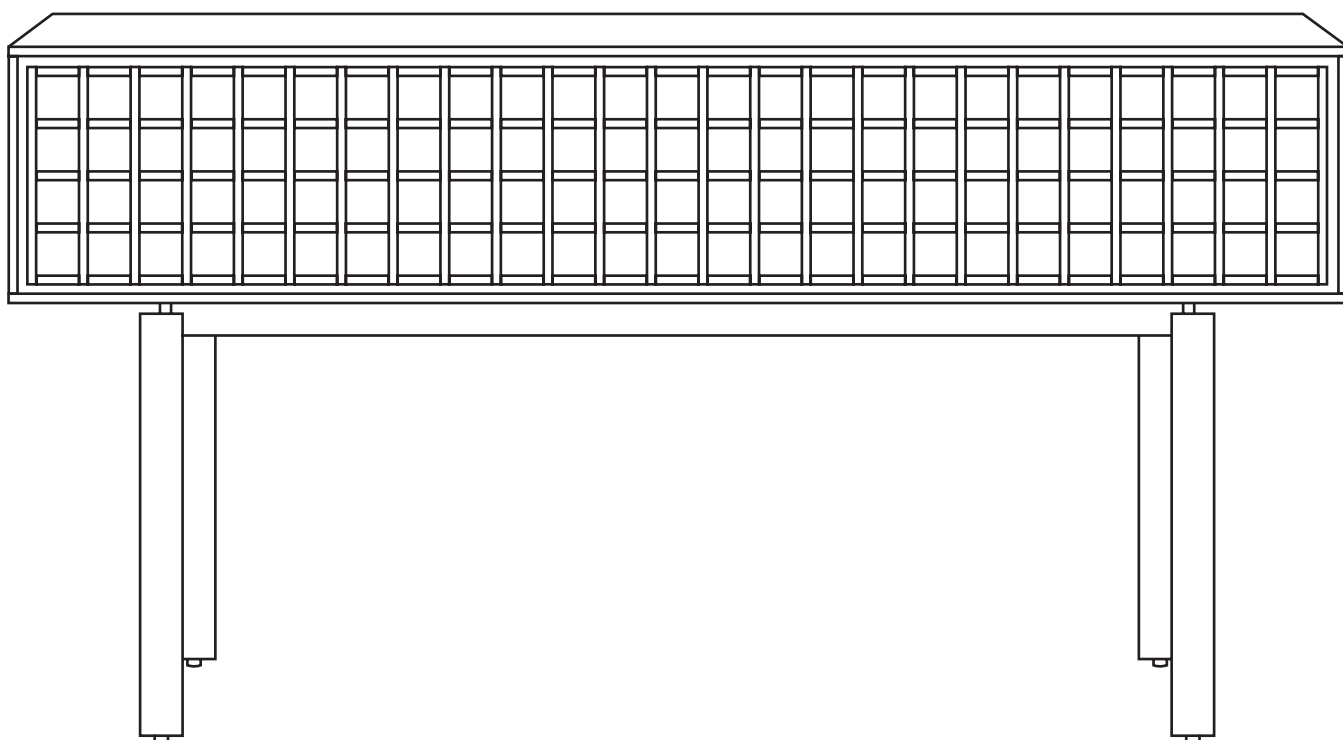


INTERVAL™ 7246

CONSOLE

INSTRUCTION MANUAL

LET'S GET STARTED.



DESIGN BY AL GLASS AND MATTHEW WEATHERLY

BDi

BDIUSA.COM



Congratulations on the purchase of your Interval Console from BDI. Your console has been designed to provide a lifetime of enjoyment. This manual will provide you with assembly instructions and other helpful information to ensure that you get the most out of your product. Please save it for future reference.

Your Interval Console has been engineered for simple assembly. Please follow these directions carefully to prevent any damage.

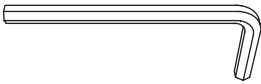
Should you need further assistance, contact BDI at customerservice@bdiusa.com.

ENJOY!

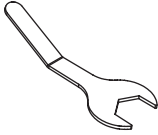
HARDWARE AND COMPONENTS

Unpack and identify the parts listed below. The assembly workspace should be a non-marring surface such as carpet. Do not use power tools for the assembly of this product.

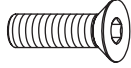
For missing hardware pieces, please contact BDI Customer Service at customerservice@bdiusa.com.



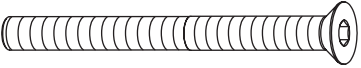
PART #	T1
DESCRIPTION	Hex Wrench
QUANTITY	1



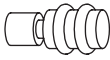
PART #	T2
DESCRIPTION	Leveler Wrench
QUANTITY	1



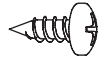
PART #	H1
DESCRIPTION	M6 x 20mm Screw
QUANTITY	8



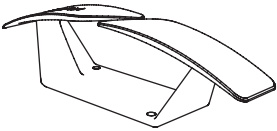
PART #	H2
DESCRIPTION	M6 x 65mm Screw
QUANTITY	8



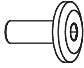
PART #	H3
DESCRIPTION	Shelf Pin
QUANTITY	6



PART #	H4
DESCRIPTION	Wood Screw
QUANTITY	4



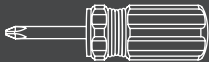
PART #	H5
DESCRIPTION	KLEET
QUANTITY	2



PART #	H6
DESCRIPTION	M6 x 16mm Screw
QUANTITY	1

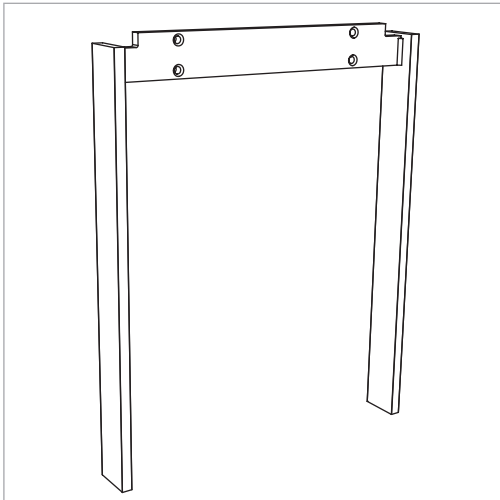


PART #	H7
DESCRIPTION	TV Safety Strap
QUANTITY	1

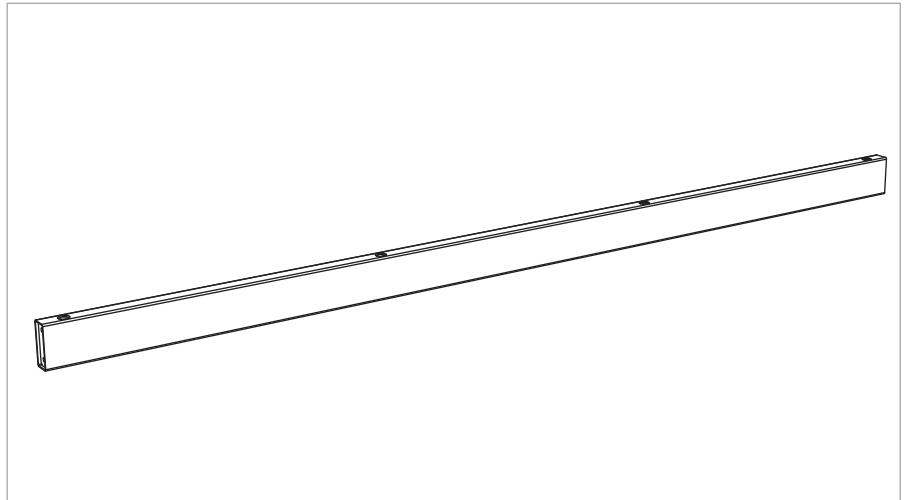


TOOL REQUIRED (NOT INCLUDED)	
Phillips Screwdriver	

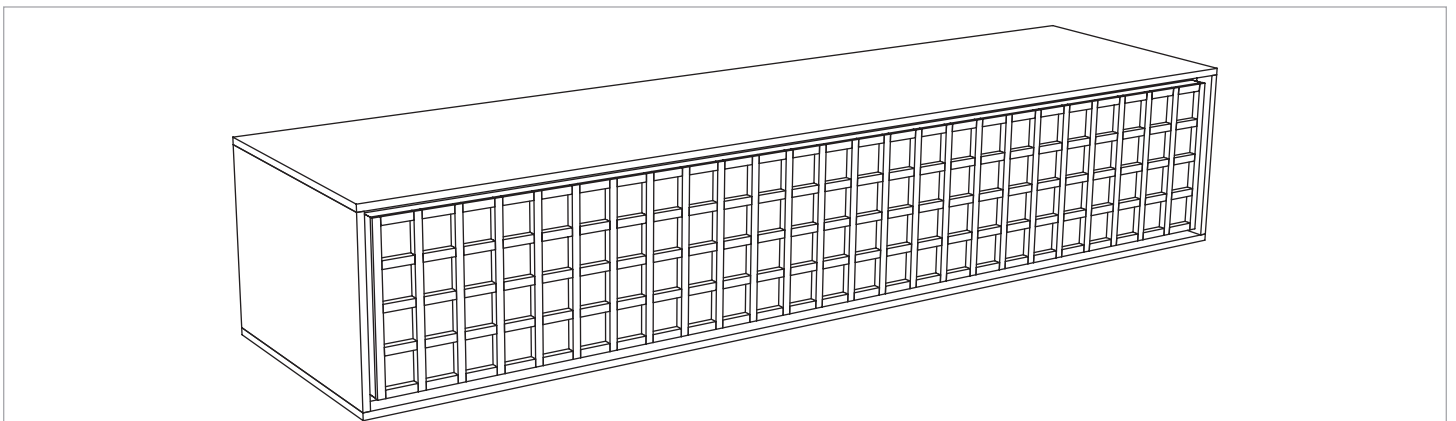
HARDWARE AND COMPONENTS



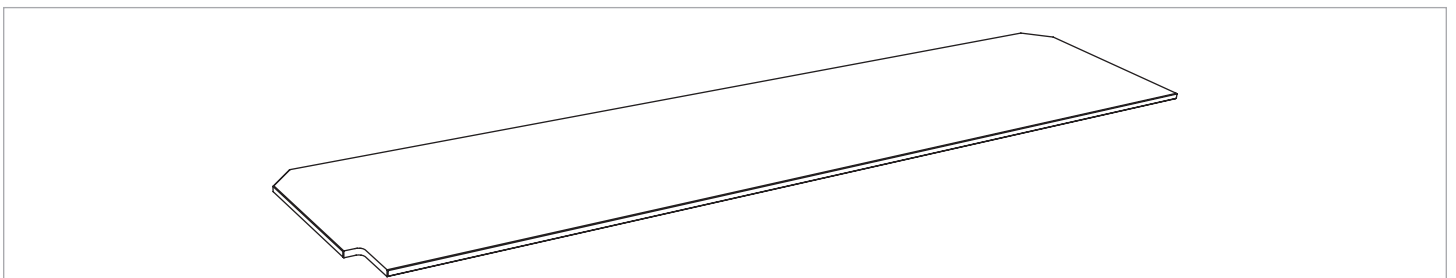
PART #	C1
DESCRIPTION	Base Leg
QUANTITY	2



PART #	C2
DESCRIPTION	Base Spanner
QUANTITY	2





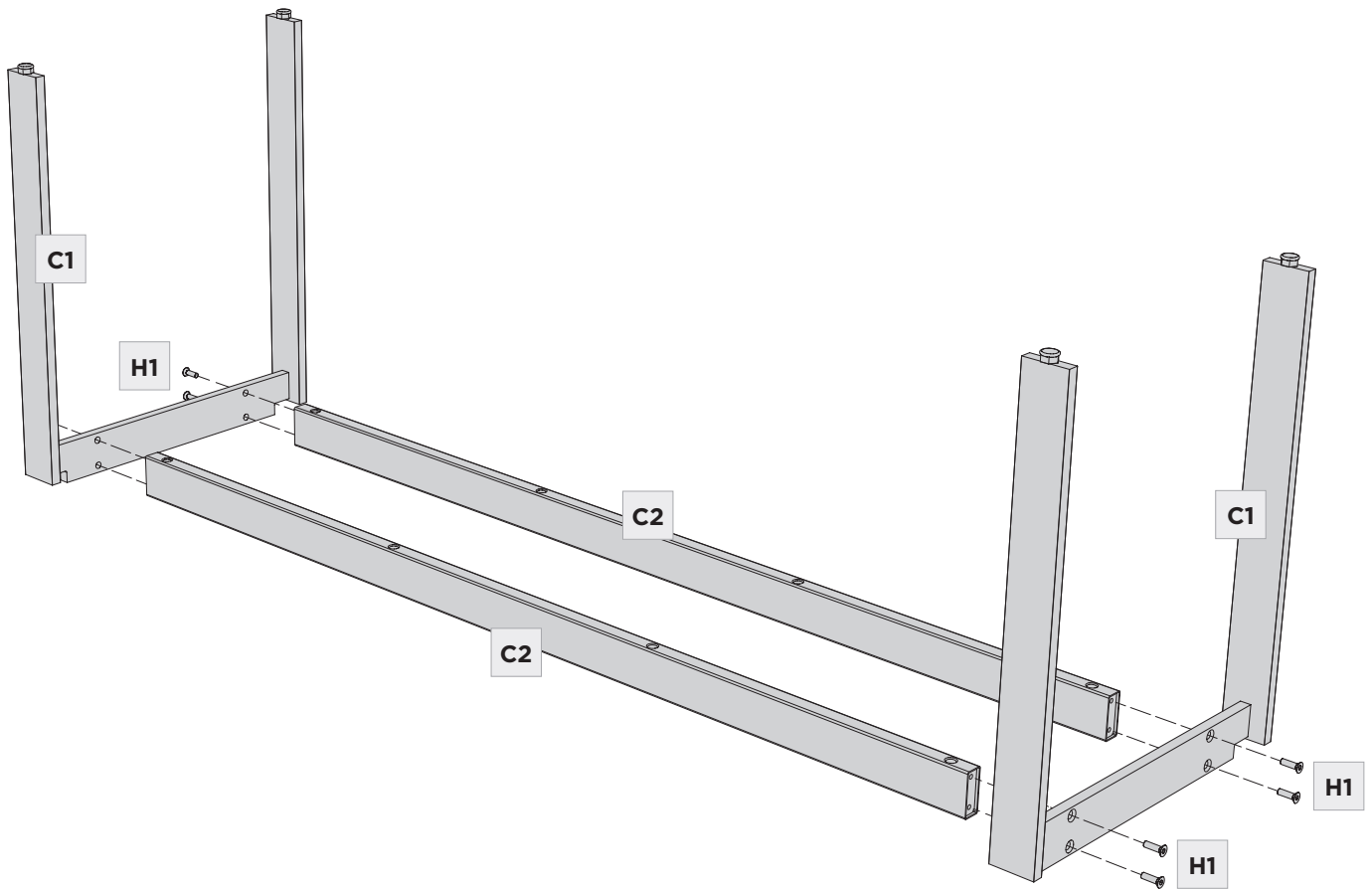
PART #	C3
DESCRIPTION	Cabinet
QUANTITY	1



PART #	C4
DESCRIPTION	Glass Shelf
QUANTITY	1

Attach **(C1) Base Legs** to **(C2) Base Spanners** using **8 (H1) Screws**. Tighten with **(T1) Hex Wrench**.

	PART/DESCRIPTION	QTY
	T1-HEX WRENCH	1
	H1-SCREW	8



STEP 2. ATTACH BASE TO CABINET

2 PERSON TASK





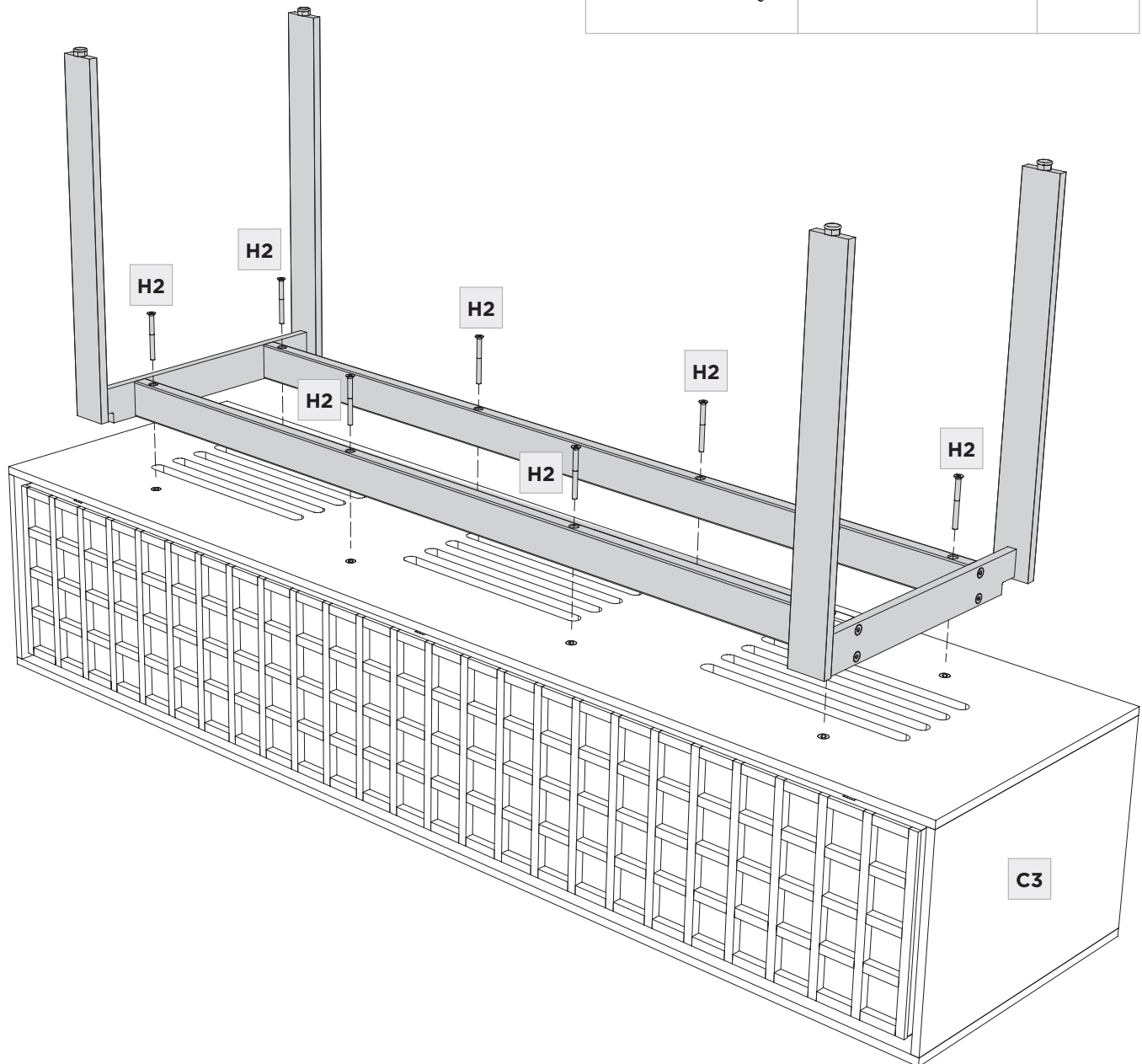
ASSEMBLY

With help from another person, carefully rotate the **(C3) Cabinet** backwards onto its top panel.

Be careful not to rest the cabinet on its door.

Attach the Base to the **(C3) Cabinet** using **8 (H2) Screws**. Tighten with **(T1) Hex Wrench**.

	PART/DESCRIPTION	QTY
	T1-HEX WRENCH	1
	H2-SCREW	8



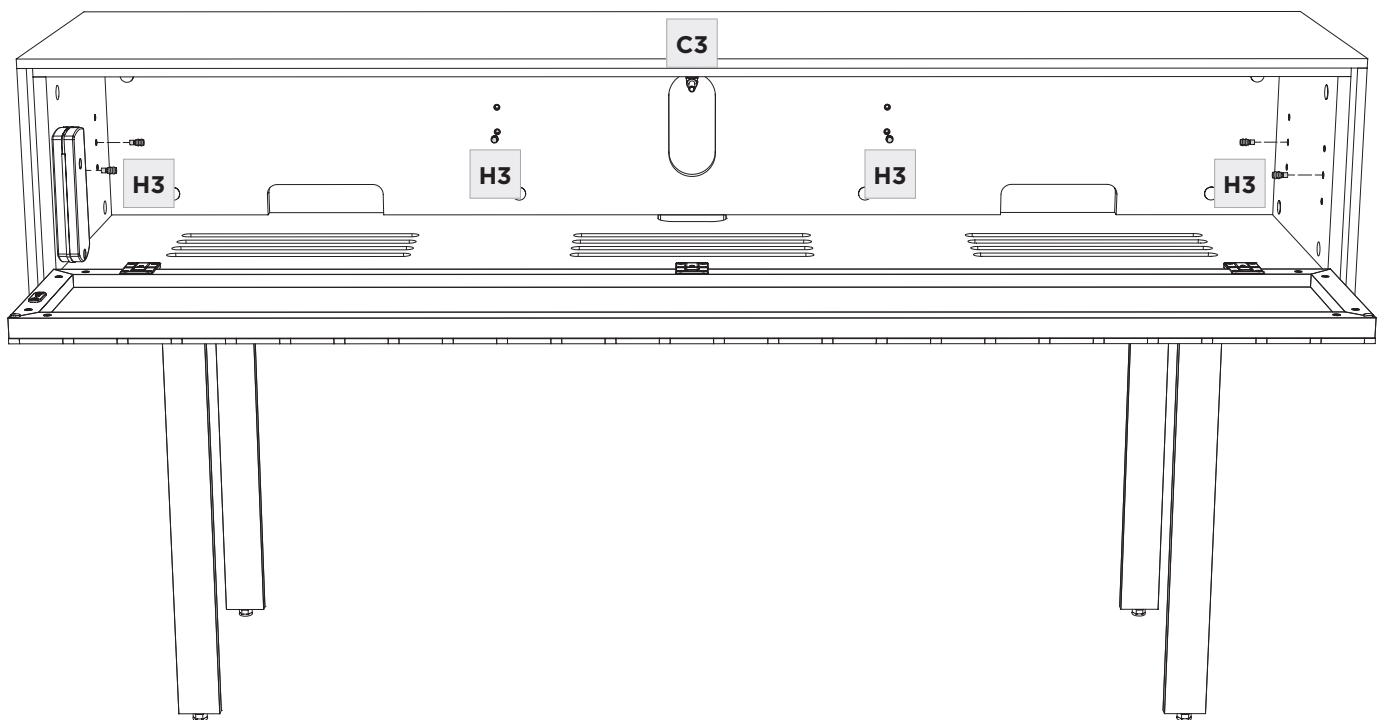


With help from another person, carefully position the Cabinet onto its base as shown.

Install the **6 (H3) Shelf Pins** by screwing them into the threaded inserts on the inside of the **(C3) Cabinet**.

	PART/DESCRIPTION	QTY
	H3-PINS	6

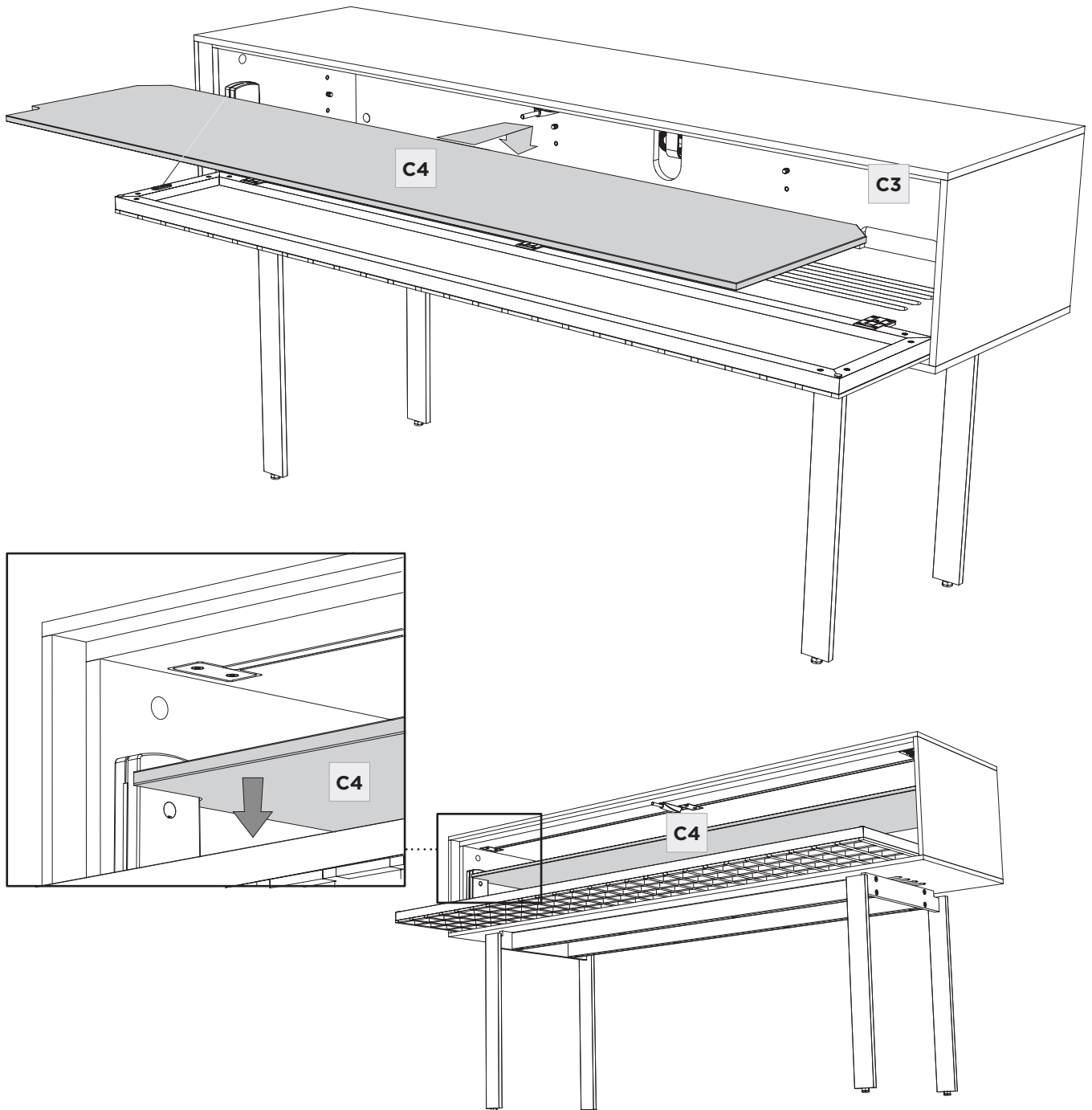
NOTE: Install the Shelf Pins for the **(C4) Glass Shelf** in the threaded inserts that correspond with the desired position of the shelf.



STEP 4. INSTALL GLASS SHELF



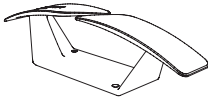
ASSEMBLY

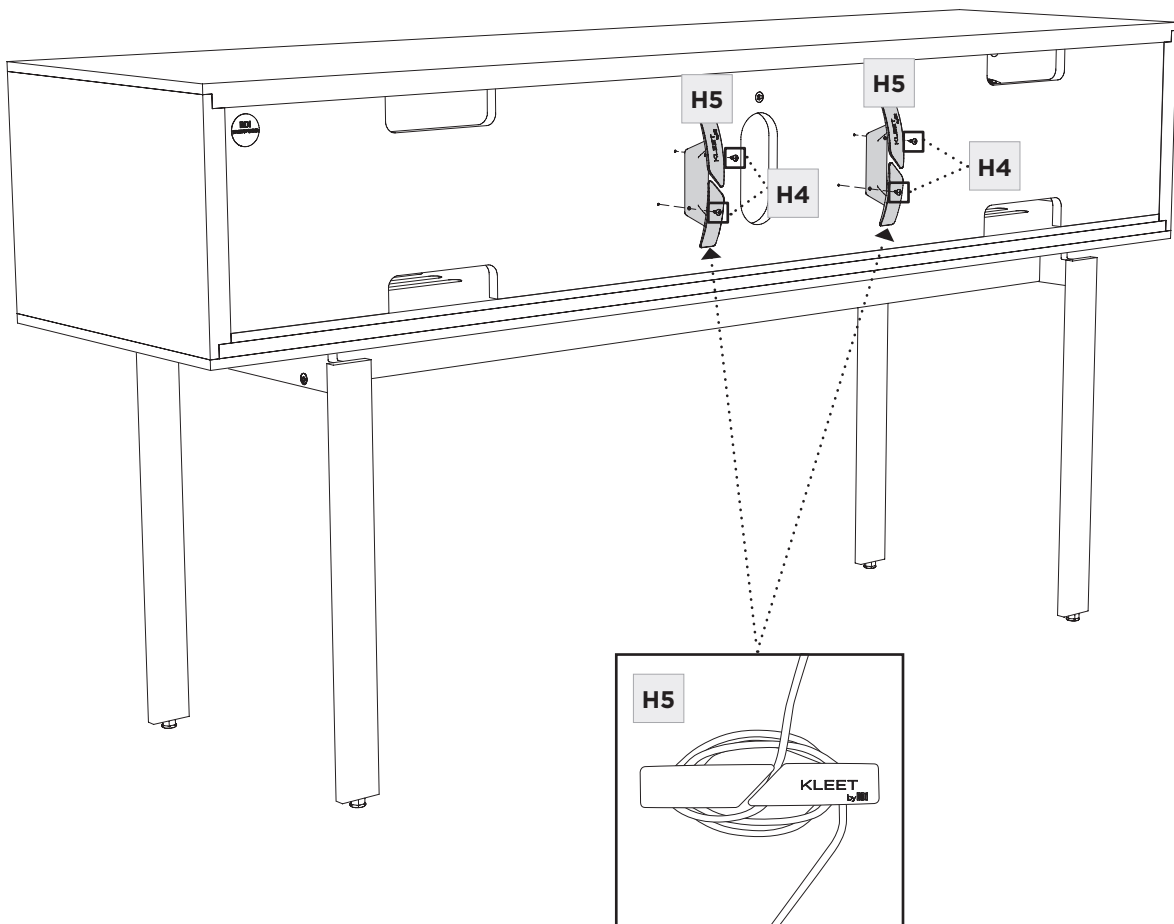
Carefully place the **(C4) Glass Shelf** into the **(C3) Cabinet**. Lift the shelf over the winch mechanism and gently lower it into position, resting on the shelf pins.



Your Interval Media Console comes with **2 (H5) KLEET Cord Wraps** which can be used for cord management.

Attach the **(H5) KLEET Cord Wraps** using the **(H4) Wood Screws**. Tighten with **Phillips Screwdriver (not included)**.

	PART/DESCRIPTION	QTY
	NOT INCLUDED Phillips Screwdriver	1
	H4-SCREW	4
	H5-KLEET	2


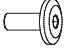



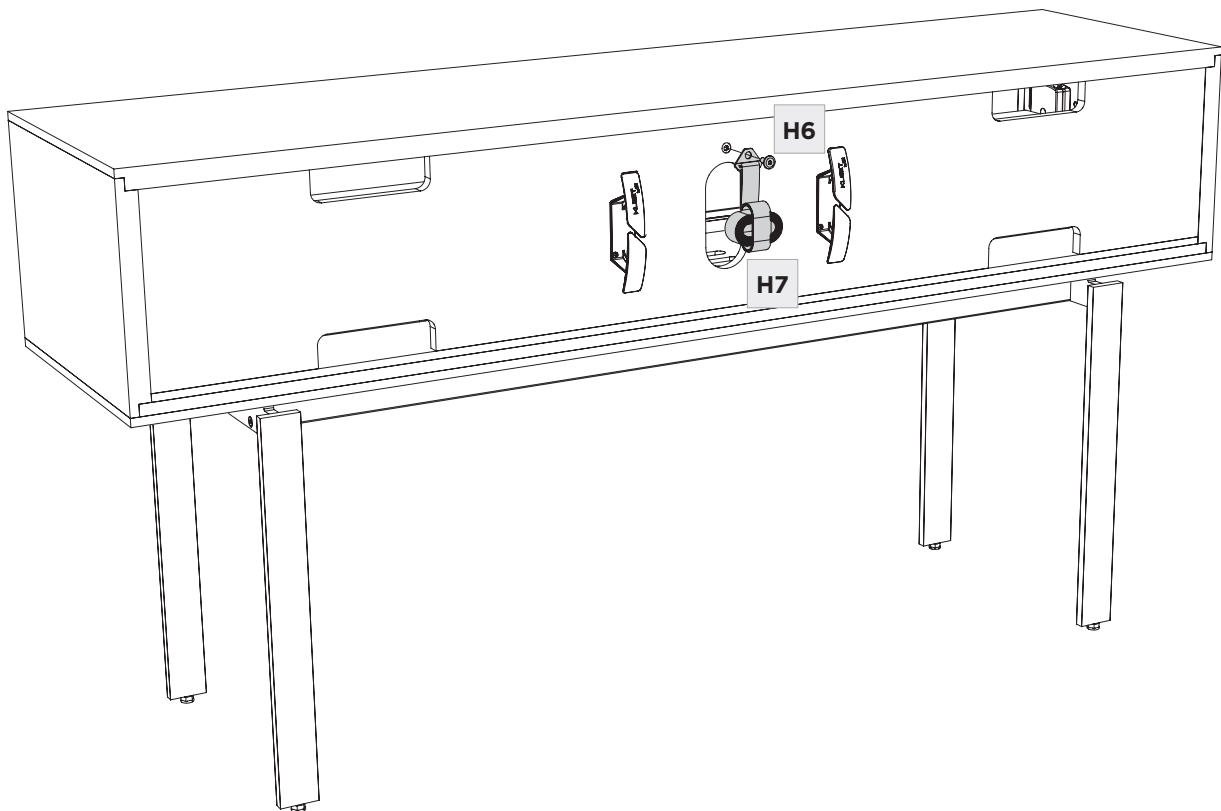
Use the KLEET for wire management

STEP 6. INSTALL TV SAFETY STRAP (IF NEEDED)

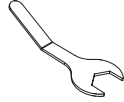
ASSEMBLY

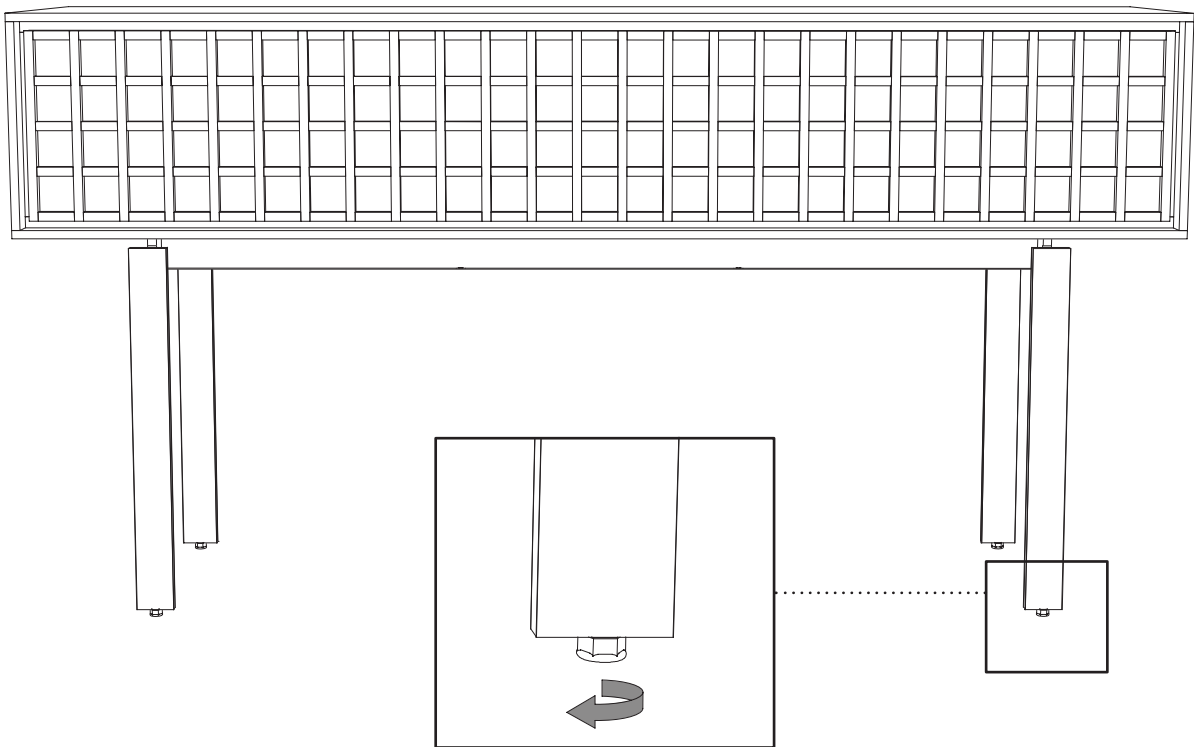
If you intend to place a TV on your Interval Media Console, it is **strongly recommended** that you use the TV Safety Strap. Attach the **(H7) TV Safety Strap** to the insert in the back panel of the media console using the **(H6) Screw** using the **(T1) Hex Wrench**. Unravel the bundle and follow the instructions on the hang tag to attach the 2 free ends of the strap to your TV.

	PART/DESCRIPTION	QTY
	T1-HEX WRENCH	1
	H6-SCREW	1
	H7-TV SAFETY STRAP	1

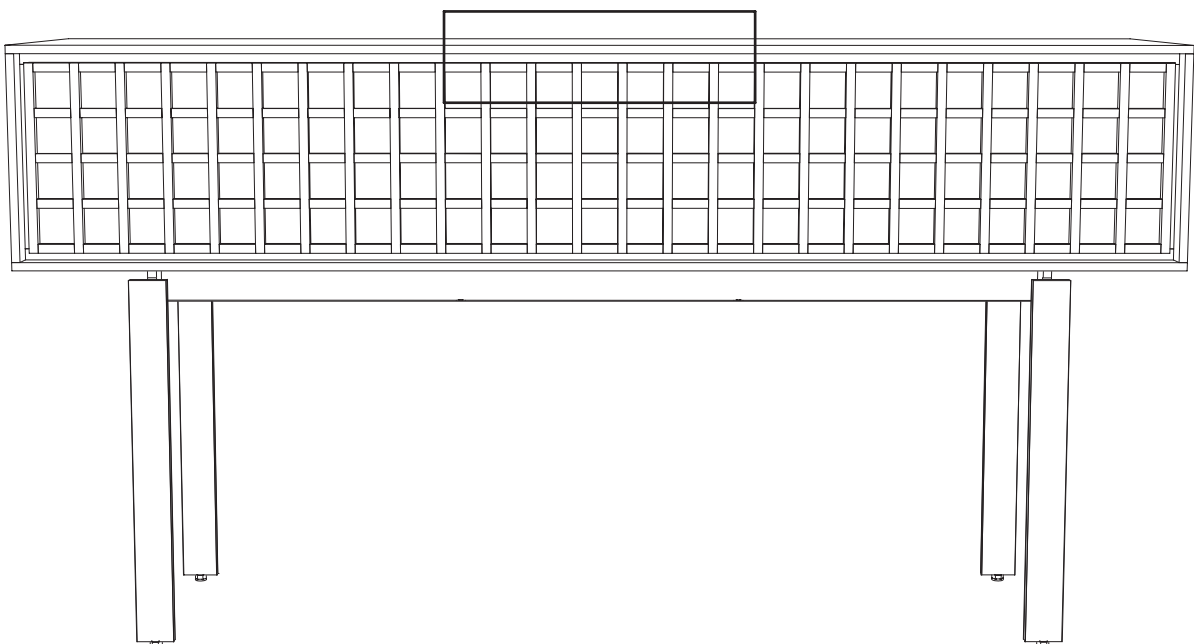


Make sure the console is level. Adjust one or more of the levelers using **(T2) Leveler Wrench**.

	PART/DESCRIPTION	QTY
	T2-LEVELER WRENCH	1



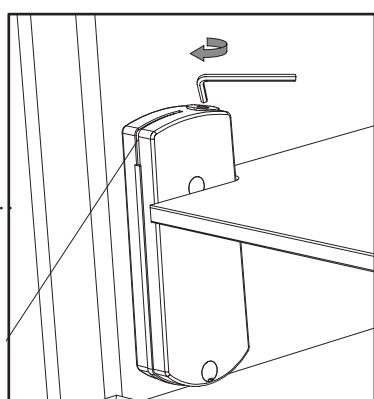
Your Interval Media Console features a push-to-open, drop-down soft open door. It is intended to be opened by gently pushing on the top of the door in the center 2" section of the door.



The hinges should not require adjusting. If the gap between the door and cabinet is uneven the hinges can be adjusted. Remove the cover using a **slotted screwdriver (not included)** to access the adjustment screws (see below).

Your door should come pre-adjusted to open completely level. If you need to adjust the door opening angle, do so by inserting a **5mm Hex Wrench (not included)** into the hole above the cable on the mechanism. Turn the wrench clockwise to lift the door up, turn the wrench counter-clockwise to lower the door. Adjust the mechanism until the open door is level with the ground.

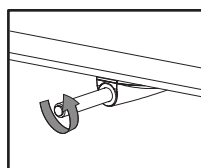
If you wish to adjust the push latch, twist the plunger while it's in the extended position. Turning it clockwise will adjust the push latch in, and turning it counter-clockwise will adjust the push latch out. This will adjust the closed position of the door.



DOOR OPENING

Clockwise = lift door up

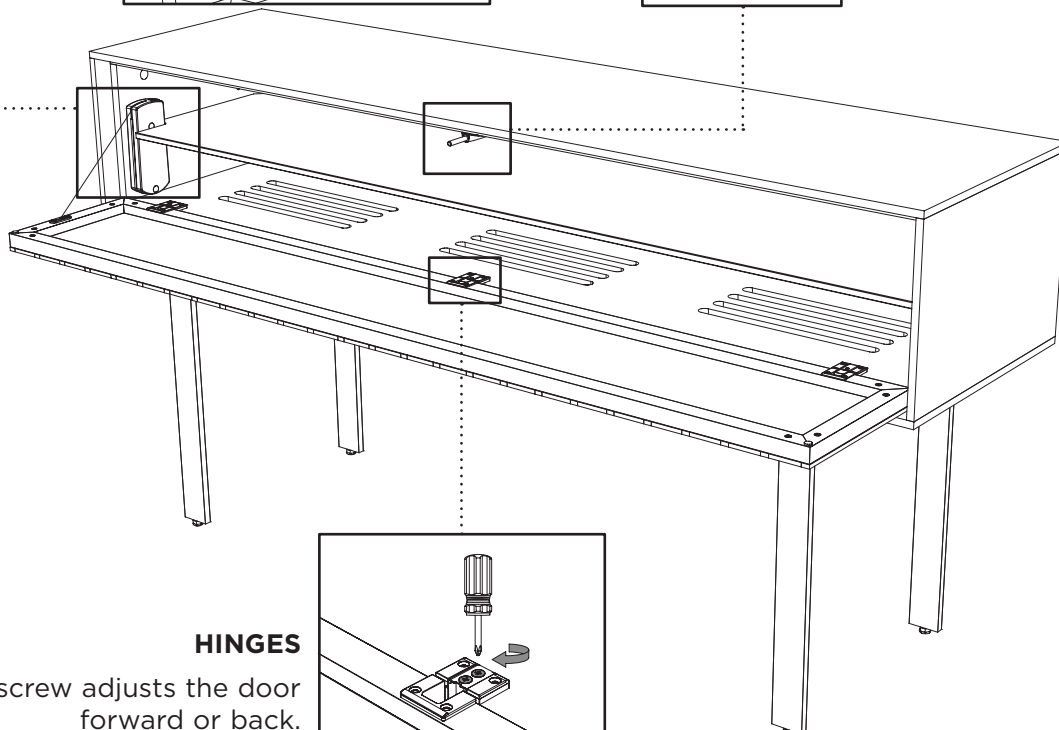
Counter-clockwise = lower door



PUSH LATCH

Clockwise = latch in

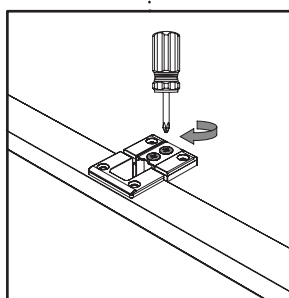
Counter-clockwise = latch out



HINGES

The back screw adjusts the door forward or back.

The front screw adjusts the door up or down.



CARE & MAINTENANCE

Your BDI furniture has been constructed with the finest materials, manufactured with care and is designed to last a lifetime. Regular care of your furniture will prolong your enjoyment and keep it looking its best. Here are some general tips for taking care of BDI furniture. Your surfaces may vary.

GLASS

The glass surface is maintained using household glass cleaner and a paper towel or cloth.

SATIN-ETCHED GLASS

This uniquely smooth-to-the-touch glass surface can be regularly maintained using household glass cleaner and a paper towel or cloth. Minor scratches or scuffs not eliminated using paper towel or cloth can usually be removed by using a 'Magic Eraser'. Magic Eraser is a melamine foam product available at any grocery store or home improvement center. Dampen the entire glass surface and the Magic Eraser, then rub the entire glass surface in broad, even strokes using moderate pressure. Clean and dry the surface with a paper towel. Check for results and repeat as necessary.

Any scratches or scuffing not eliminated by one of the above methods can often be addressed by 'refreshing' the glass. This is a process that should not be required more than once per 6-12 months. See this brief video for the simple method: www.bdiusa.com/glass

WOOD

Wood surfaces should be cleaned with a slightly damp (not saturated) cloth or paper towel. Do not use glass cleaner on wood. If moisture remains, dry the surface with another cloth. If needed, a gentle non-abrasive cleanser may be used, but be sure to wipe away all cleaner residue and dry the surface with a cloth.

BDI's wood finishes feature natural hardwood solids and veneers. Wood is a product of nature and—unlike man-made materials that can be manufactured to strict and consistent specifications—has natural imperfections that are part of its appeal and character. Every piece of wood differs from every other, even when coming from the very same tree. As such, variation in grain, texture and tone should be expected from one panel or piece of furniture to the next.

While BDI's stained wood finishes are stable in tone & appearance, all finishes are subject to some degree of discoloration with prolonged exposure to direct sunlight. Please take care to avoid positioning your BDI cabinet in any area with extensive direct sunlight. To learn more about the features of natural wood, visit www.bdiusa.com/wood

METAL, PORCELAIN, & PAINTED SURFACES

Surfaces should be cleaned with a slightly damp (not saturated) cloth or paper towel. If moisture remains, dry the surface with another cloth. If needed, a gentle non-abrasive cleanser may be used, but be sure to wipe away all cleaner residue and dry the surface with a cloth.

WARRANTY

BDI warrants to the original purchaser that for the below-stated warranty term, BDI will repair or replace any product, part, or component covered by this warranty that fails under normal use as a result of a defect in material or workmanship. BDI will repair or replace the aforementioned product, part or component with a comparable product, part or component. The decision to repair or replace will be at BDI's sole discretion.

BDI Home Theater Furniture, Office Furniture, Modular Systems, Tables, and other furniture pieces are warranted for three (3) years from the date of purchase as shown on your sales receipt. The warranty period starts from the date of purchase. This warranty extends only to the original purchasers who acquire new products from BDI Authorized Resellers. Any product, part, or component must have been assembled, installed, used, and maintained according to BDI's published instructions to be eligible for warranty coverage. Any modification to the original product voids the warranty.

To view BDI's complete warranty information, visit www.bdiusa.com/warranty

PRODUCT REGISTRATION

Registering your new BDI product allows us to send you important product updates, service information, and helpful hints related to your BDI products. Register today, and you will be entered to win free a BINK table from BDI: www.bdiusa.com/register



WARNING

SERIOUS OR FATAL CRUSHING INJURIES CAN OCCUR FROM FURNITURE TIP-OVER. TO HELP PREVENT TIP-OVER:

- Install tip-over restraint.
- Place heaviest items in lower compartments.
- Never allow children to climb or hang on drawers, doors, or shelves.
- Never open more than one drawer at a time.

USE OF TIP-OVER RESTRAINT MAY REDUCE—BUT NOT ELIMINATE—THE RISK OF TIP-OVER.



BDIUSA.COM

These distinctive product configurations are protected by US and international patents, trade dress, and/or copyright laws. Interval & BDI are trademarks of Becker Designed, Inc. All rights reserved. ©2022, BDI | V.03.31.2021

Made in China.