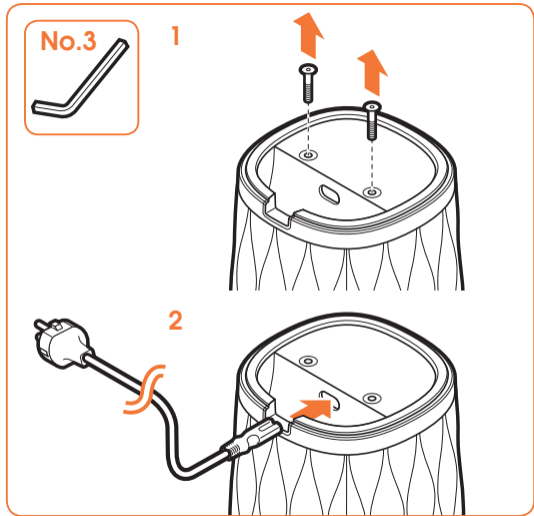
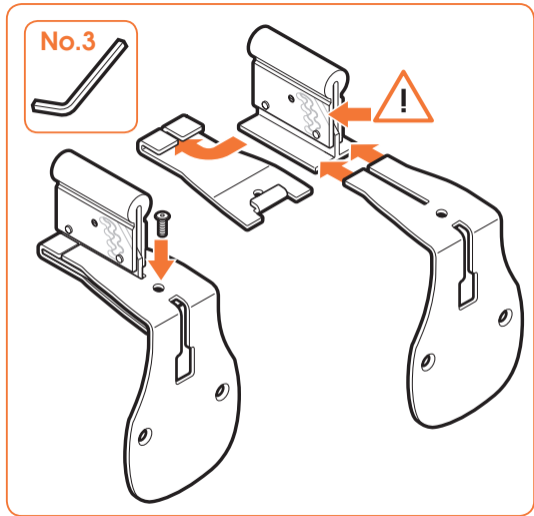


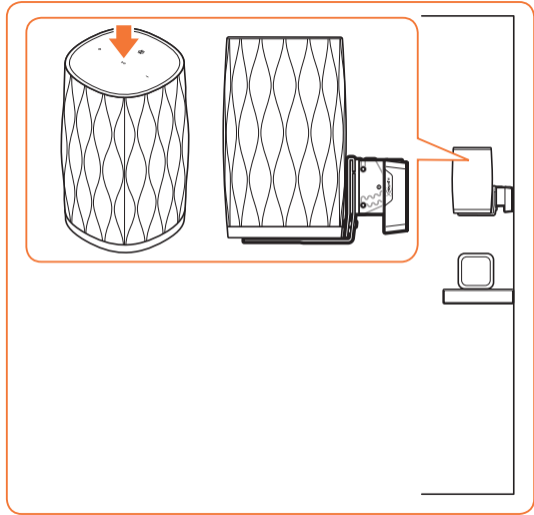
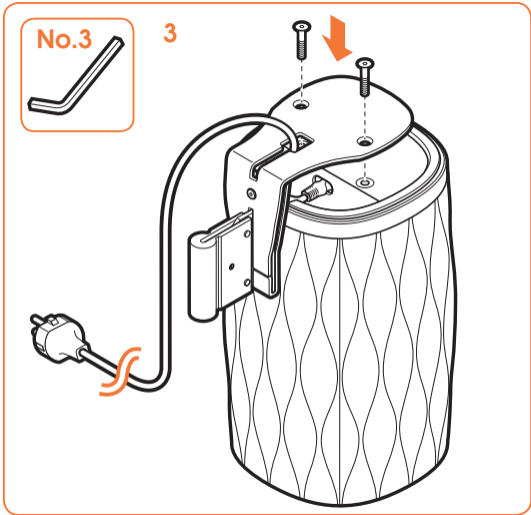


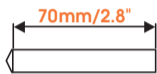
SOUND 6201

Fits Bowers & Wilkins Formation Flex (Max. weight load = 3 kg)

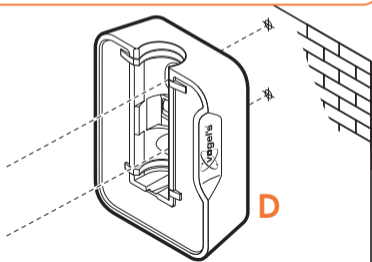
More information on: www.vogels.com



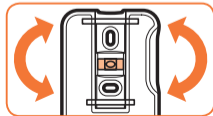
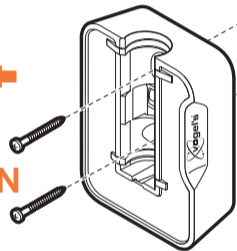


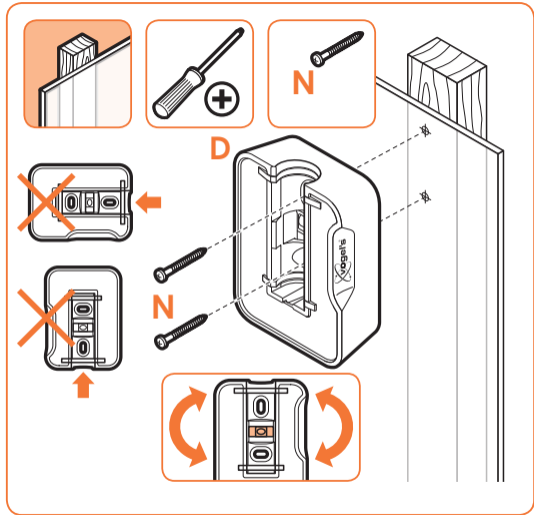
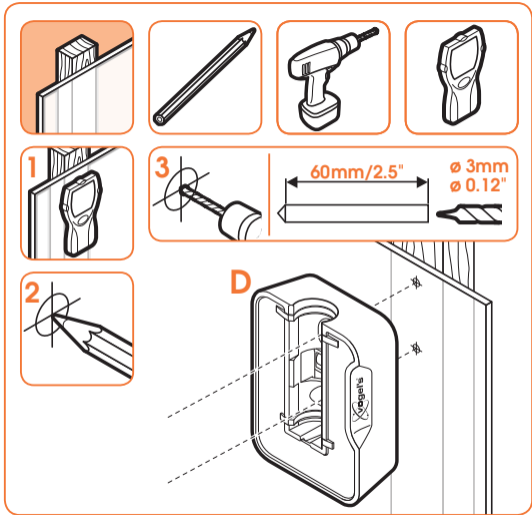


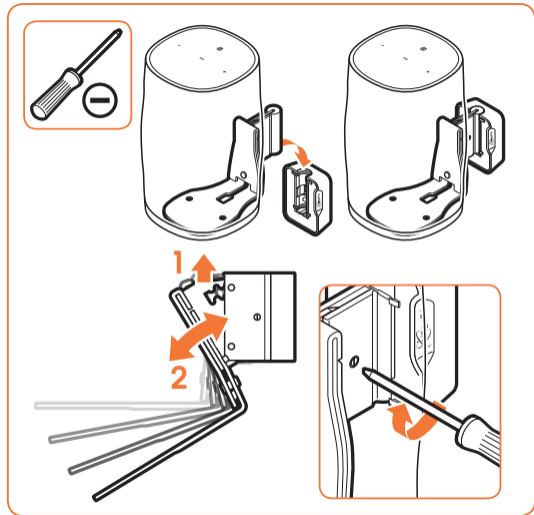
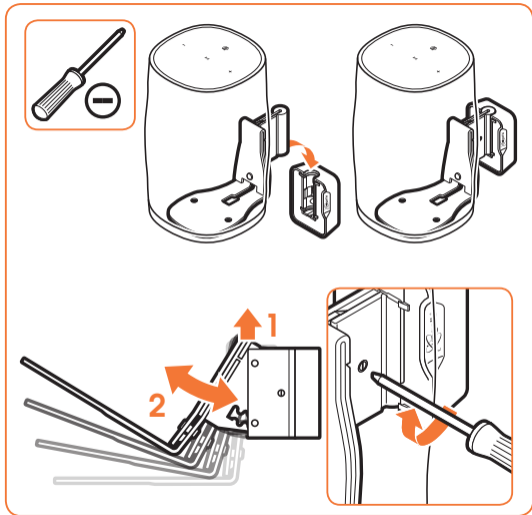
ø 8mm
ø 5/16" = 0.315"



N









www.vogels.com

Vogel's Holding BV 2020 © All rights reserved