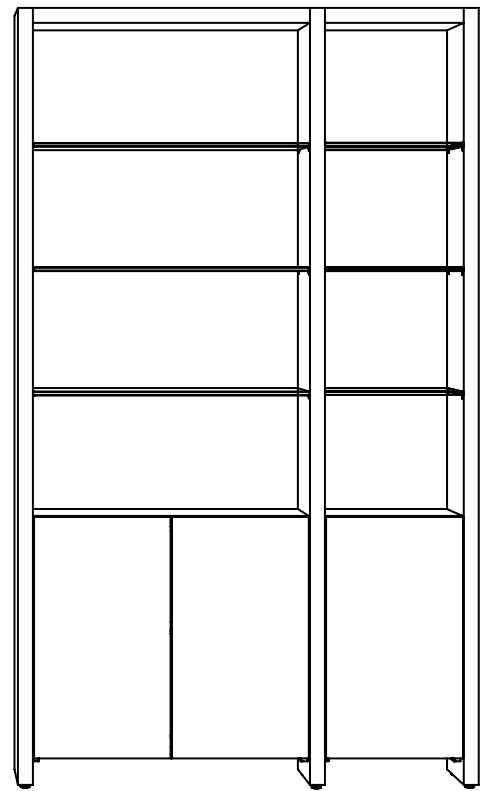
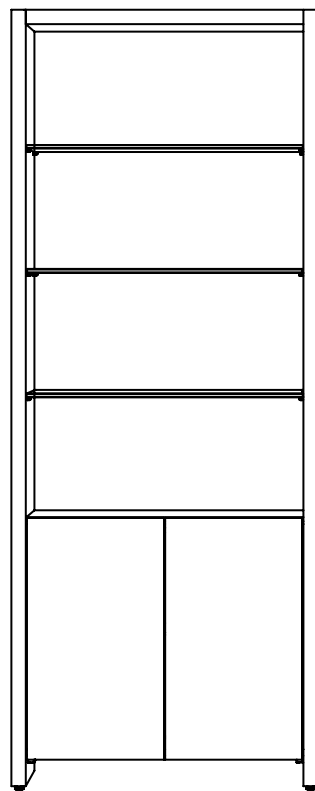
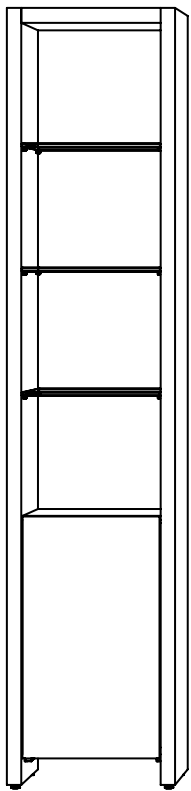


LINEA™ 5801(A)/5802(A)

SHELVING

INSTRUCTION MANUAL

LET'S GET STARTED.



DESIGN MATTHEW WEATHERLY

BDi

BDIUSA.COM



Congratulations on the purchase of your Linea Shelving 5801(A) / 5802(A) from BDI. Your shelving has been designed to provide a lifetime of enjoyment. This manual will provide you with assembly instructions and other helpful information that will ensure that you get the most out of your shelving. Please save it for future reference.

Your Linea shelving has been engineered for simple assembly. Please follow these directions carefully to prevent any damage.

Should you need further assistance, contact BDI at customerservice@bdiusa.com.

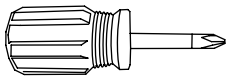
ENJOY!

HARDWARE AND COMPONENTS

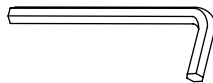
Unpack and identify the parts listed below. Note that some components are shipped inside the cabinet. The assembly workspace should be a non-marring surface such as carpet. For missing hardware pieces, please contact BDI Customer Service at customerservice@bdiusa.com.

Do not use power tools for assembly of this product.

For all other concerns, please contact your BDI retailer.



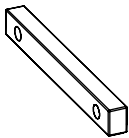
PART #	T1
DESCRIPTION	Phillips Screwdriver
QUANTITY	1



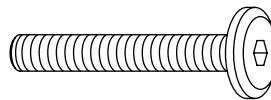
PART #	T2
DESCRIPTION	Hex Wrench
QUANTITY	1



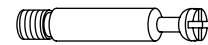
PART #	T3
DESCRIPTION	Leveler Wrench
QUANTITY	1



PART #	C3
DESCRIPTION	Cabinet Block
QUANTITY	2 per unit



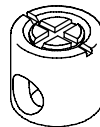
PART #	H1
DESCRIPTION	M6 x 30mm Screw
QUANTITY	12 per unit



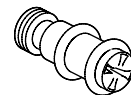
PART #	H2
DESCRIPTION	Cam Bolt
QUANTITY	4 per unit



PART #	H3
DESCRIPTION	Wooden Dowel
QUANTITY	8 per unit

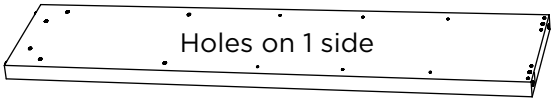


PART #	H4
DESCRIPTION	Barrel Nut
QUANTITY	4 per unit

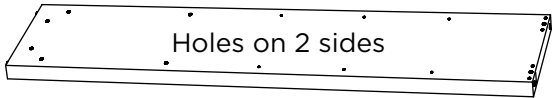


PART #	H11
DESCRIPTION	Shelf Pin
QUANTITY	16 per unit

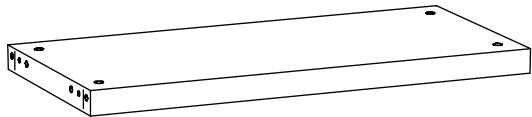
HARDWARE AND COMPONENTS



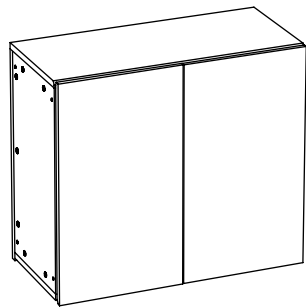
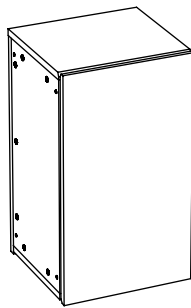
PART #	C1
DESCRIPTION	End Panel
QUANTITY	2 per Base Unit



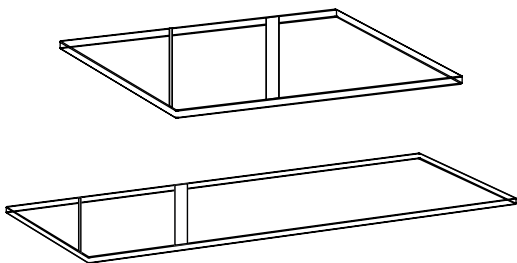
PART #	C2
DESCRIPTION	Inner Panel
QUANTITY	1 per extension unit



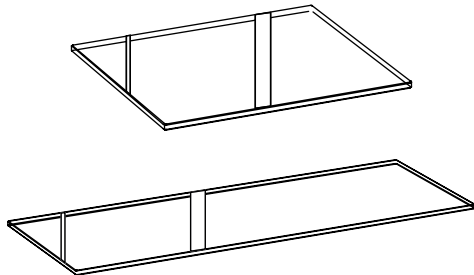
PART #	C4
DESCRIPTION	Top Panel
QUANTITY	1 per unit



PART #	C5
DESCRIPTION	Cabinet
QUANTITY	1 per unit



PART #	C6
DESCRIPTION	Outer Glass Shelf
QUANTITY	3 per unit



PART #	C7
DESCRIPTION	Inner Glass Shelf
QUANTITY	1 per unit

HARDWARE AND COMPONENTS

Wall Mounting Kit



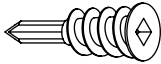
PART #	H5
DESCRIPTION	Wall Bracket
QUANTITY	2



PART #	H6
DESCRIPTION	Cabinet bracket
QUANTITY	2



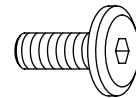
PART #	H7
DESCRIPTION	Fastener Screw
QUANTITY	4



PART #	H8
DESCRIPTION	Sheetrock Anchor
QUANTITY	4



PART #	H9
DESCRIPTION	Plaster/block Anchor
QUANTITY	4

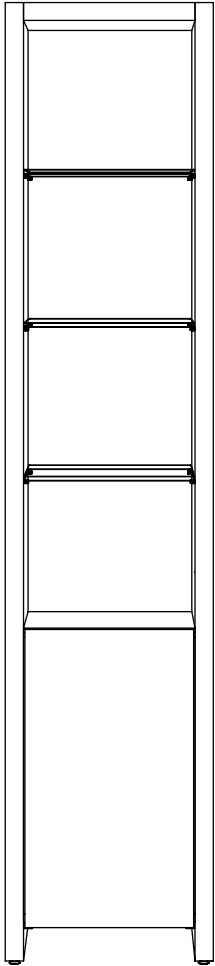


PART #	H10
DESCRIPTION	Bracket Screw
QUANTITY	2

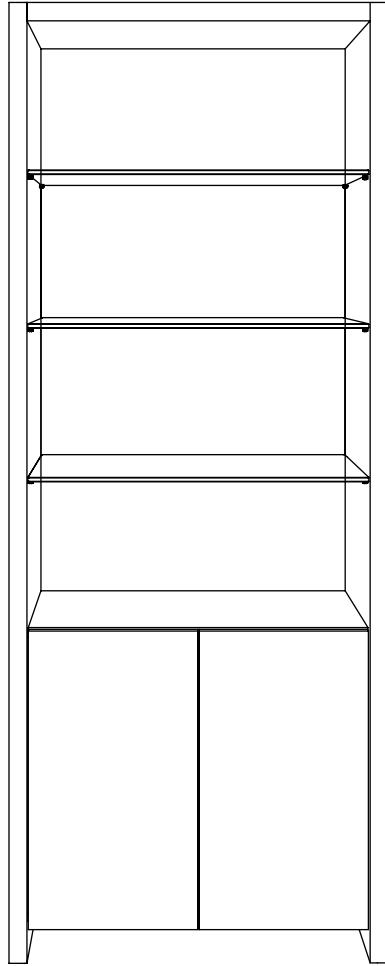
SINGLE OR MULTIPLE UNITS

Linea can be configured as stand alone units, or multiple combinations of narrow and wide units.

GO TO **PAGE 8**

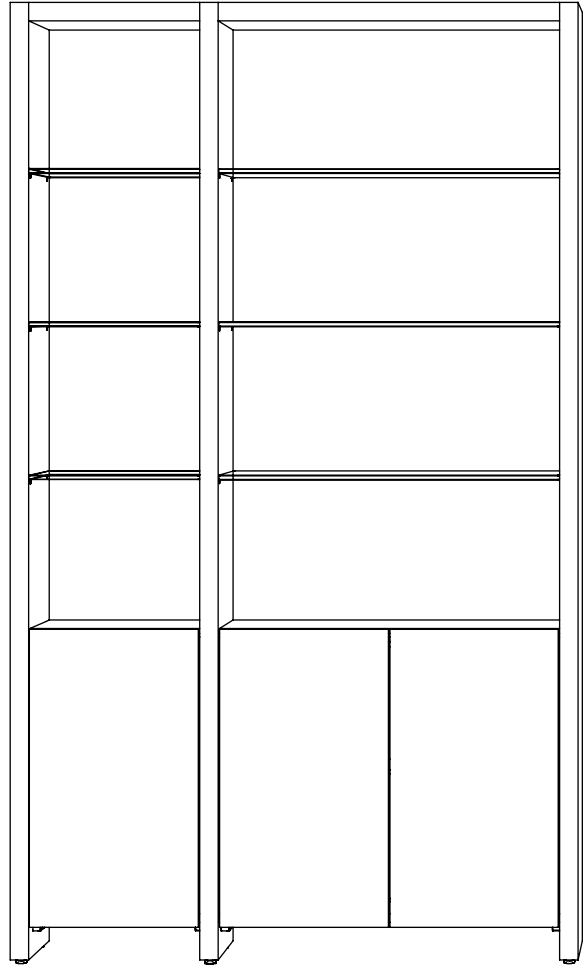


5801




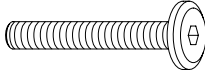
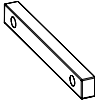
5802

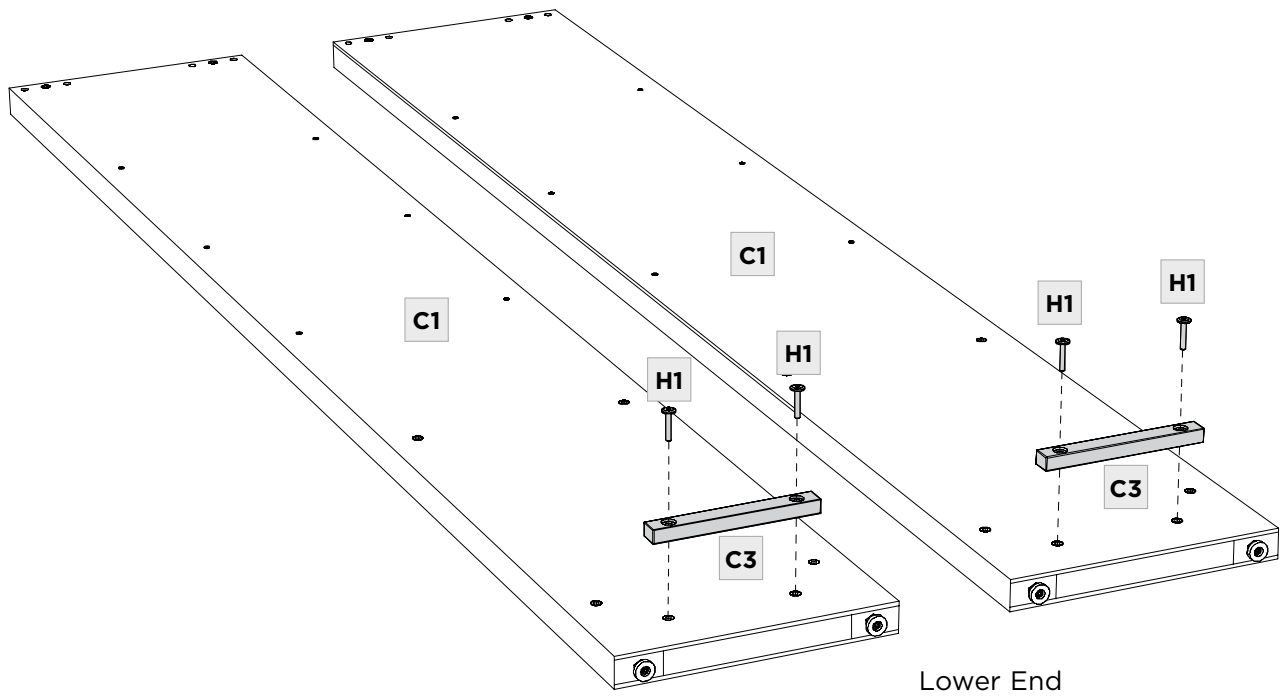
GO TO **PAGE 20**



5801/5802 + 5801A/5802A
or other multi-unit combinations

Attach **1 (C3) Cabinet Block** to each **(C1) End Panel** using **(H1) Screws** and **(T2) Hex Wrench**.

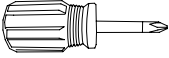
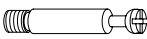

	PART/DESCRIPTION	QTY
	T2-HEX WRENCH	1
	H1-SCREW	4
	C3-CABINET BLOCK	2

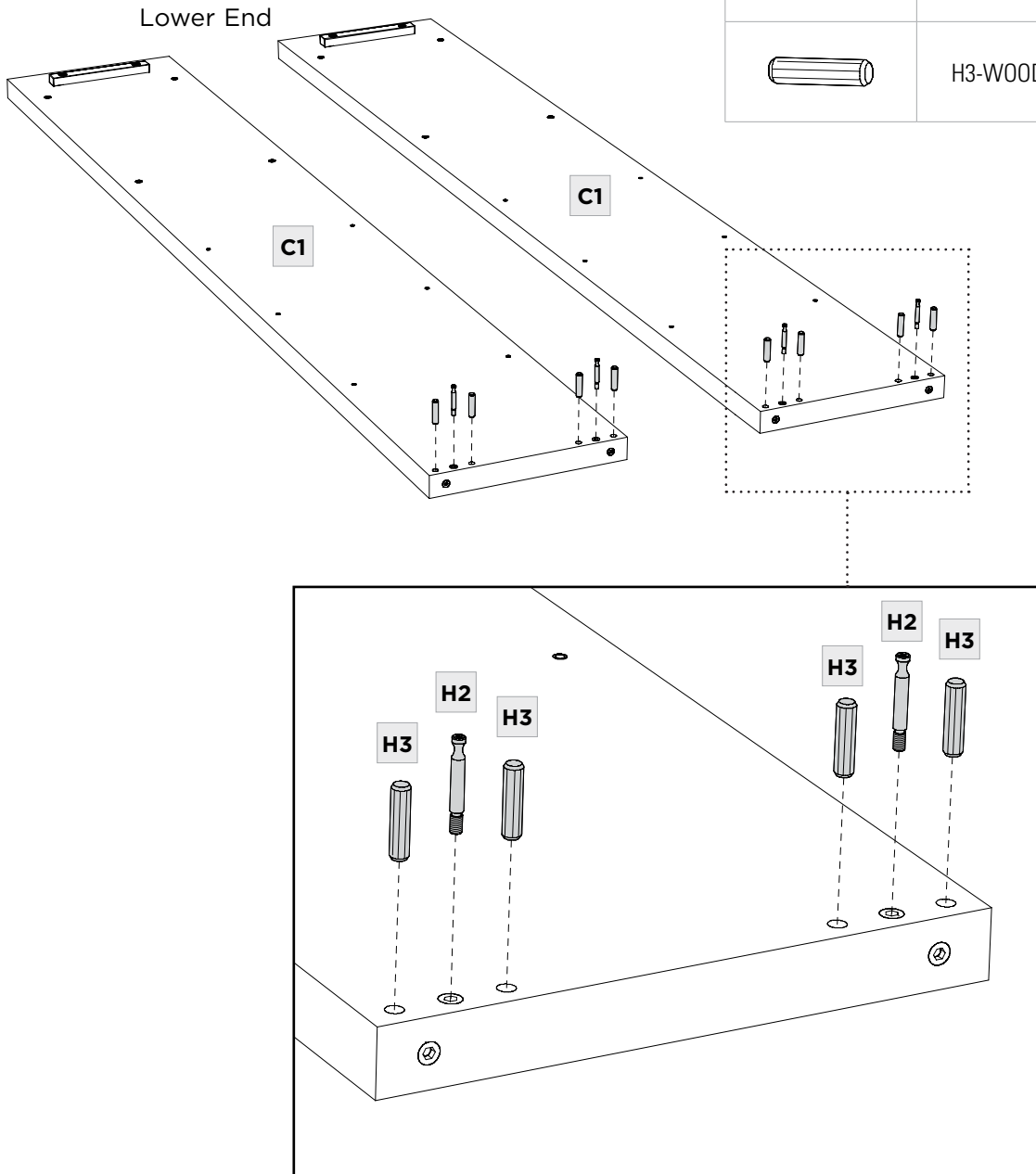


STEP 2. INSTALL CAMS AND DOWELS


ASSEMBLY

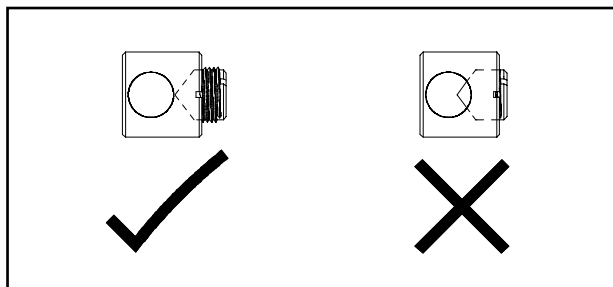
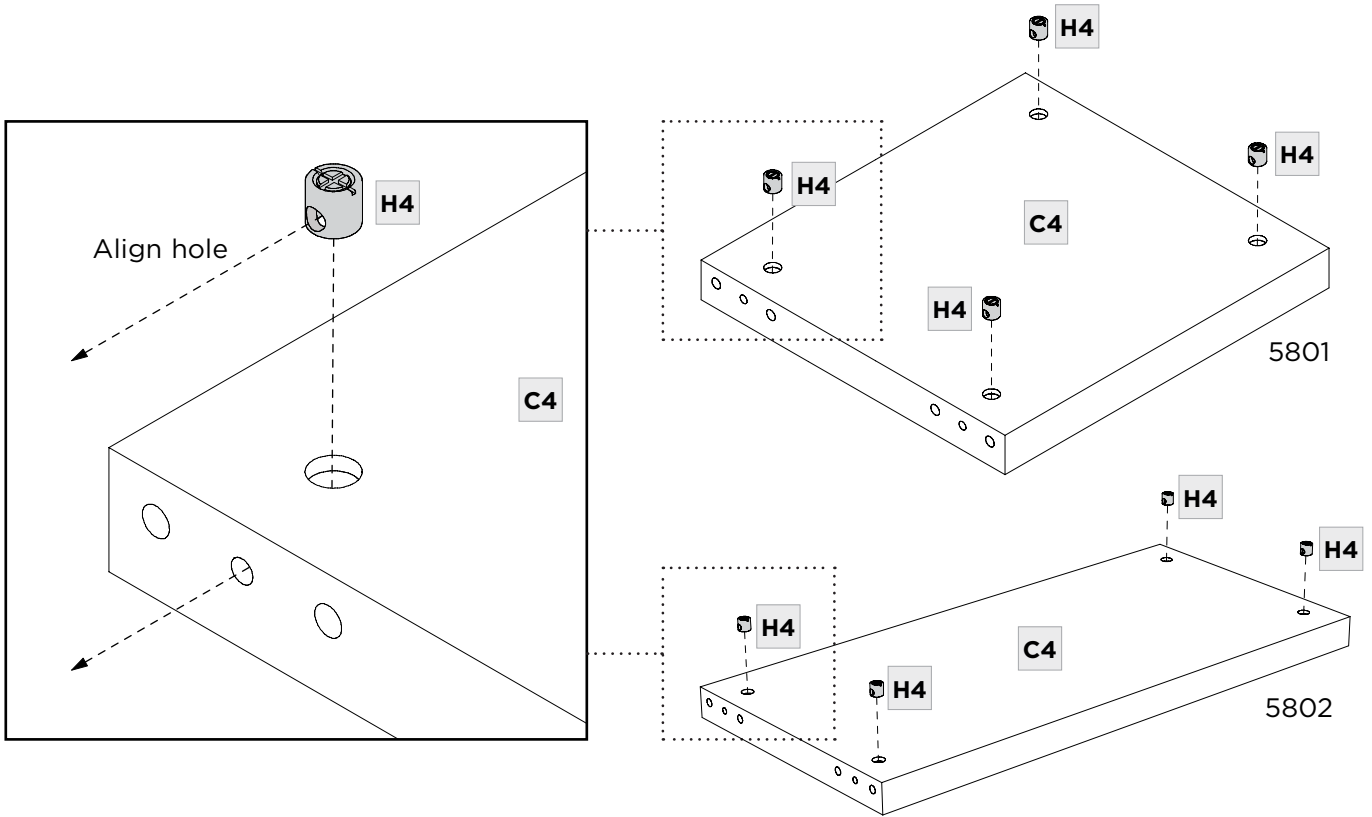
Find the sets of 3 holes near the top edge of the **(C1) Side Panels**. Screw **(H2) Cam Bolts** into the threaded holes using **(T1) Phillips Screwdriver** and push **(H3) Wooden Dowels** into the outer holes.

	PART/DESCRIPTION	QTY
	T1-PHILLIPS SCREWDRIVER	1
	H2-CAM BOLT	4
	H3-WOODEN DOWEL	8



Insert **4 (H4) Barrel Nuts** into the holes on the top of the **(C4) Top Panel** making sure that the hole on the side of the barrel nuts align with the holes on the edges of the panel.

	PART/DESCRIPTION	QTY
	H4-BARREL NUT	4



NOTE: Look into side hole of the barrel nuts and make sure the set screw is not blocking the hole.

If the hole is blocked, unscrew set screw a few turns until the hole is clear.

This will allow the cam bolts to enter.

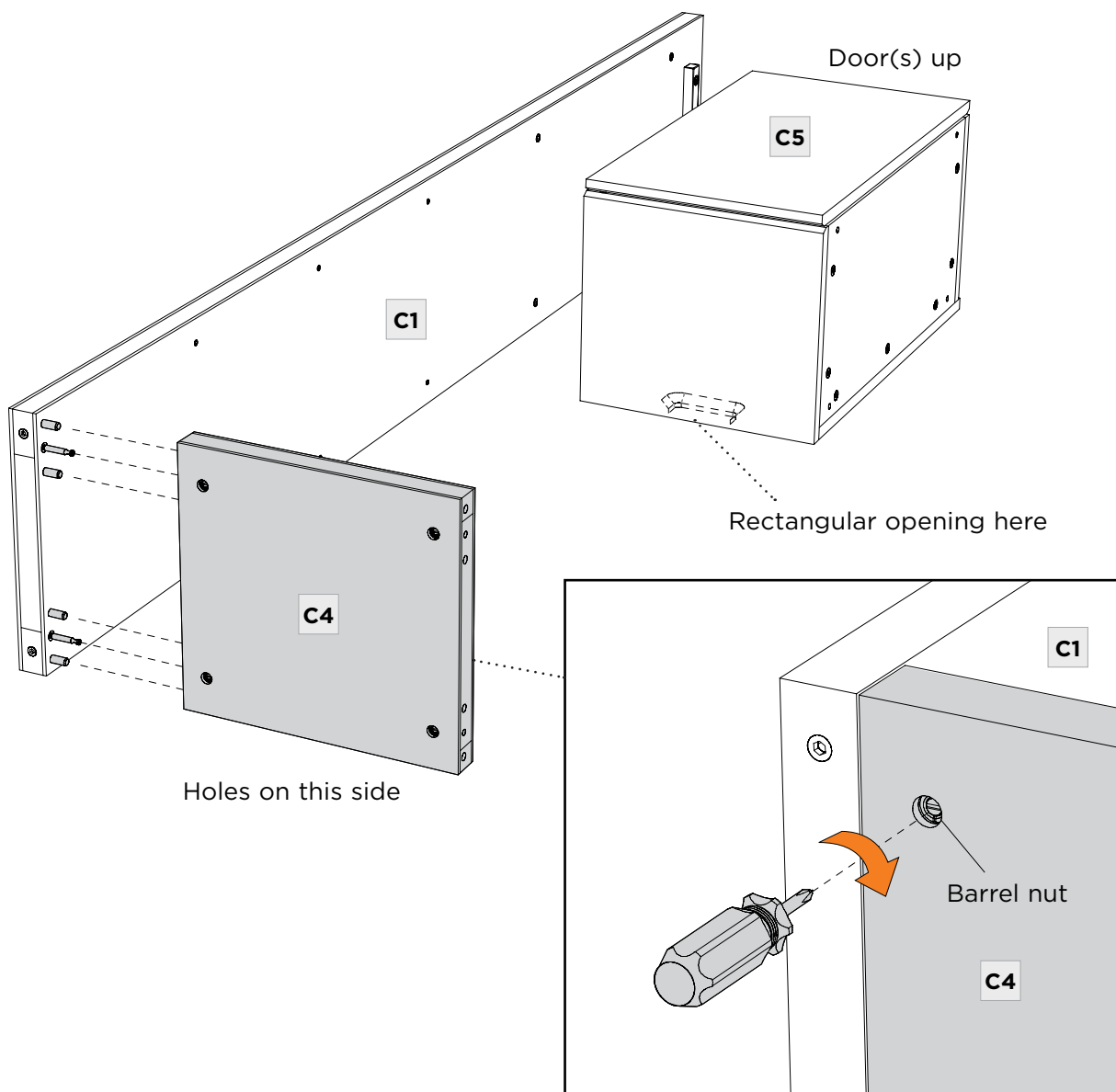
STEP 4. ATTACH TOP PANEL TO SIDE PANEL

ASSEMBLY

Attach **(C4) Top Panel** to **(C1) End Panel** by sliding dowels and cam bolts into the holes on the edge of **(C4) Top Panel**. If cams don't go into barrel nuts, check to make sure the barrel nut is aligned with the side hole and make sure the set screw is loosened prior to insertion of the cam bolts.

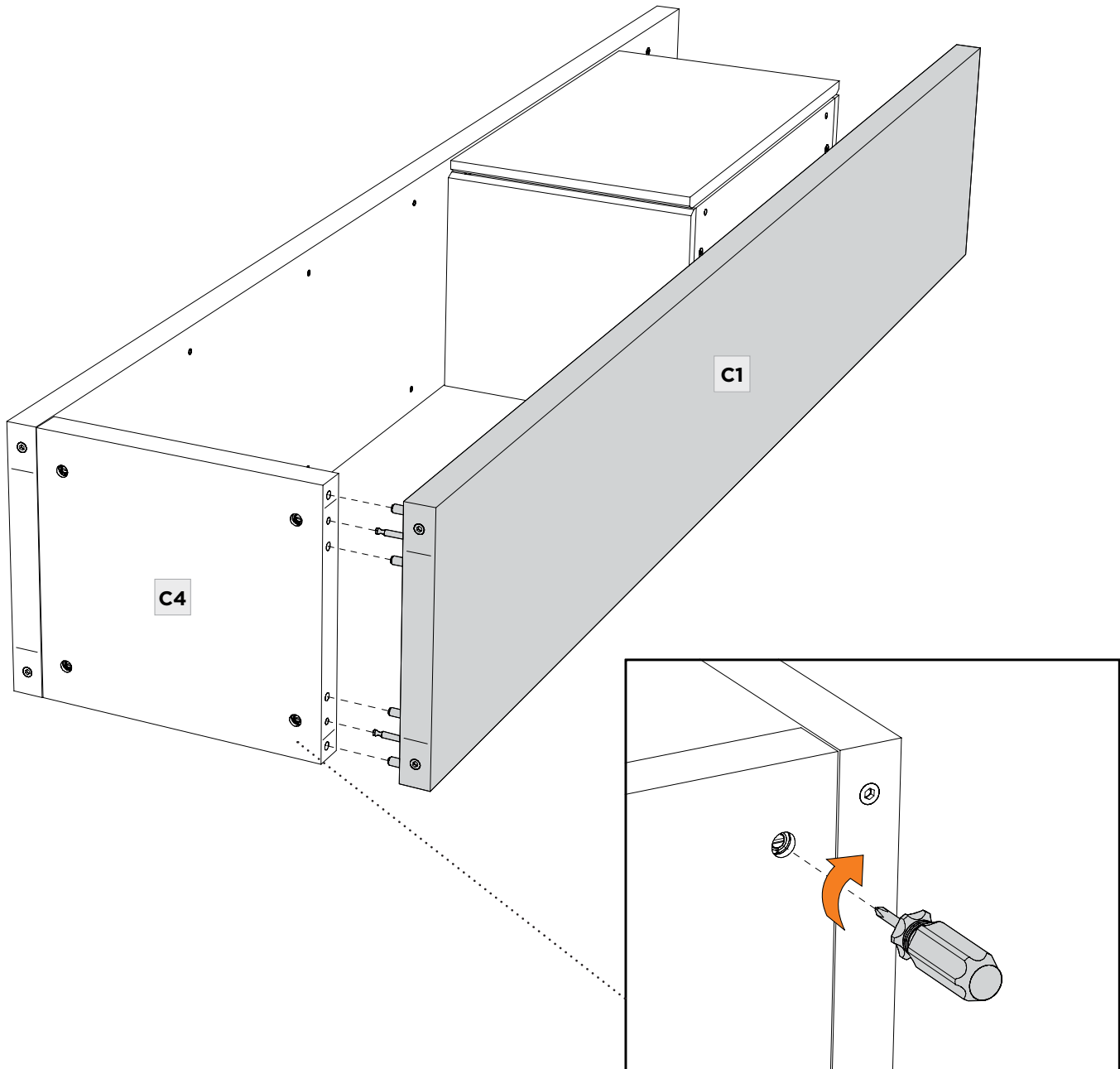
Tighten barrel nuts using **(T1) Phillips Screwdriver** with a **clockwise** turn. Position **(C5) Cabinet** as shown. Make sure rectangular opening on back of cabinet is facing upward towards **(C4) Top Panel**. Make sure the door is facing upward.

	PART/DESCRIPTION	QTY
	T1-PHILLIPS SCREWDRIVER	1



Attach the next **(C1) End Panel** to the other side of **(C4) Top Panel** by sliding dowels and cams into the holes on the side of **(C4) Top Panel**. Tighten barrel nuts using **(T1) Phillips Screwdriver**.


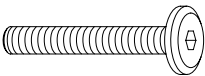
	PART/DESCRIPTION	QTY
	T1-PHILLIPS SCREWDRIVER	1

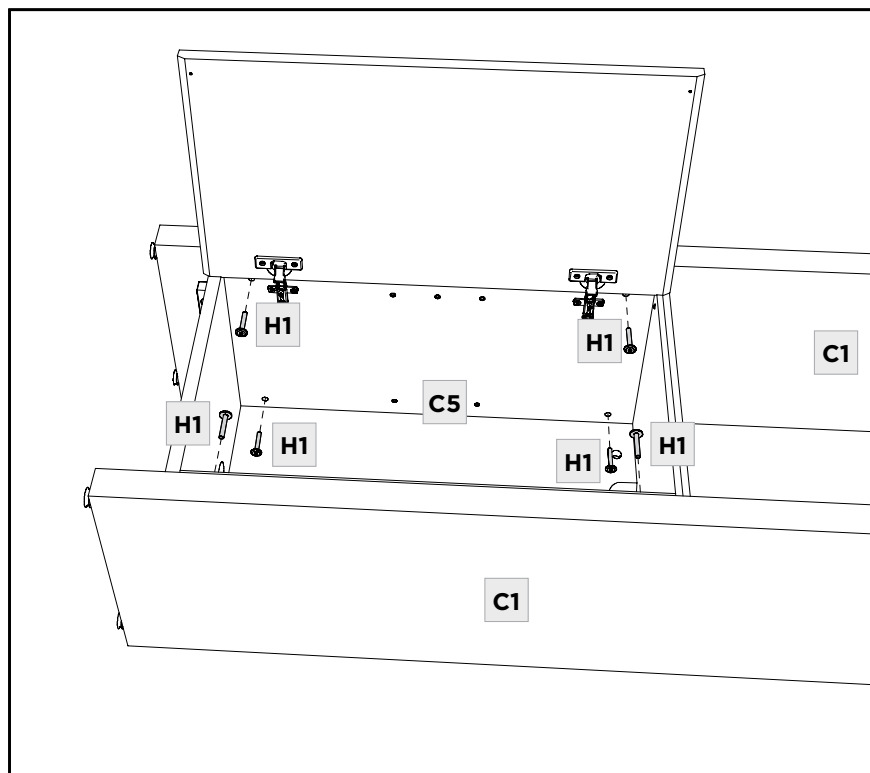
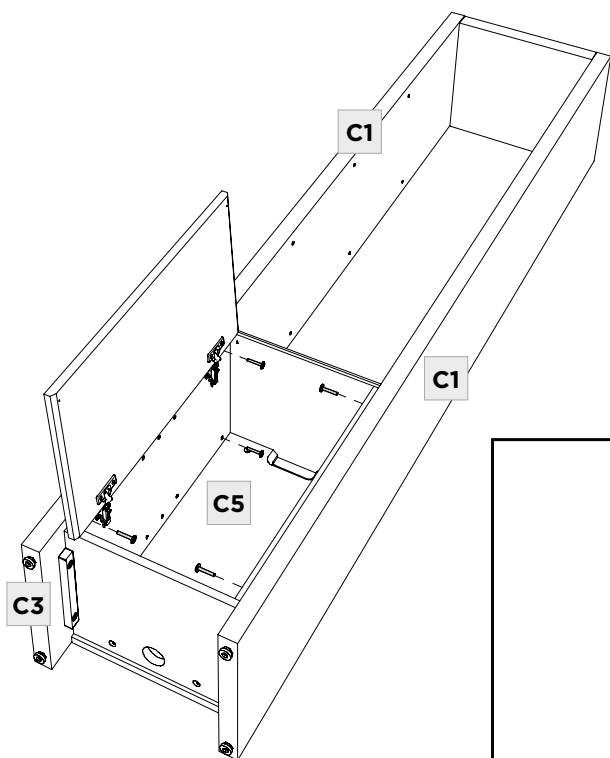


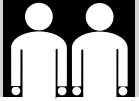
STEP 6. ATTACH CABINET TO END PANELS

ASSEMBLY

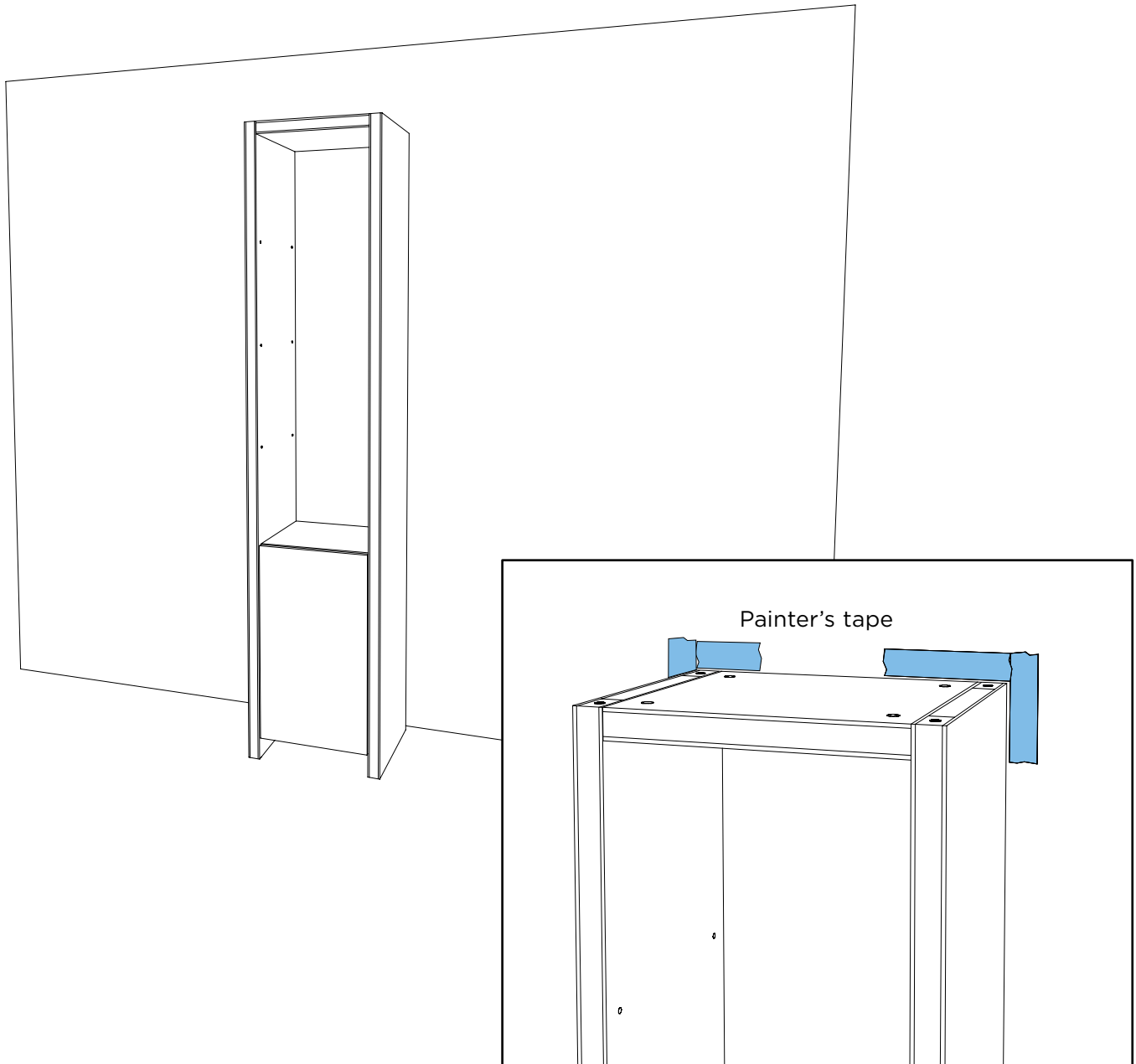
Making sure the bottom of the cabinet is against the **(C3) Cabinet Blocks**, carefully open the cabinet door and attach the **(C5) Cabinet** to **(C1) End Panels** using **8 (H1) Screws** and tighten with **(T2) Hex Wrench**.

	PART/DESCRIPTION	QTY
	T2-HEX WRENCH	1
	H1-SCREW	8



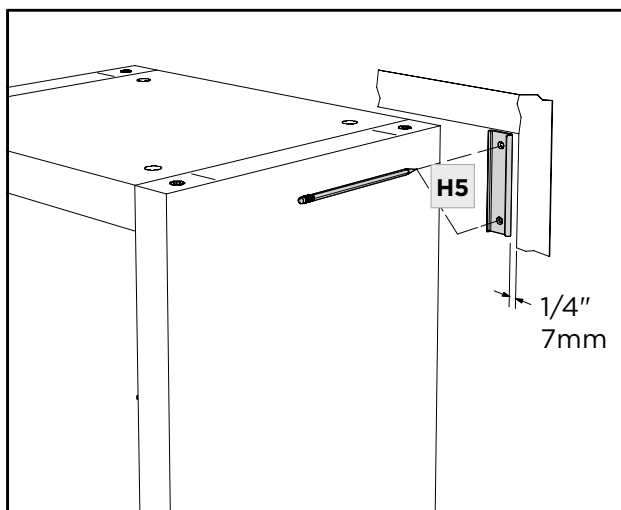




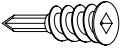

With help from another person, carefully stand the cabinet onto its base. Carefully walk it into position. Attaching your Linea shelving to the wall **is required** to ensure your safety. Use painter's tape to mark both upper back corners of the unit, as shown.




Move the cabinet to the side. Place **(H5) Wall Brackets** on the wall (flush with top and 1/4" (7mm) away from edge) and mark hole locations on the wall using a pencil. Drill holes at these locations for wall inserts.

Choose **(H8)** or **(H9) Wall Anchors** appropriate for your wall type.



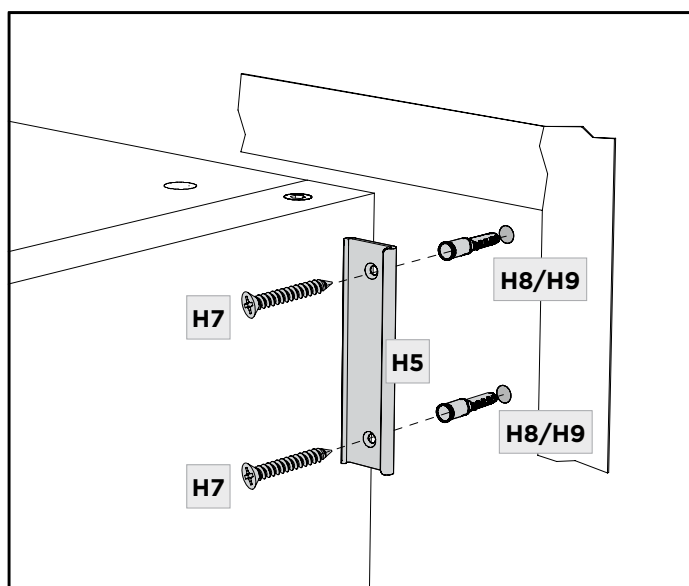
	PART/DESCRIPTION	QTY
	H5-WALL BRACKET	2
	H7-SCREW	4
	H8-ANCHOR	4
	H9-ANCHOR	4

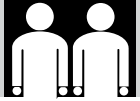
Choose wall anchors based on your walls:

H8  Sheetrock Anchor



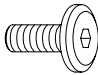
H9  Plaster/Brick/Block Anchor

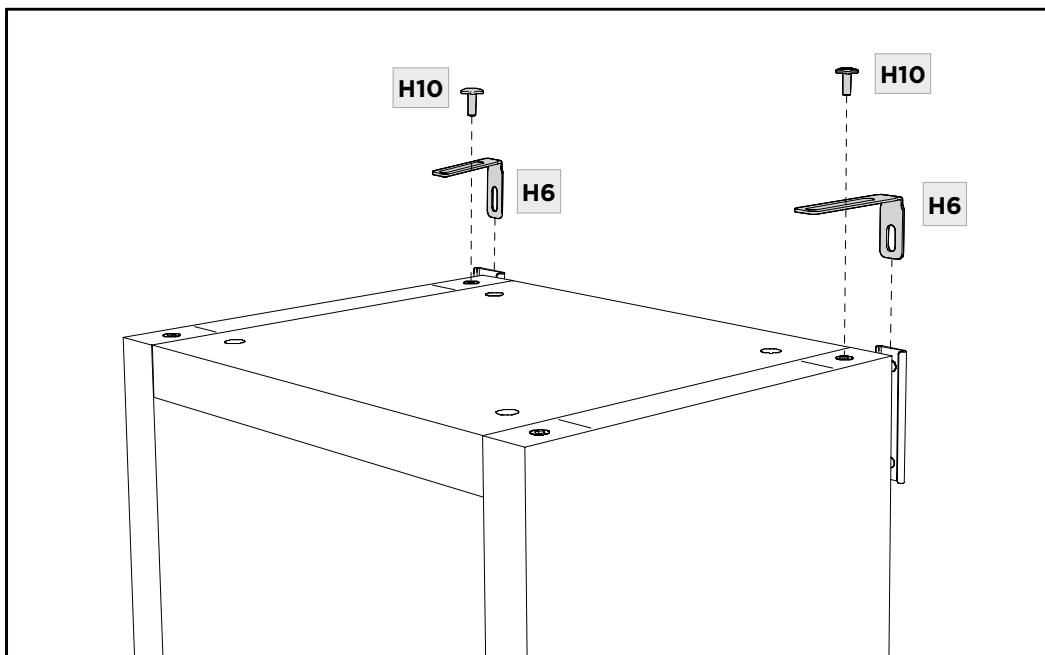
Insert **(H8)** or **(H9) Wall Anchors** into the holes and attach **(H5) Wall Brackets** to the wall using **(H7) Anchor Screws**.





Re-position your Linea cabinet in front of the **(H5) Wall Brackets**. Stand on a step ladder and slide **(H6) Cabinet Brackets** down into the slot in **(H5) Wall Brackets** and tighten using **(H10) Bracket Screws** and **(T2) Hex Wrench**.

	PART/DESCRIPTION	QTY
	T2-HEX WRENCH	1
	H6-CABINET BRACKET	2
	H10-BRACKET SCREW	2

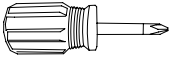

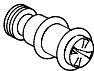


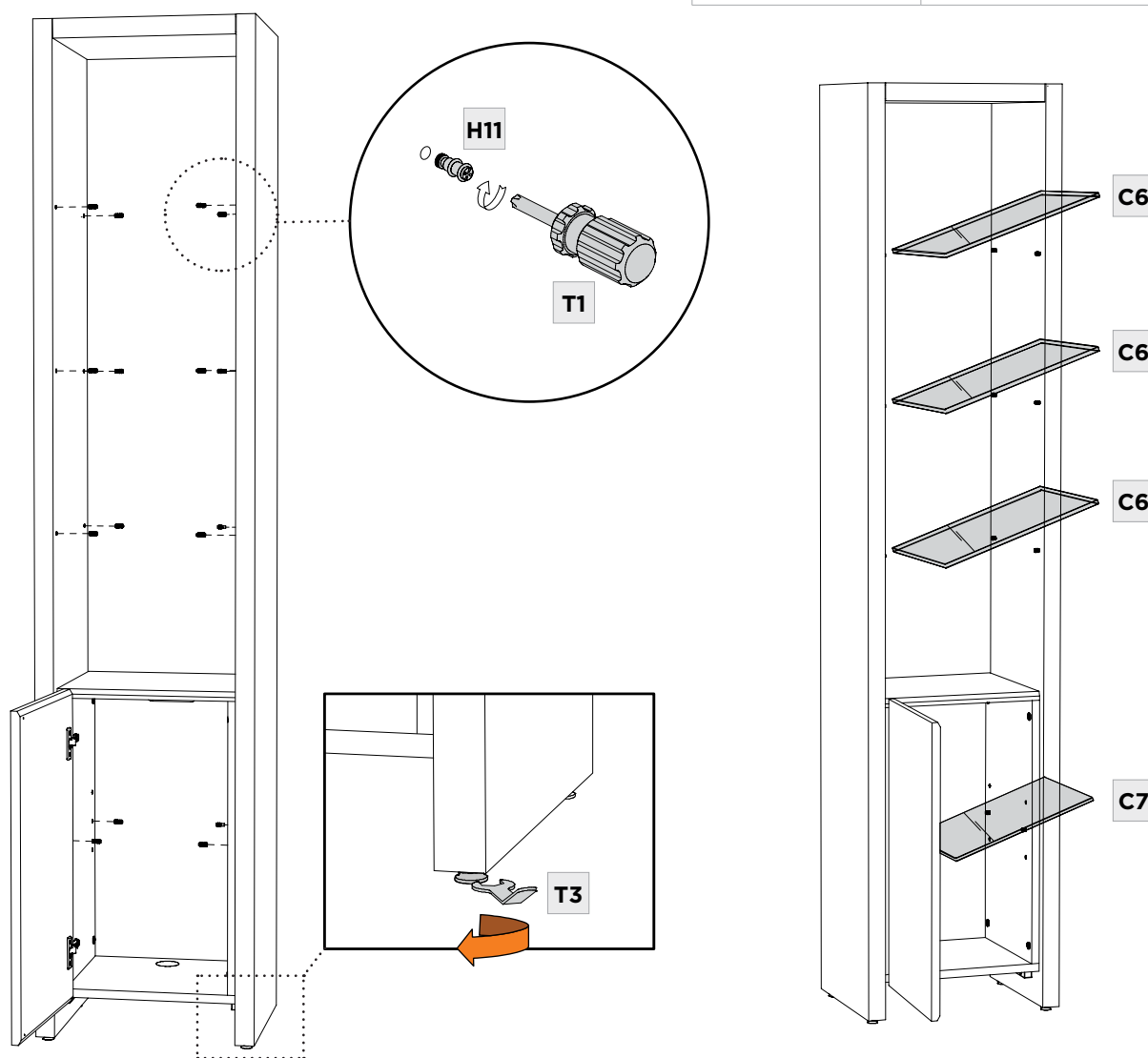
STEP 10. INSTALL SHELVES AND LEVEL

ASSEMBLY

Attach **16 (H11) Shelf Pins** into the threaded holes using a **(T1) Phillips Screwdriver**—choose preferred interior shelf height. Install **(C6) Outer Glass Shelves** on the shelf pins, tilting the glass slightly to avoid hitting side panels. Tilt and install **(C7) Inner Glass Shelf** inside the cabinet.

Use **(T3) Leveler Wrench** to level the cabinets.

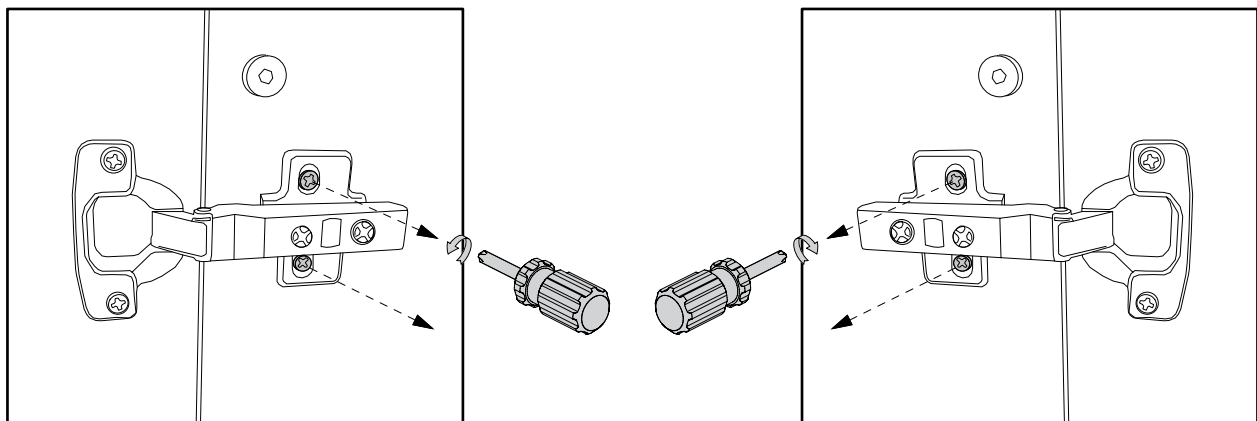
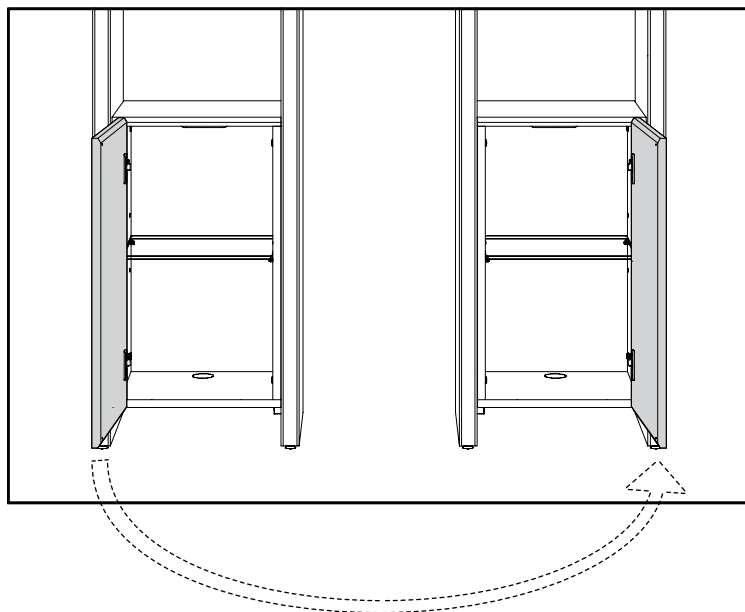
	PART/DESCRIPTION	QTY
	T1-PHILLIPS SCREWDRIVER	1
	T3-LEVELER WRENCH	1
	H11-SHELF PIN	16



The door on your Linea 5801 Cabinet can be attached to the opposite side (if desired) allowing the door to swing to the right. Remove the 2 screws holding each hinge plate to the side of the cabinet using **(T1) Phillips Screwdriver** and flip the door (top becomes bottom) and attach to the threaded holes on the opposite side using the same screws.

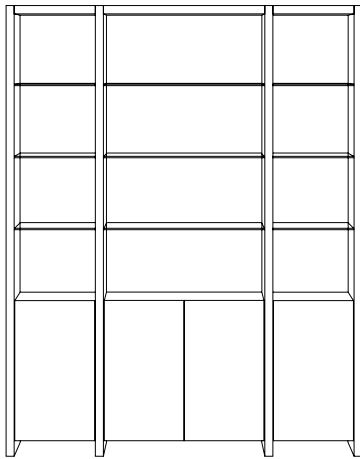
Proceed to **page 30**.

	PART/DESCRIPTION	QTY
	T1-PHILLIPS SCREWDRIVER	1

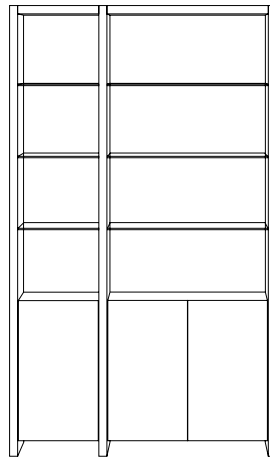


Endless Possibilities

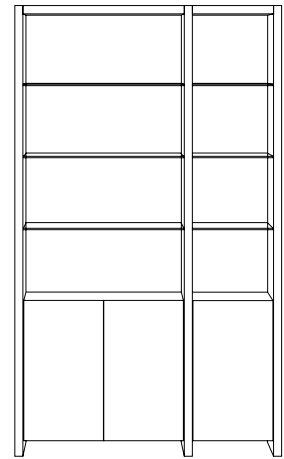
Linea can be configured in endless ways. Below are a few examples. Configurations up to 3 units wide may be assembled on the floor, stood up and carefully positioned. It is also possible to assemble 1 unit, stand it up and add additional units to it. Every configuration requires 1 base unit and then additional units. Base units come with 2 end panels and each add on unit always includes 1 inner panel.



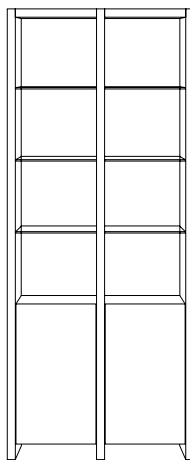
5801 + 5802A + 5801A



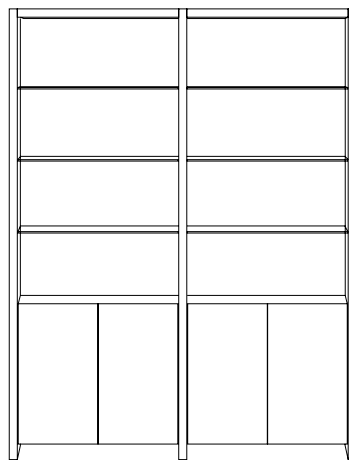
5801 + 5802A



5802 + 5801A



5801 + 5801A

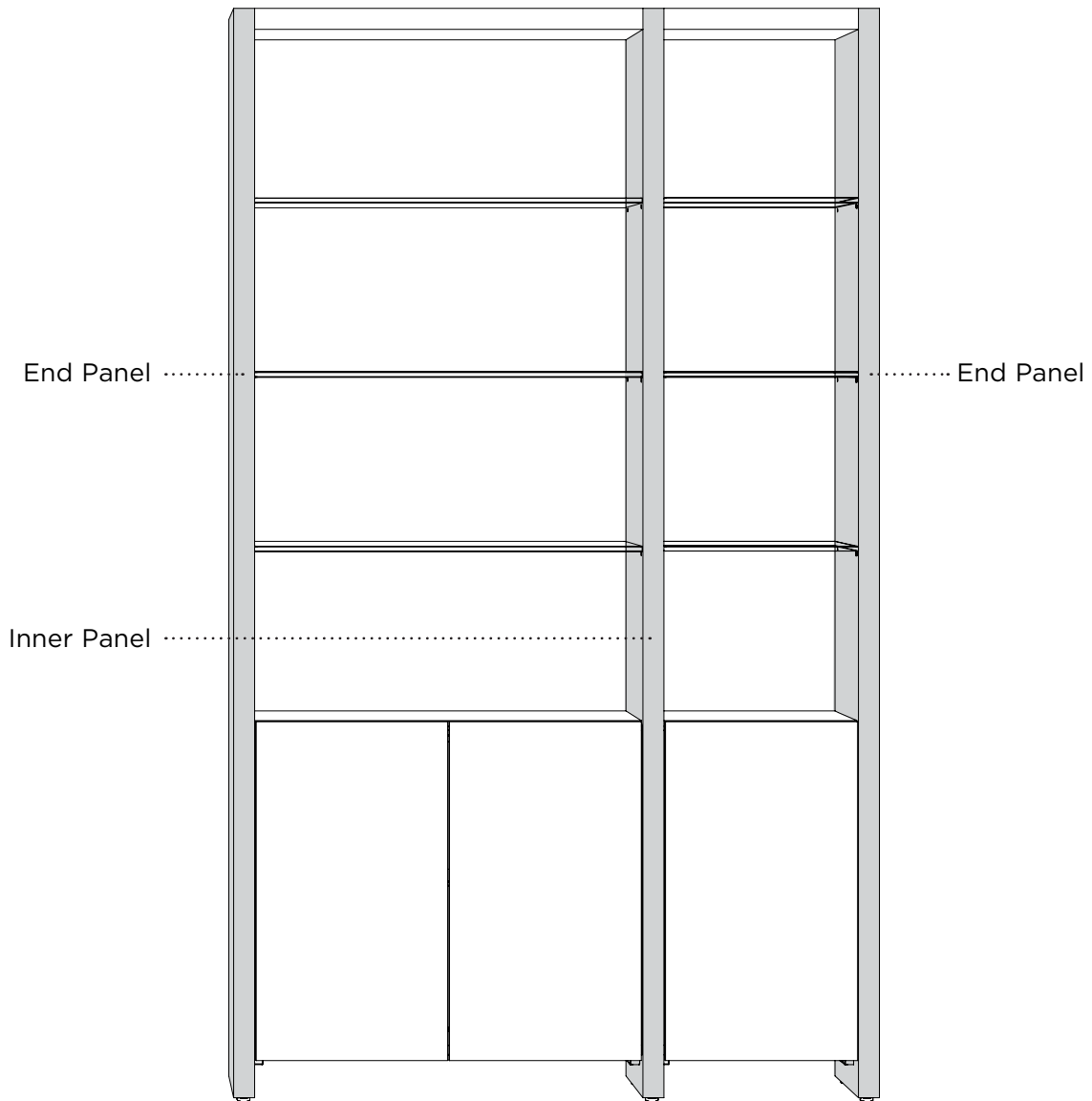


5802 + 5802A

HYBRID KIT

Hybrid Assembly

The following pages will show how to assemble a kit of 2 units shown below—which is a 5802 and a 5801A. Your configuration may differ, but the assembly method will be the same.


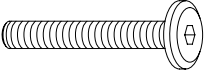
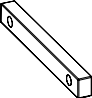


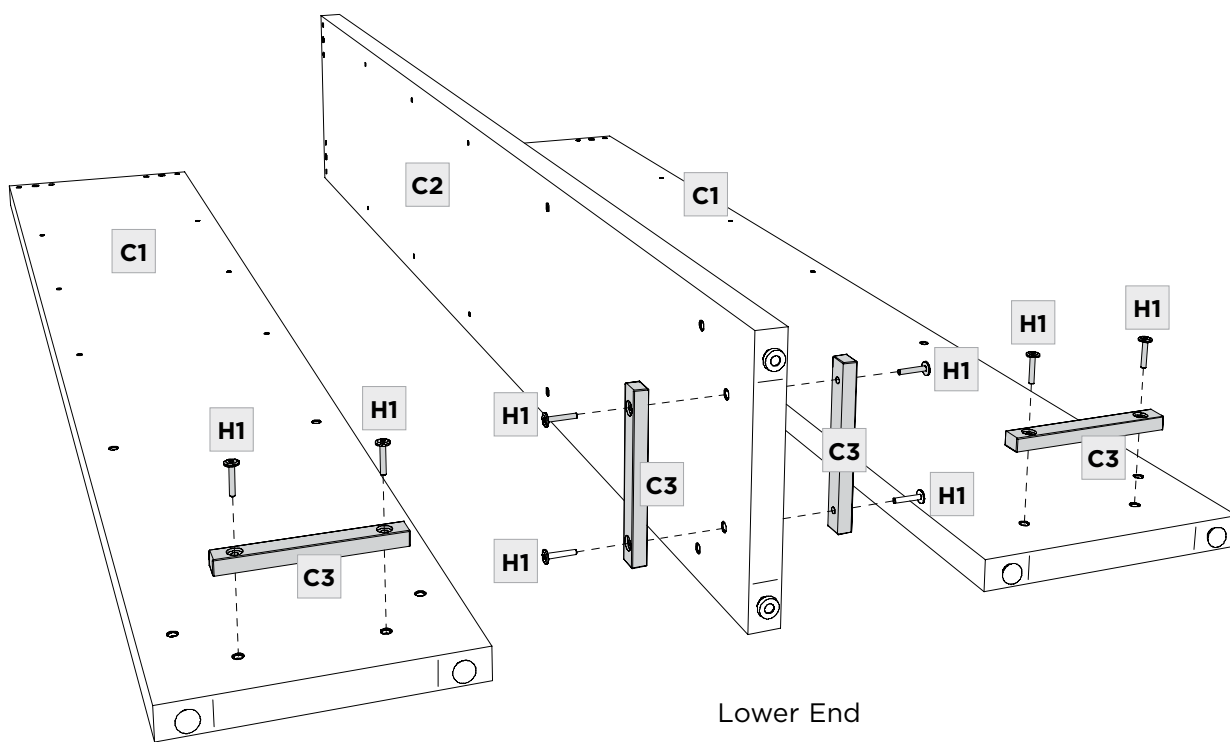
5802 (Base) + 5801A (Add-on)

STEP 1. ATTACH CABINET BLOCKS TO END PANELS

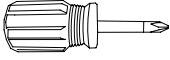
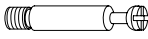

ASSEMBLY

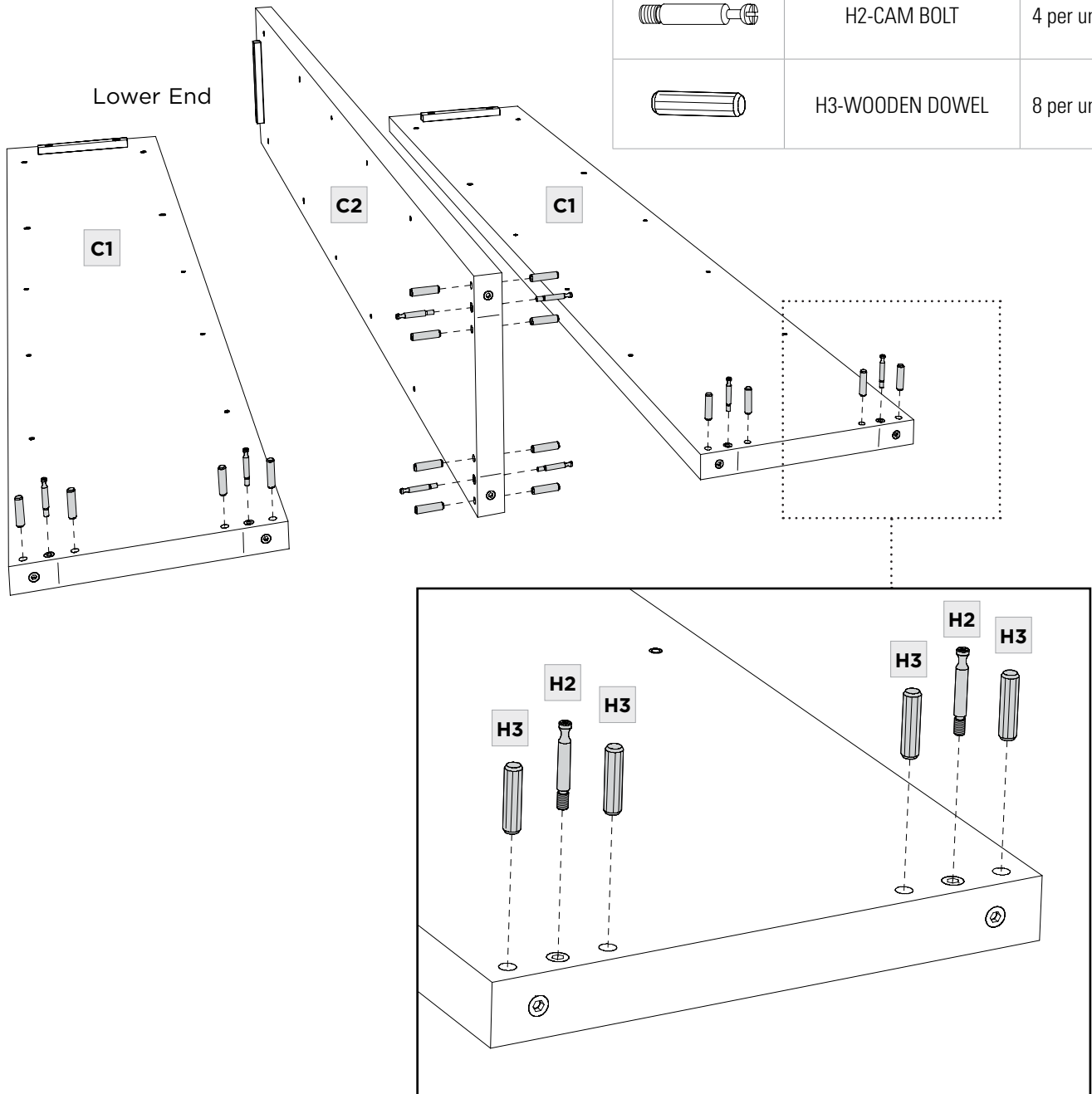
Attach 1 (C3) Cabinet Block to each (C1) End Panel and each (C2) Inner Panel using (H1) Screws and (T2) Hex Wrench.

	PART/DESCRIPTION	QTY
	T2-HEX WRENCH	1
	H1-SCREW	4 per unit
	C3-CABINET BLOCK	2 per unit



Find the sets of 3 holes near top edge of the **(C1) End Panels** and **(C2) Inner Panels**. Screw **(H2) Cam Bolts** into the threaded holes using **(T1) Phillips Screwdriver** and push **(H3) Wooden Dowels** into the outer holes.

	PART/DESCRIPTION	QTY
	T1-PHILLIPS SCREWDRIVER	1
	H2-CAM BOLT	4 per unit
	H3-WOODEN DOWEL	8 per unit

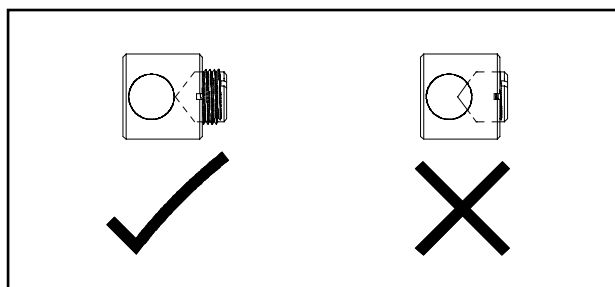
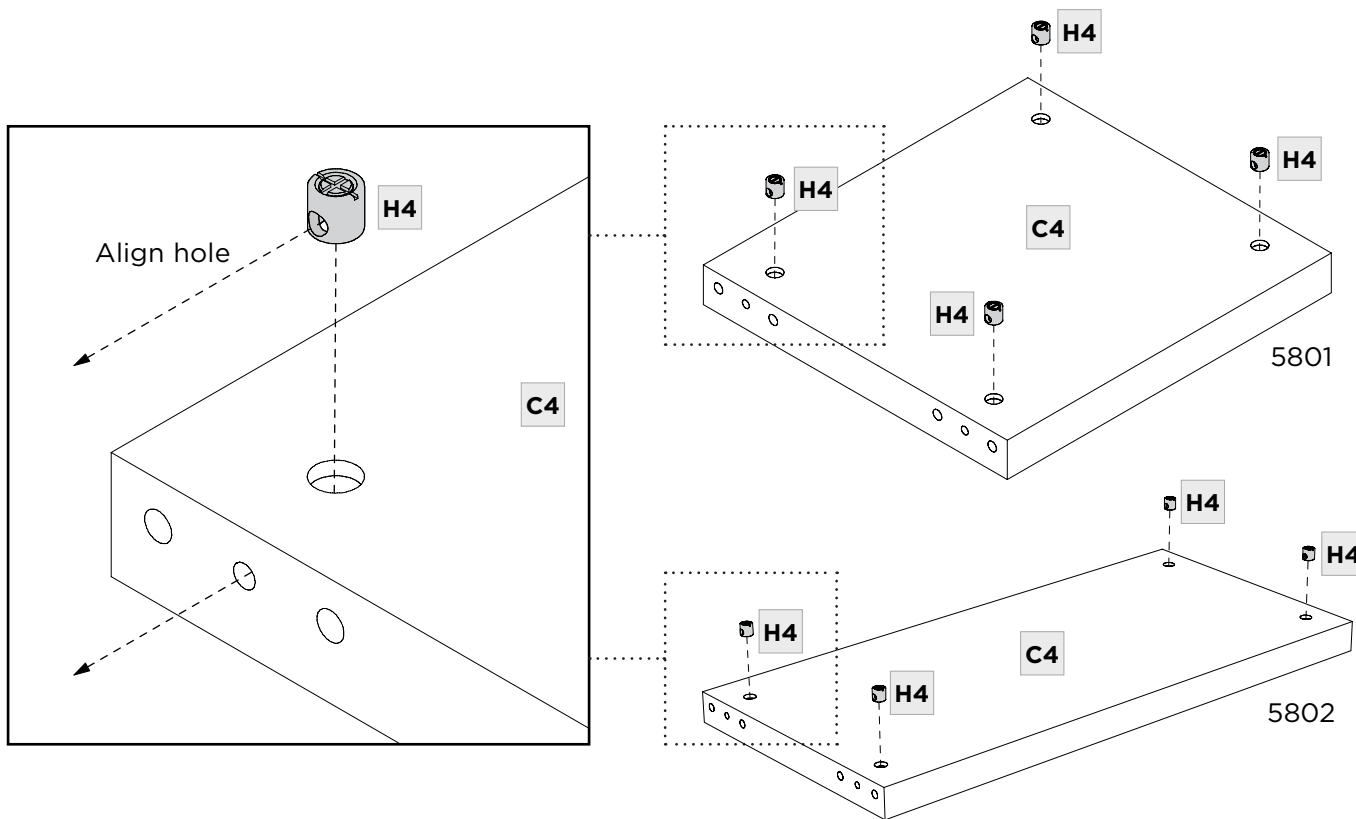


STEP 3. INSERT BARREL NUTS

ASSEMBLY

Insert **4 (H4) Barrel Nuts** into the holes on the top of the **(C4) Top Panel** making sure that the hole on the side of the barrel nuts align with the holes on the edges of the panel.

	PART/DESCRIPTION	QTY
	H4-BARREL NUT	4



NOTE: Look into side hole of the barrel nuts and make sure the set screw is not blocking the hole.

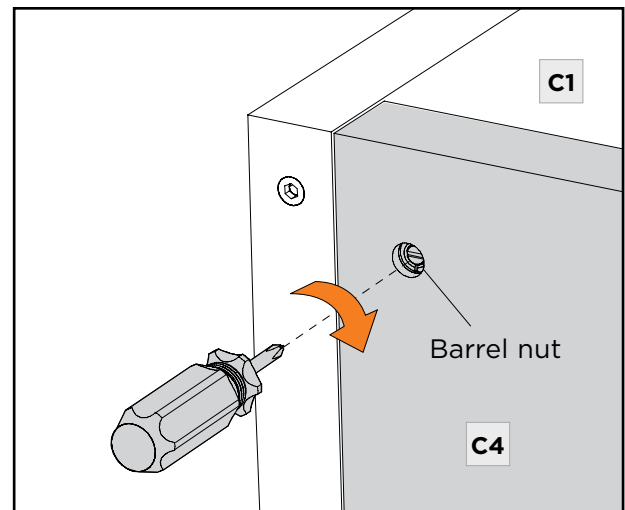
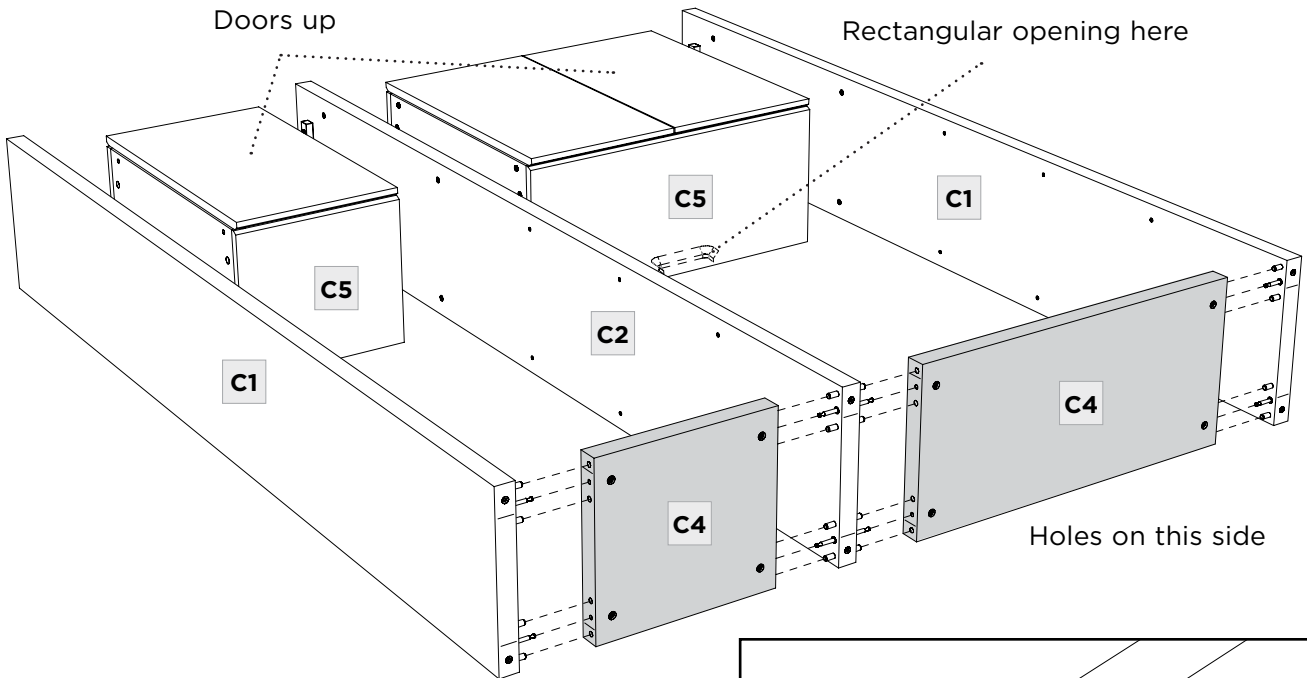
If the hole is blocked, unscrew set screw a few turns until the hole is clear.

This will allow the cam bolts to enter.

Attach **(C4) Top Panels** to **(C1) End Panels** and **(C2) Inner Panels** by sliding dowels and cam bolts into the holes on the edge of **(C4) Top Panel**. If cams don't go into barrel nuts, check to make sure the barrel nut is aligned with the side hole and make sure the set screw is loosened prior to insertion of the cam bolts (**see page 22**).

Tighten barrel nuts using **(T1) Phillips Screwdriver** with a **clockwise** turn. Position cabinets as shown. Make sure the door is facing upward and the rectangular opening is positioned as shown.


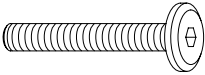
	PART/DESCRIPTION	QTY
	T1-PHILLIPS SCREWDRIVER	1

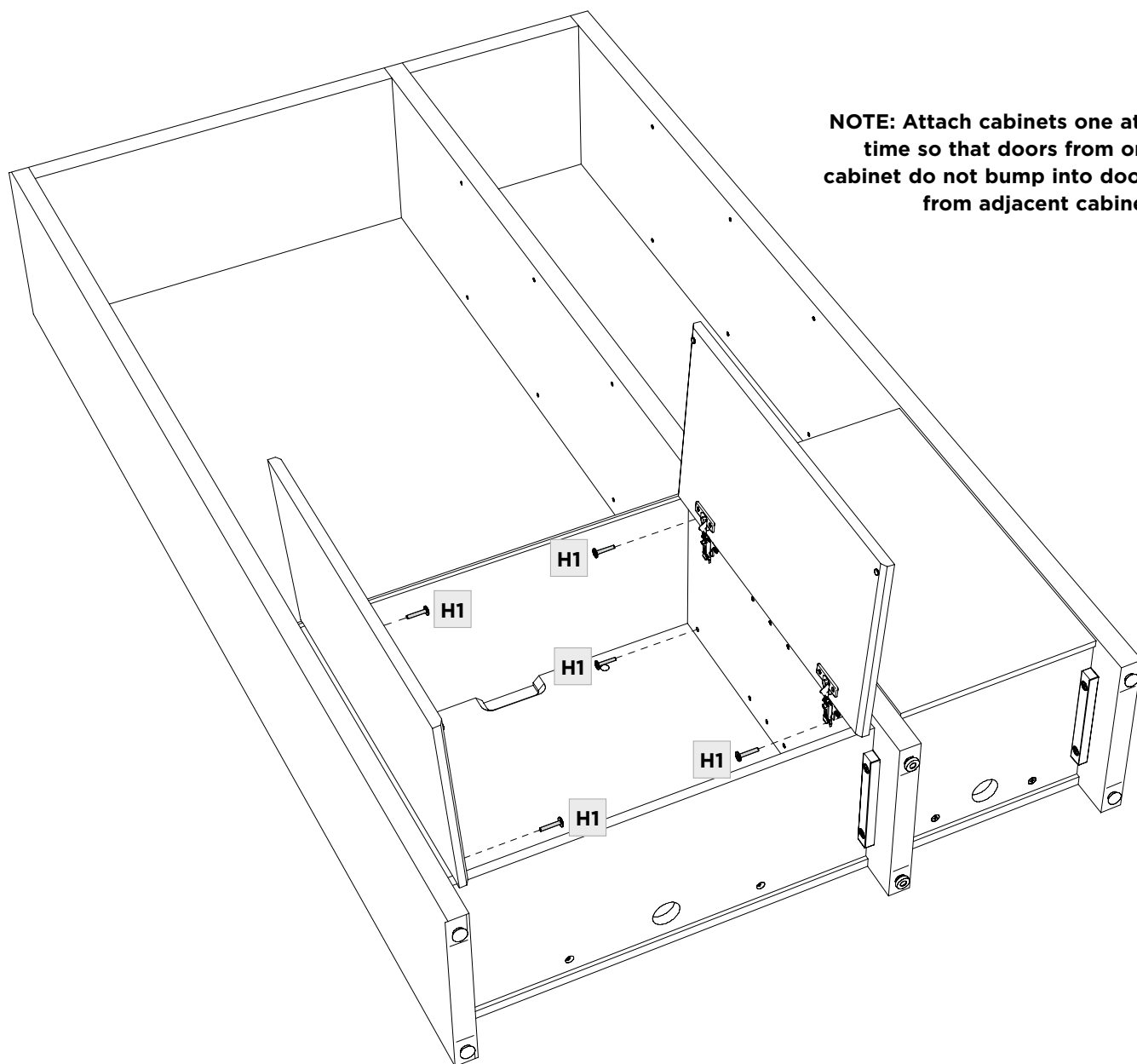


STEP 5. ATTACH CABINETS

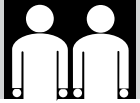
ASSEMBLY

Making sure the bottom of the cabinet is against the **(C3) Cabinet Blocks**, carefully open the cabinet doors one at a time and attach each **(C5) Cabinet** to **(C1) End Panels** and **(C2) Inner Panels** using **8 (H1) Screws** per cabinet and tighten with **(T2) Hex Wrench**.

	PART/DESCRIPTION	QTY
	T2-HEX WRENCH	1
	H1-SCREW	8

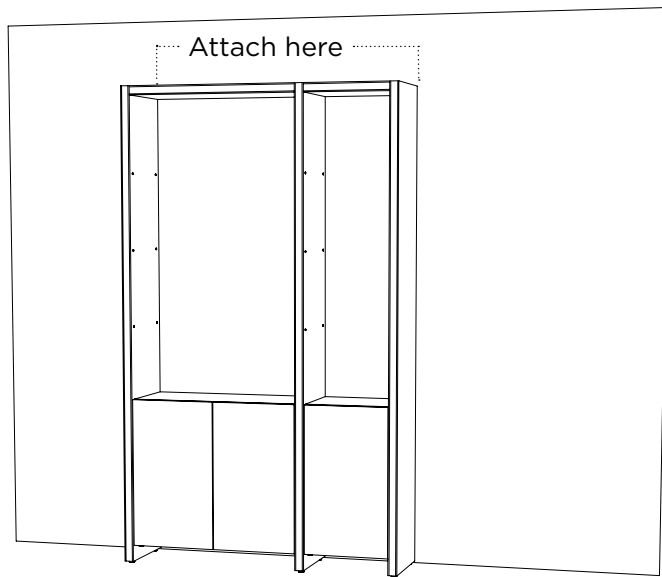


NOTE: Attach cabinets one at a time so that doors from one cabinet do not bump into doors from adjacent cabinet.

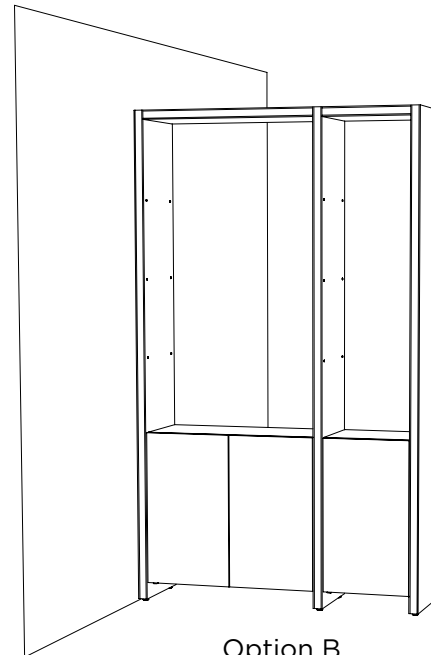


With help from **at least 1** other person, carefully stand the cabinets onto their base. Carefully lift and slide into position, either flat along a wall (Option A) or as a peninsula extending perpendicular to a wall (Option B).

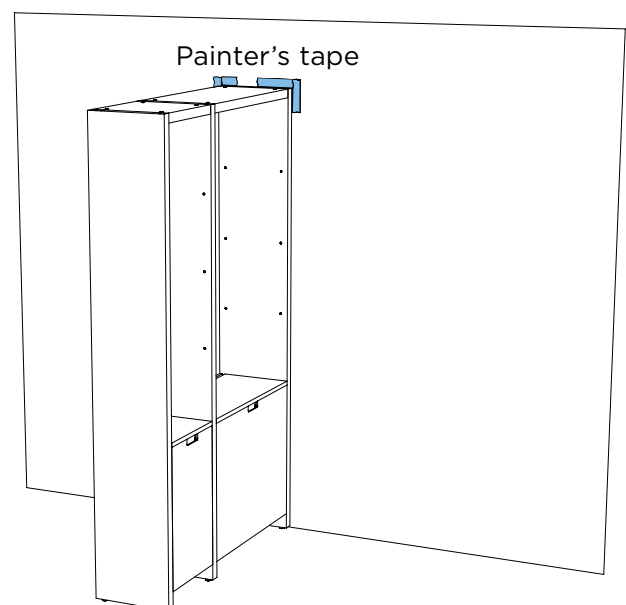
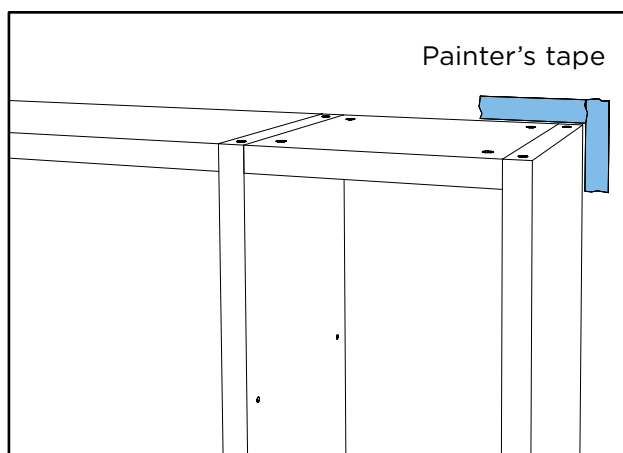
Attaching your Linea Cabinet to the wall **is required** to ensure your safety. Use painter's tape to mark at both upper back corners of the unit, as shown. It is recommended to attach the 2 outer corners of multiple units.



Option A

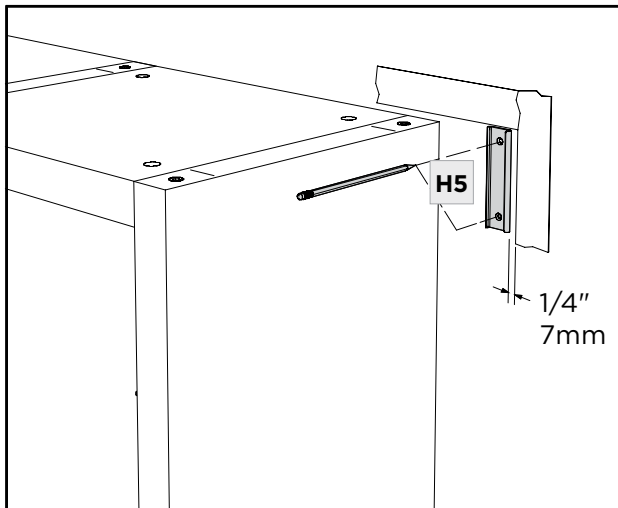




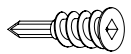

Option B



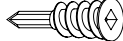
Move the cabinet to the side. Place **(H5) Wall Brackets** on the wall (flush with top and 1/4" (7mm) away from edge) and mark hole locations on the wall using a pencil. Drill holes at these locations for wall inserts.

Choose **(H8)** or **(H9) Wall Anchors** appropriate for your wall type.



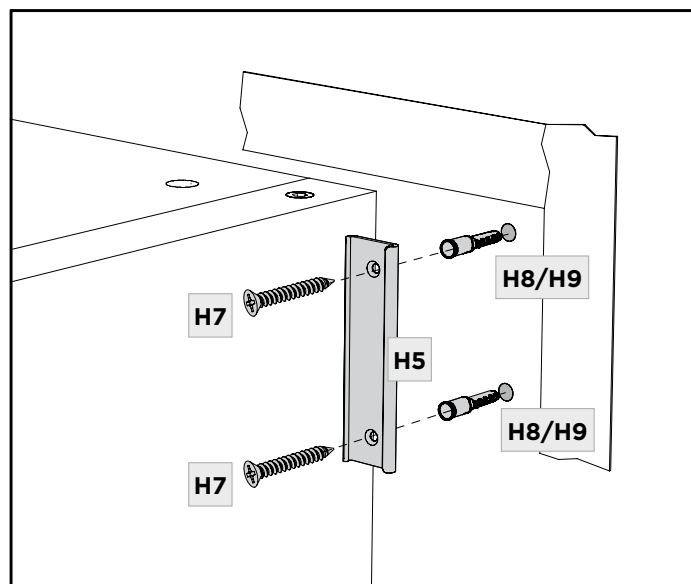
	PART/DESCRIPTION	QTY
	H5-WALL BRACKET	2
	H7-SCREW	4
	H8-ANCHOR	4
	H9-ANCHOR	4

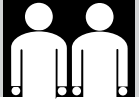
Choose wall anchors based on your walls:

H8  Sheetrock Anchor



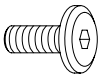
H9  Plaster/Brick/Block Anchor

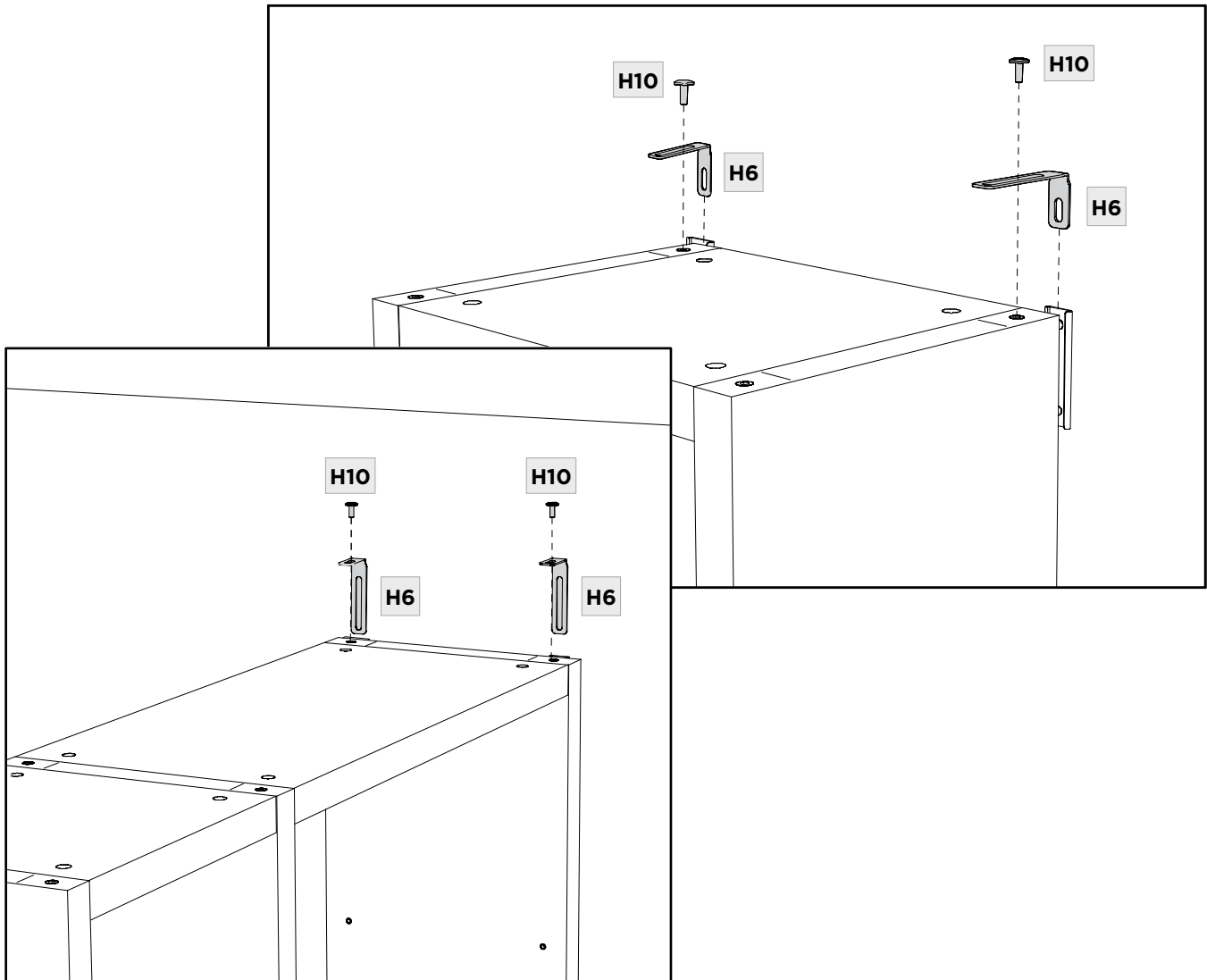
Insert **(H8)** or **(H9) Wall Anchors** into the holes and attach **(H5) Wall Brackets** to the wall using **(H7) Anchor Screws**.





Re-position your Linea cabinet in front of the **(H5) Wall Brackets**. Stand on a step ladder and slide **(H6) Cabinet Brackets** down into the slot in **(H5) Wall Brackets** and tighten using **(H10) Bracket Screws** and **(T2) Hex Wrench**.

	PART/DESCRIPTION	QTY
	T2-HEX WRENCH	1
	H6-CABINET BRACKET	2
	H10-BRACKET SCREW	2



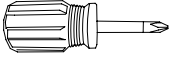

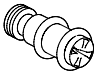
STEP 10. INSTALL SHELVES AND LEVEL

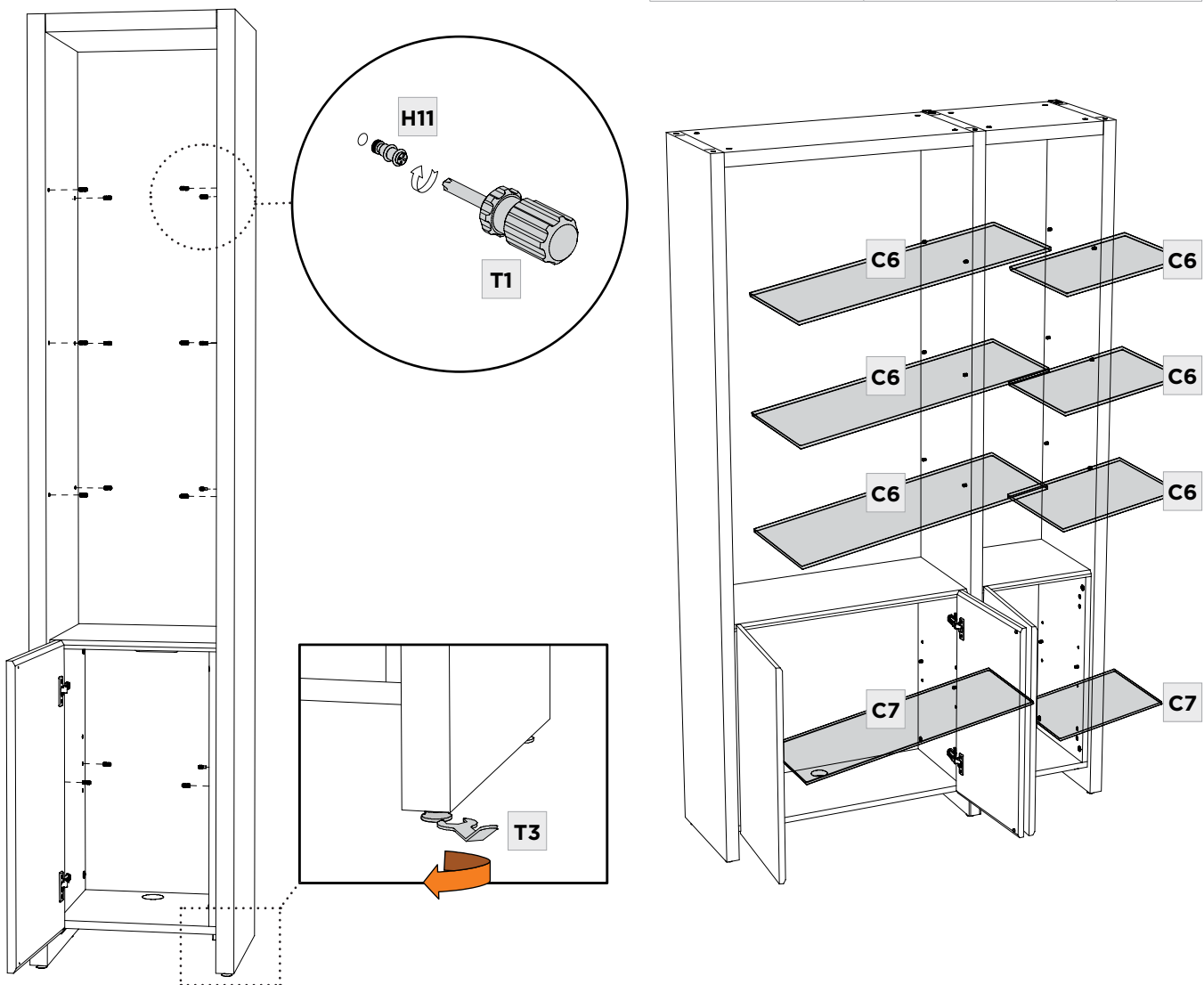
ASSEMBLY

Attach **16 (H11) Shelf Pins** into the threaded holes of each cabinet section using a **(T1) Phillips Screwdriver**—choose preferred interior shelf height. Install **(C6) Outer Glass Shelves** on the shelf pins, tilting the glass slightly to avoid hitting side panels. Tilt and install **(C7) Inner Glass Shelf** inside the cabinet.

Use **(T3) Leveler Wrench** to level the cabinets.

To change 5801 door hinger, **see page 18**.

	PART/DESCRIPTION	QTY
	T1-PHILLIPS SCREWDRIVER	1
	T3-LEVELER WRENCH	1
	H11-SHELF PIN	16 per unit

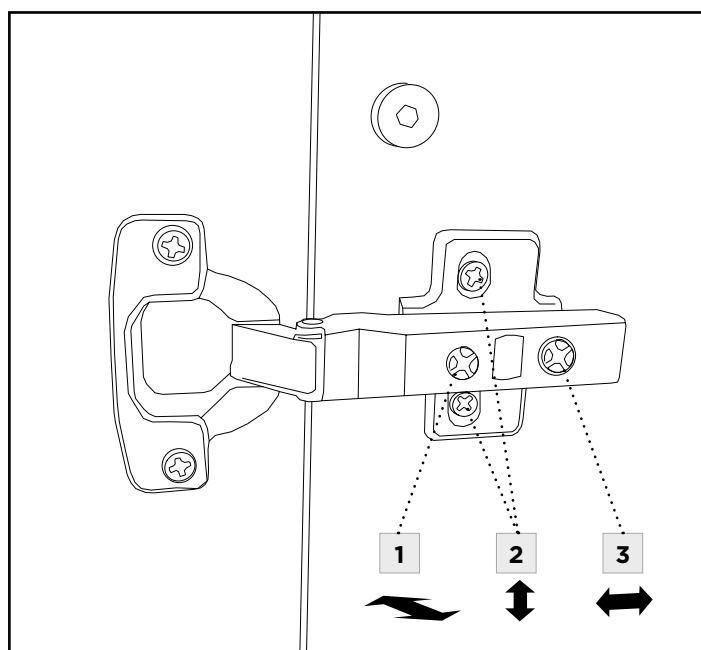


The doors on your cabinet should be evenly spaced and the doors should open and close freely without rubbing against the door frame. If the cabinet's doors appear out of alignment, this condition can be corrected with minor adjustment to the European hinges on each door. Because these hinges are adjustable, adjusting one hinge can sometimes cause the need for adjustments to other hinges. But with a few adjustments, you can modify the orientation of the cabinet doors to make sure that they hang perfectly within your cabinet.

	PART/DESCRIPTION	QTY
	T1-PHILLIPS SCREWDRIVER	1

Use a **(T1) Phillips Screwdriver** to adjust the door hinges:

- By adjusting **Screw 1**, the door will move LEFT or RIGHT within the frame. Make minor adjustments at both top and bottom hinges for best results.
- By loosening both **Screws 2** on both hinges, the door can move UP or DOWN. Retighten the screws.
- By adjusting **Screw 3** the entire door will move IN or OUT, opening or closing the gap between the door frame and cabinet. (This screw rarely needs adjustment.)



GLASS

Glass surface is maintained using household glass cleaner and a paper towel or cloth.

SATIN-ETCHED GLASS

This uniquely smooth-to-the-touch glass surface can be regularly maintained using household glass cleaner and a paper towel or cloth. Minor scratches or scuffs not eliminated using paper towel or cloth can usually be removed by using a 'Magic Eraser'. Magic Eraser is a melamine foam product available at any grocery store or home improvement center. Dampen the entire glass surface as well as the Magic Eraser, then rub the entire glass surface in broad, even strokes using moderate pressure. Clean and dry the surface with a paper towel. Check for results and repeat as necessary.

Any scratches or scuffing not eliminated by one of the above methods can often be addressed by 'refreshing' the glass. This is a process that should not be required more than once per 6-12 months. See this brief video for the simple method: www.bdiusa.com/glass

WOOD

Wood surfaces should be cleaned with a slightly damp (not saturated) cloth or paper towel. Do not use glass cleaner on wood. If moisture remains, dry the surface with another cloth. If needed, a gentle non-abrasive cleanser may be used, but be sure to wipe away all cleaner residue and dry the surface with a cloth.

BDI's wood finishes feature natural hardwood solids and veneers. Wood is a product of nature and—unlike man-made materials that can be manufactured to strict and consistent specifications—has natural imperfections that are part of its appeal and character. Every piece of wood differs from every other, even when coming from the very same tree. As such, variation in grain, texture and tone should be expected from one panel or piece of furniture to the next.

While BDI's stained wood finishes are stable in tone & appearance, all finishes are subject to some degree of discoloration with prolonged exposure to direct sunlight. Please take care to avoid positioning your BDI cabinet in any area with extensive direct sunlight. To learn more about the features of natural wood, visit www.bdiusa.com/wood

METAL & PAINTED SURFACES

Surfaces should be cleaned with a slightly damp (not saturated) cloth or paper towel. If moisture remains, dry the surface with another cloth. If needed, a gentle non-abrasive cleanser may be used, but be sure to wipe away all cleaner residue and dry the surface with a cloth.

WARRANTY

BDI warrants to the original purchaser that for the below stated warranty term, BDI will repair or replace any product, part, or component covered by this warranty which fails under normal use as a result of a defect in material or workmanship. BDI will repair or replace the aforementioned product, part or component with a comparable product, part or component. The decision to repair or replace will be at BDI's sole discretion.

BDI Home Theater Furniture, Office Furniture, Modular Systems, Tables and other furniture pieces are warranted for three (3) years from the date of purchase as shown on your sales receipt. The warranty period starts from the date of purchase. This warranty extends only to the original purchasers who acquire new product from BDI Authorized Resellers. Any product, part, or component must have been assembled, installed, used, and maintained according to BDI's published instructions in order to be eligible for warranty coverage. Any modification to the original product voids the warranty.

To view BDI's complete warranty information, visit www.bdiusa.com/warranty

PRODUCT REGISTRATION

Registering your new BDI product allows us to send you important product updates, service information and helpful hints related to your BDI products. Register today, and you will be entered to win free a BINK table from BDI: www.bdiusa.com/register



WARNING

SERIOUS OR FATAL CRUSHING INJURIES CAN OCCUR FROM FURNITURE TIP-OVER. TO HELP PREVENT TIP-OVER:

- **DO NOT** allow children to hang on the open doors
- **DO NOT** allow children to climb on the cabinets
- **ALWAYS** attach your Linea shelving to a wall
- **FAILURE** to secure your Linea shelving to a wall can lead to **SERIOUS INJURY OR DEATH**

USE OF TIP-OVER RESTRAINT MAY REDUCE—BUT NOT ELIMINATE—THE RISK OF TIP-OVER.



These distinctive product configurations are protected by US and international patents, trade dress, and/or copyright laws. Linea & BDI are trademarks of Becker Designed, Inc. All rights reserved. ©2021, BDI | V.06.01.2021

Made in China.