

SIGMA™ 6902

RETURN

bdiusa.com
customerservice@bdiusa.com



Product Registration

Registering your new BDI product allows us to send you important product updates, service information and helpful hints related to your BDI products. Register today and you will be entered to win free a BINK table from BDI. www.bdiusa.com/product-registration/

Placement and Maintenance

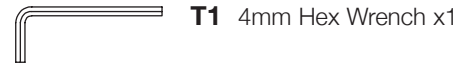
Sigma™ Office furniture is designed for indoor use on level floors. Clean glass with glass cleaner, and other surfaces with a moist cloth.

Your Sigma™ Office furniture is engineered for easy assembly. Carefully follow this procedure to prevent any damage. Do not use power tools for assembly of this product.

Step 1

Unpack and identify the parts listed below. The assembly workspace should be a non-marring surface such as carpet. For missing hardware pieces, please contact BDI Customer Service at: customerservice@bdiusa.com. For all other concerns, please contact your BDI retailer.

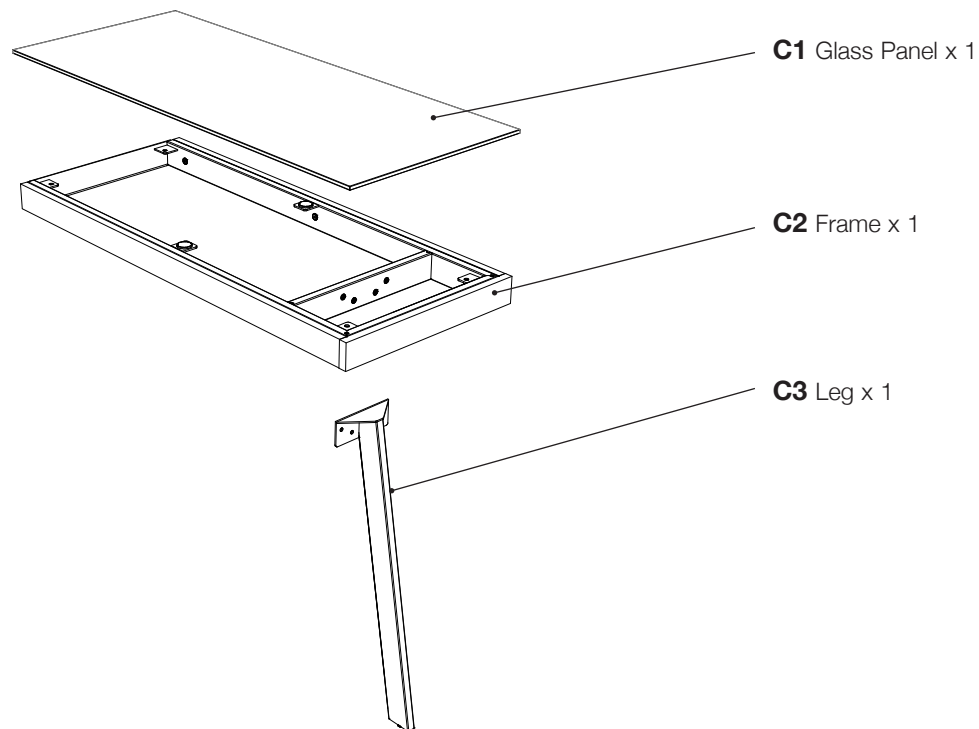
Hardware:



T1 4mm Hex Wrench x1



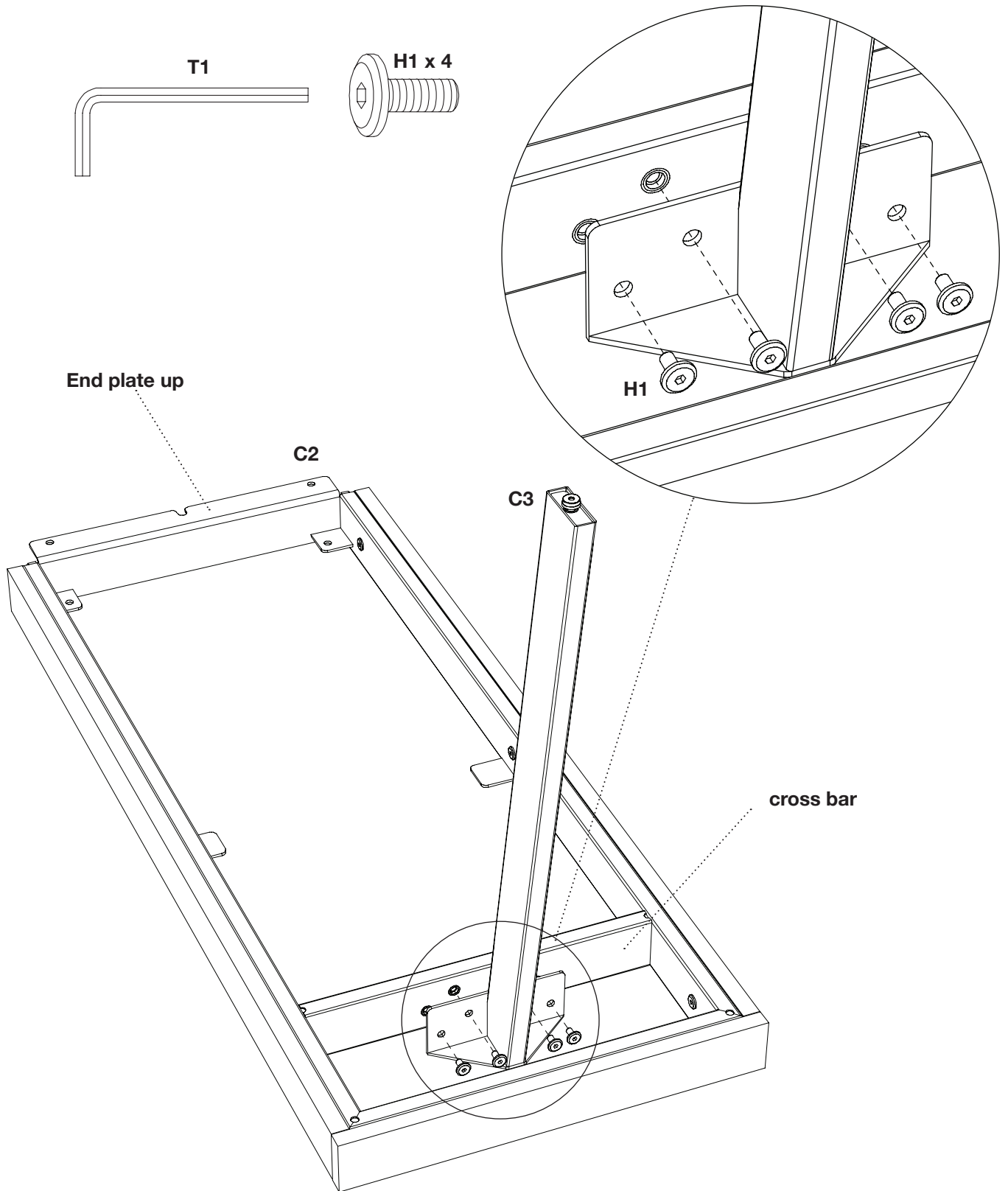
H1 M6 x 15mm Screw
x 11



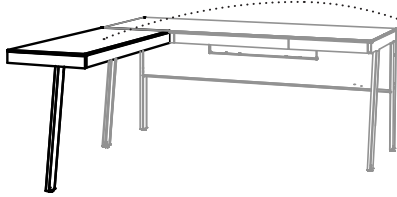
Designed by BDI Studio.

These distinctive product configurations are protected by US and international patents, trade dress, and/or copyright laws. Sigma & BDI are trademarks of Becker Designed, Inc. All rights reserved. ©2019, BDI
Made in Turkey. 02.18.2019

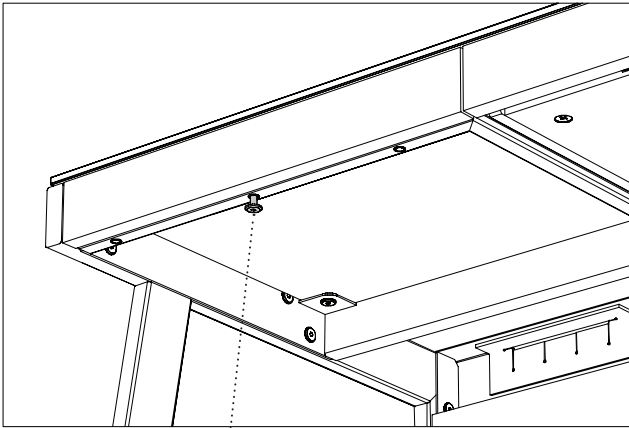
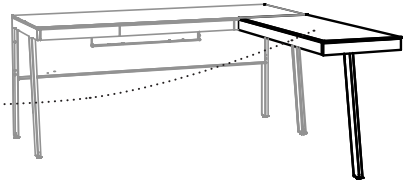
Step 2 - Position the **frame C2** upside down (end plate facing up). Position the top of the **leg C3** over the matching 4 threaded inserts on the cross bar. Attach the leg to the cross bar using **screws H1** and **hex wrench T1**.



Step 3 - Determine if you want the return on the left or right side of the desk. Find the 3 threaded insert below the front edge (left or right). Thread a **screw H1** in **half way** into the **middle insert**. With help from another person, position the return so that the notch in the end plate goes around the middle screw. Tighten the middle screw with the **hex wrench**.

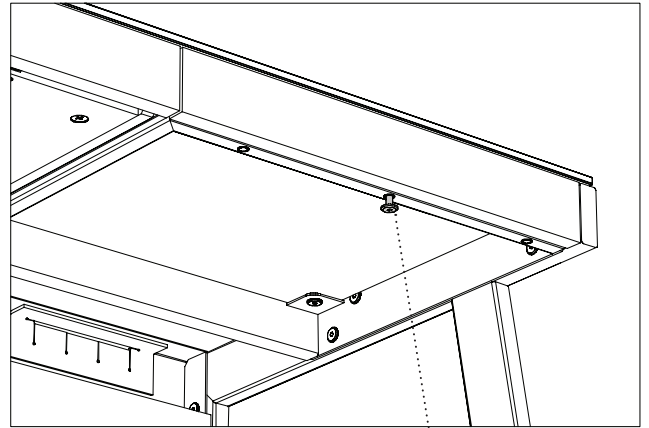


Choose
left hand or
right hand



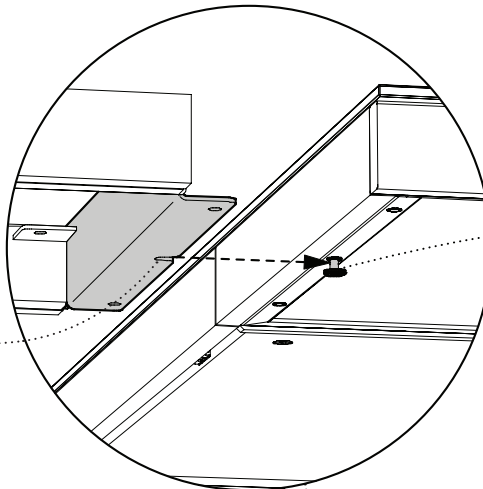
1 screw H1 half way
into middle insert
(left hand side)

or

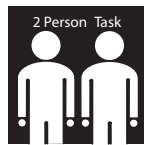
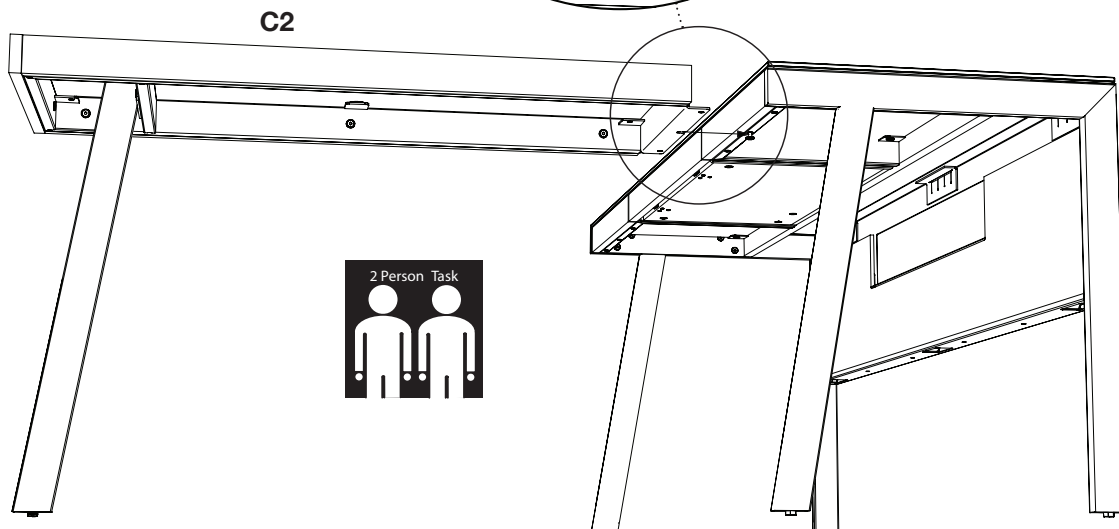


1 screw H1 half way
into middle insert
(right hand side)

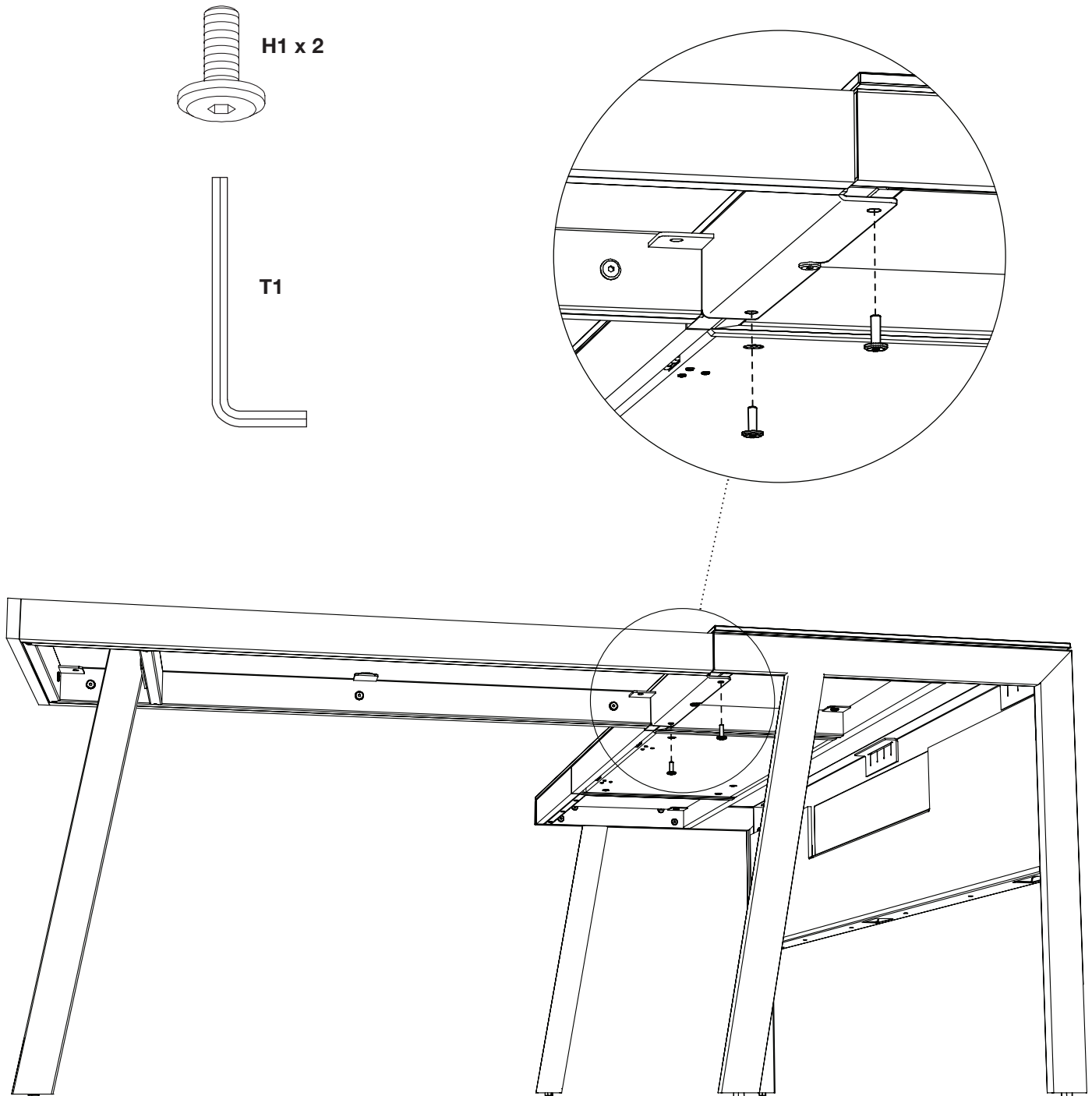
notch in end
plate



H1 



Step 4 - Insert **screws H1** into the outer holes of the end plate and tighten all screws with **hex wrench T1**.



Step 5 - With the help of another person, position the **glass panel C1** over the **frame C2** with the larger glass overhang in the front. Align all edges (with glass inset 1/16" or 1.5mm). Attach the **glass panel C1** using **screws H1** going through the 4 corner plates and tighten with **hex wrench**.

Step 6 - Adjust the leveler at the bottom of Sigma Return's **leg** if necessary.

