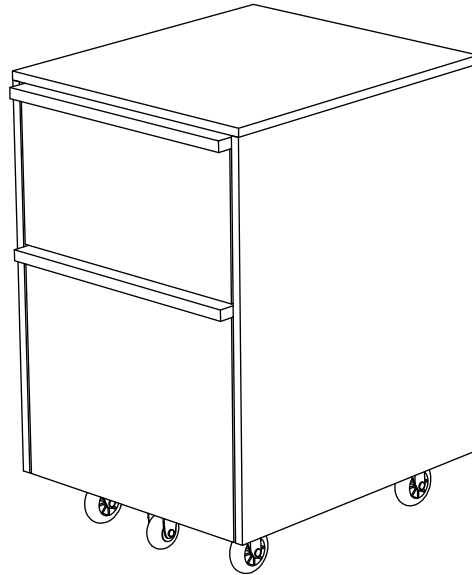


Placement and Maintenance

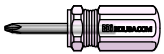
CASCADIA is designed for indoor use on level floors.



CASCADIA 6207 Mobile File

Component List

CASCADIA is engineered for easy assembly. Carefully follow this procedure to prevent any damage. Unpack and identify the components. The assembly workspace should be a non-marring surface such as clean carpet. For missing hardware pieces, please contact BDI Customer Service at customerservice@bdiusa.com. For all other concerns, please contact your BDI Retailer.



A - Phillips Screwdriver x 1



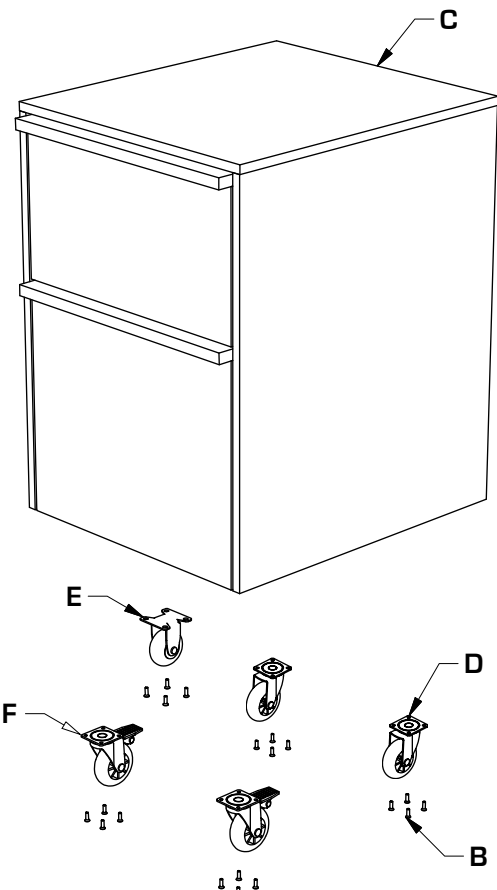
B - M4 x 12mm Screws
Phillips
x 20

C - Cabinet Assembly x 1

D - Swivel Casters x 2

E - Fixed Caster x 1

F - Swivel Locking Casters x 2



Step 1

Attach Casters

Place Cabinet upside down on clean carpet.

Attach **Swivel Casters (D)** to **Cabinet (C)** bottom at back corners, use **Screws (B)** and tighten with **Phillips Screwdriver (A)**.

Attach **Fixed Caster (E)** to raised block on bottom drawer.

Use **Screws (B)** and tighten with **Phillips Screwdriver (A)**.

Attach **swivel locking casters (F)** to **Cabinet (C)** at front corners using **Screws (B)** and tighten.

