



TVM 3415 Tilting TV Wall Mount

Article number (SKU) 3834150
Colour Black

Key Benefits

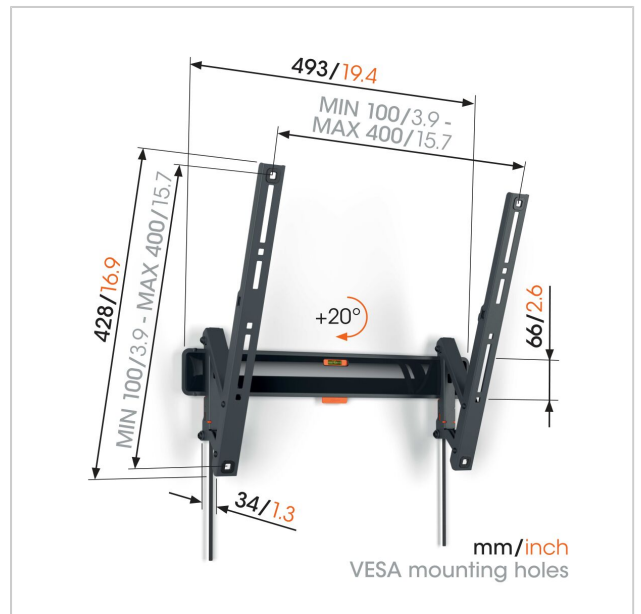
- Effortless tilting - Avoid reflections and tilt up to 20°
- Family friendly TV watching - Easy to use, safe for your family
- Lock your TV with a single click through ClickLoc™
- Spirit level included
- Protective TV patches - Protect the rear of your TV with soft protective patches

Stylish and safe: tilting TV wall mount for TVs from 32 to 65 inches

The COMFORT Tilt TV wall mount is ideal if you want to mount your TV a bit higher on the wall, for example in your bedroom. Your TV is mounted stylishly and safely. And you can tilt the screen up to 20° to create a comfortable viewing angle. The TV wall mount is suitable for TVs from 32 to 65 inches and weighing up to 25 kg.

Carefree viewing pleasure

You get more enjoyment from a TV that is mounted stylishly and securely on the wall. And that's exactly what you get with this COMFORT Tilt TV wall mount. Carefree viewing pleasure for the whole family. Your TV safely protected. Thanks to the unique ClickLoc™ security system, you can easily lock your TV to the wall mount. The audible click means that you can be sure your TV is securely locked in place. There are also soft patches on the wall mount. These prevent the back of your TV from being scratched when it is mounted. Highest safety requirements. COMFORT Tilt TV wall mounts are TÜV certified, which means that they have been successfully tested to three times their maximum weight capacity. As a result, they meet the highest safety requirements. Easy installation. Installing the COMFORT Tilt TV wall mount is quick and easy. The Quick Installation Guide will help you. You can also watch the installation video or view the detailed online manual. We have included a drilling template, screws and Fischer® DuoPower plugs in the packaging. The wall mount itself has a built-in spirit level. With our free DrillRight™ AR App, you can easily mark out the first drill hole.



TVM 3415 Tilting TV Wall Mount



www.vogels.com

VOGEL'S HOLDING BV 2019 (c) All rights reserved.
Subject to printing errors, technical and price amendments.
Date:2021-08-26

Specifications

Product type number	TVM 3410 Series
Article number (SKU)	3834150
Colour	Black
EAN single box	8712285347740
Product size	M
Height	428
Width	493
TÜV certified	Yes
Tilt	Tilt up to 20°
Guarantee	10 years
Min. screen size (inch)	32
Max. screen size (inch)	65
Max. weight load (kg)	25
Max. bolt size	M8
Max. height of interface (mm)	428
Max. width of interface (mm)	493
Max. horizontal hole pattern (mm)	400
Max. vertical hole pattern (mm)	400
Min. distance to the wall (mm)	33
Min. horizontal hole pattern (mm)	100
Min. vertical hole pattern (mm)	100
Spirit level included	Yes
What's in the box	<ul style="list-style-type: none"> • Wall mount

- Wall mounting kit with fischer® Duo Power plugs
- TV fasteners kit
- Protective TV patches
- Spirit level
- Quick Installation Guide
- DrillRight™ AR app
- Drilling template

