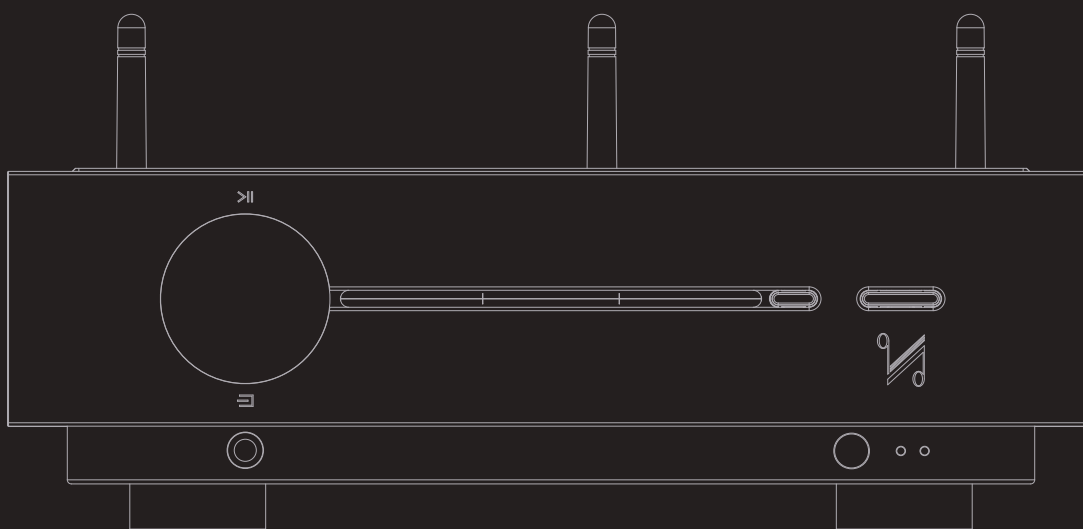


# Artera Solus Play



Wireless Streaming Integrated Amplifier / DAC / Preamplifier / CD Player

User Manual

QUAD *the closest approach to the original sound*

## IMPORTANT SAFETY INFORMATION



This lightning flash with arrowhead symbol within an equilateral triangle is intended to alert the user to the presence of non-insulated "dangerous voltage" within the product's enclosure that may be of sufficient magnitude to constitute a risk of electric shock.

**Warning:** To reduce the risk of electric shock, do not remove the cover (or back) as there are no user-serviceable parts inside. Refer servicing to qualified personnel.

This exclamation point within an equilateral triangle is intended to alert the user to the presence of important operating and maintenance instructions in the literature accompanying the appliance.

Read these instructions.

Keep these instructions.

Heed all warnings.

Follow all instructions.

Do not use this apparatus near water.

Clean only with dry cloth.

Do not block any ventilation openings. Install in accordance with the manufacturer's instructions.

Do not install near any heat sources such as radiators, heat registers, stoves, or other apparatus (including amplifiers) that produce heat.

Do not defeat the safety purpose of the polarized or grounding plug. A grounding plug has two blades and a third grounding prong. The wide blade or the third prong is provided for your safety. If the provided plug does not fit into your outlet, consult an electrician for replacement of the obsolete outlet.

Protect the power cord from being walked on or pinched particularly at the plugs, convenience receptacles, and at the point where they exit from the apparatus.



Use only with the cart, stand, tripod, bracket, or table specified by the manufacturer, or sold with the apparatus. When a cart or rack is used, use caution when moving the cart/apparatus combination to avoid injury from

tip-over.

Unplug this apparatus during lightning storms or when unused for long periods of time.

Refer all servicing to qualified service personnel. Servicing is required when the apparatus has been damaged in any way, such as power supply cord or plug is damaged, liquid has been spilled or objects have fallen into the apparatus, the apparatus has been exposed to rain or moisture, does not operate normally, or has been dropped.

**WARNING:** Only use attachments/accessories specified or provided by the manufacturer (such as the exclusive battery etc.).

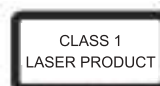
**WARNING:** The mains plug/appliance coupler is used as disconnection device; the disconnection device shall remain readily operable.

**CAUTION:** These servicing instructions are for use by qualified service personnel only. To reduce the risk of electric shock, do not perform any servicing other than that contained in the operating instructions unless you are qualified to do so.

Do not install this equipment in a confined or built-in space such as a bookcase or similar unit, and keep well ventilated in open space. The ventilation should not be impeded by covering the ventilation openings with items such as newspaper, table-cloths, curtains etc.

**WARNING:** To reduce the risk of fire or electric shock, do not expose this apparatus to rain or moisture. The apparatus shall not be exposed to dripping or splashing and ensure that objects filled with liquids, such as vases, shall not be placed on the apparatus. No naked flame sources, such as lighted candles, should be placed on the apparatus.

**WARNING:** Do not ingest the battery, Chemical Burn Hazard. This product requires 2 x AAA type batteries (not included). If the battery is swallowed, it can cause severe internal burns in just 2 hours and can lead to death. Keep new and used batteries away from children. If the battery compartment does not close securely, stop using the product and keep it away from children. If you think batteries might have been swallowed or placed inside any part of the body, seek immediate medical attention.



This label tells you that the unit contains a laser component. Opening the unit will expose the user to radiation from the laser beam.



This equipment is a Class II or double insulated electrical appliance. It has been designed in such a way that it does not require a safety connection to electrical earth.



This product will generate certain heat during use. Please pay attention to the hot surface.

**WARNING:** No naked flame sources, such as lighted candles, should be placed on the apparatus.

**WARNING:** Attention should be drawn to environmental aspects of battery disposal.

**WARNING:** Use of the apparatus in tropical climates.

# QUAD

## Artera Solus Play

### CONTENTS

|   |                           |
|---|---------------------------|
| <b>IMPORTANT SAFETY INFORMATION</b>                     | <b>Inside Front Cover</b> |
| <b>INTRODUCTION</b>                                     | <b>4</b>                  |
| <b>UNPACKING THE EQUIPMENT</b>                          | <b>4</b>                  |
| <b>USB DRIVERS (AND FIRMWARE UPDATES)</b>               | <b>4</b>                  |
| <b>PLACEMENT</b>  | <b>4</b>                  |
| <b>REMOTE HANDSET</b>                                   | <b>5</b>                  |
| <b>CONTROLS AND CONNECTIONS</b>                         | <b>7</b>                  |
| <b>INSTALLATION</b>                                     | <b>8</b>                  |
| <b>SYSTEM CONNECTION</b>                                | <b>12</b>                 |
| <b>OPERATION</b>  | <b>13</b>                 |
| <b>BLUETOOTH</b>  | <b>19</b>                 |
| <b>DTS PLAY-FI® WIRELESS STREAMING TECHNOLOGY</b>       | <b>20</b>                 |
| <b>DOWNLOAD THE APP</b>                                 | <b>21</b>                 |
| <b>WI-FI CONNECTION USING THE APP</b>                   | <b>22</b>                 |
| <b>WI-FI CONNECTION SETUP USING A WINDOWS PC OR MAC</b> | <b>24</b>                 |
| <b>APP OPERATION</b>                                    | <b>26</b>                 |
| <b>MENU SETTING</b>                                     | <b>32</b>                 |
| <b>SPECIFICATIONS</b>                                   | <b>35</b>                 |
| <b>CARE AND CLEANING</b>                                | <b>36</b>                 |
| <b>WARRANTY</b>   | <b>36</b>                 |
| <b>SERVICE</b>  | <b>36</b>                 |
| <b>INTERNATIONAL SERVICE CENTRE</b>                     | <b>36</b>                 |



The Bluetooth® word mark and logos are registered trademarks, owned by Bluetooth SIG, Inc. and any use of such marks by IAG Group Ltd is under license. Other trademarks and trade names are those of their respective owners.



aptX® software is copyright CSR plc. or its group companies. All rights reserved.

The aptX® mark and the aptX logo are trademarks of CSR plc. or one of its group companies and may be registered in one or more jurisdictions.

## INTRODUCTION

Thank you for your investment in the QUAD Artera Solus Play. We are sure that the Artera Solus Play will continue to delight you for years to come, thanks to its future-proof provisions for music playback sources.

The QUAD Artera Solus Play is designed to be the perfect match for all of your music sources and provides the necessary amplification to realise the highest quality of your music, regardless of the source.

You can link the Artera Solus Play to both analogue and digital sources, thanks to its diversity of inputs. An innovative aptX codec provides CD quality audio over Bluetooth connection. You can also make use of wireless audio streaming and multi-room systems with the built-in DTS Play-Fi technology.

With DTS Play-Fi® Technology, music can be streamed over your wireless network in high resolution format and can be easily expanded to an ultimate multi-room system, if required. You can stream from any source on your wireless network, including smart-phones, tablets or PCs as well as a NAS Drive.

DTS Play-Fi extends the functionality of the Artera Solus Play as a Bluetooth aptX / CD player / DAC / Preamp.

Please read this manual carefully to discover all the ways you can connect your equipment to the QUAD Artera Solus Play and learn how to get the best performance from all of your music sources.

## UNPACKING THE EQUIPMENT

The carton contains:

- The QUAD Artera Solus Play
- One IEC mains cable with a plug suitable for your area
- Three receiver antennas
- One glass top
- One remote controller
- One QUAD Artera Solus Play user manual

Please note: The remote control requires 2 x AAA type batteries. Due to international shipping and courier regulations with Lithium Ion batteries, the remote controller battery is not included in this package.

Consult the dealer from whom you purchased the equipment if any item is not present. Carefully unpack the unit and accessories. Take care not to damage the surface finish when undoing the protective polythene sleeve. Retain the packing materials for future use. Retain the user manual and information concerning the date and place of purchase of your equipment for future reference. If you transfer the unit to a third party please pass on this instruction manual along with the equipment.

## USB DRIVERS (AND FIRMWARE UPDATES)

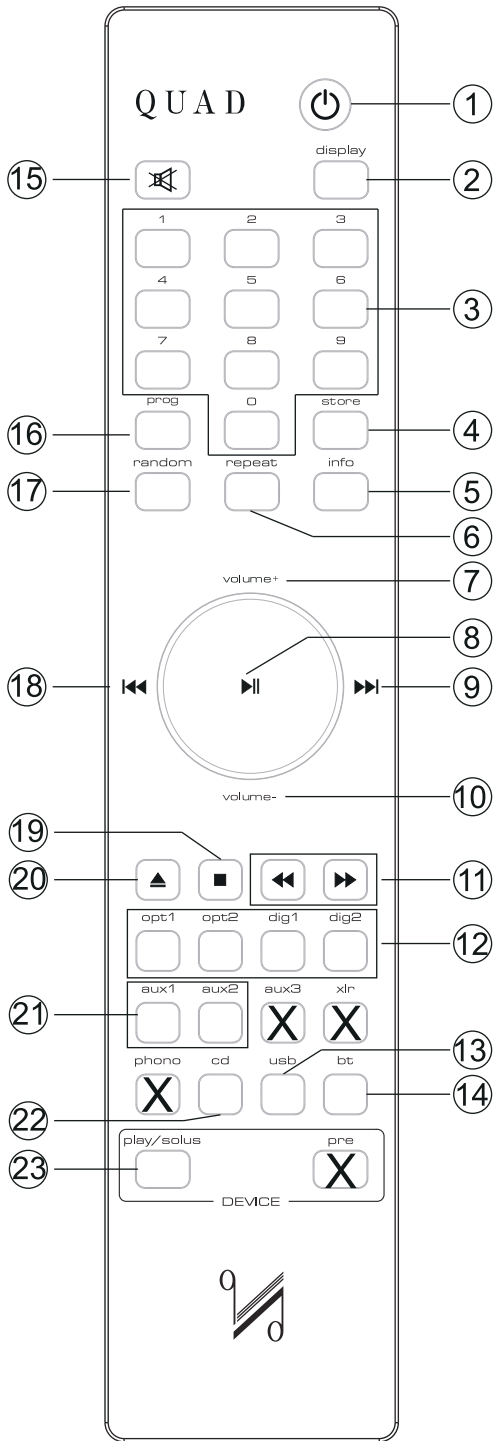
To download Windows Drivers, please see the separate manual. Any firmware updates will also be available from [www.quad-hifi.co.uk](http://www.quad-hifi.co.uk)

## PLACEMENT

The unit must be mounted on a solid, level and stable surface. If you are likely to play your system at high volume levels, the Artera Solus Play should be mounted on its own shelf with sufficient ventilation above and to the sides and rear.

Before you connect the Artera Solus Play to the mains, ensure your AC mains voltage corresponds to the rating on the rear panel of the product. If in doubt, consult your dealer. If you move to an area which has a different AC mains voltage, seek advice from a QUAD appointed dealer or a competent service technician.

# REMOTE HANDSET



- |               |   |
|---------------|---|
| 1 Standby     | Press to enable/disable standby                         |
| 2 Display     | Press to alter the display ON/OFF                       |
| 3 Number keys | Select tracks   |
| 4 Store       | Press to store a track in Program mode                  |
| 5 Info        | Press to display more information                       |
| 6 Repeat      | Press to select a repeat mode                           |
| 7 Volume+     | Increase volume   |
| 8             | Play/Pause, for CD/USB / BT / Play-Fi/ Spotify playback |
| 9             | Select next track                                       |
| 10 Volume-    | Decrease volume   |
| 11            | Press and hold to Fast reverse/Fast forward search      |
| 12 Digital    | Press to select Digital inputs                          |
| 13 USB        | Press to select the USB input                           |
| 14 BT         | Press to select Bluetooth                               |
| 15 Mute       | Press to mute/unmute the sound                          |
| 16 Prog       | Press to enter a program of tracks                      |
| 17 Random     | Press and hold to enter Menu setting                    |
| 18            | Press to select/deselect random play                    |
| 19            | Press once to replay the current track                  |
| 20            | Press again to move to the previous track               |
| 21 Aux1/Aux2  | Press to switch the Menu setting                        |
| 22 CD         | Press to stop CD Playback                               |
| 23 Play/Solus | Press to eject/load the disc                            |
|               | Press to select analogue inputs                         |
|               | Press to select CD playback                             |
|               | Press to select Artera Solus Play mode                  |

## Remote Controller Preparation

- Unpack the handset
- Invert the handset
- Remove the battery cover
- Insert 2xAAA type new batteries (not supplied)
- Close the battery cover

## Futura Hv BT

To prevent any burning, fire, or any possible harm to the environment or human health from the depleted batteries, please correctly dispose of the waste batteries in light of the recycling rules in your area. Don't dismantle, crush or puncture the batteries. Never short-circuit the batteries, throw the batteries into the water or fire or even try to repair them.

## Handset Operation

Point the handset at the remote receiver and press the relevant key. The handset should be within 15 metres of the player and there must be a clear line of sight between the two units.

Selecting tracks with the number keypad:

If there are less than 10 tracks: pressing any number will begin playback from the track selected.

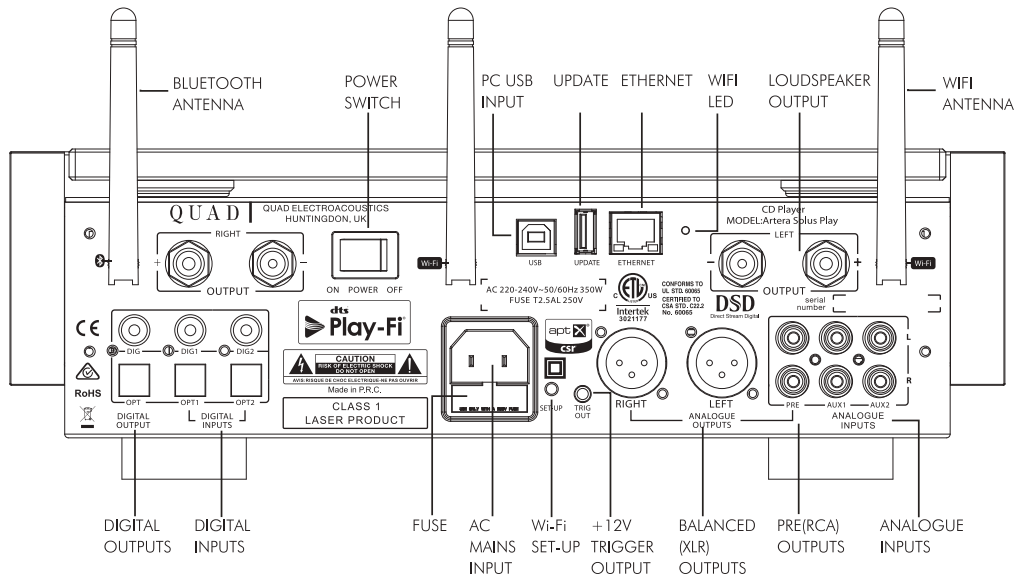
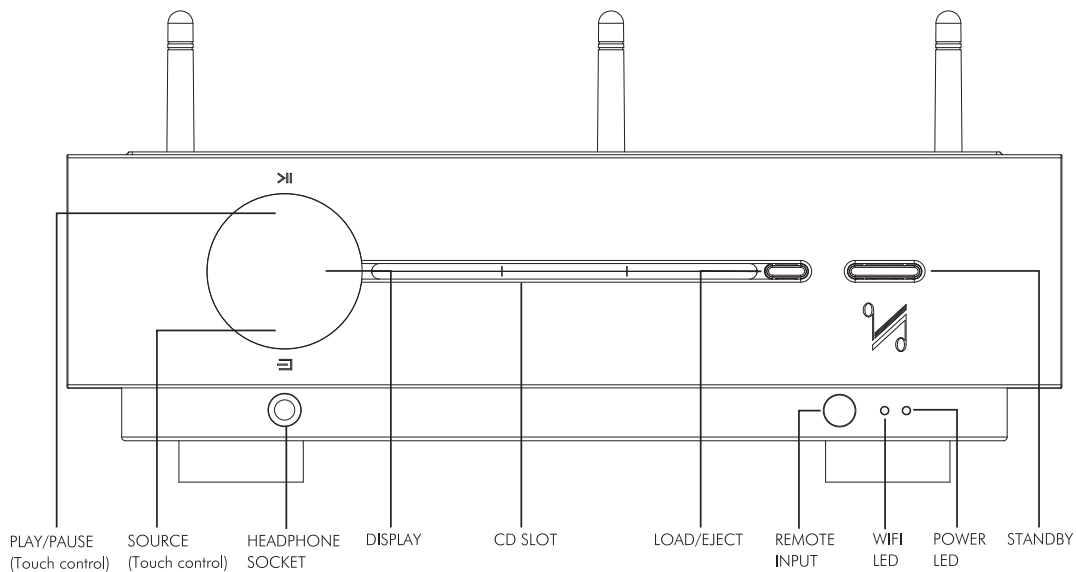
If there are 10 - 19 tracks: If you press any key other than "1" the player will jump to the track.

If "1" is pressed the player will pause briefly to allow you to enter another digit. If no key is pressed within the three seconds, track 1 will play.

If there are between 20 & 29 tracks: If you press any key other than "1" or "2" the player will jump directly to the track. If you press "1" or "2" the player will pause briefly to allow you to enter another digit before starting playback, and so on.



# CONTROLS AND CONNECTORS



# INSTALLATION

Open the carton box, take out the glass top and the Artera Solus Play separately. Place the Artera Solus Play onto a sturdy shelf or table. Put the glass top on the lid of Artera Solus Play after making all connections.

Before making any connections to your high fidelity equipment make sure that all units in the system are switched off and unplugged at the mains.

## Mains Connections

Before connecting your QUAD equipment to the AC mains supply, check and make sure the voltage marked on the back matches the voltage of your supply.

### Power On/Off switch

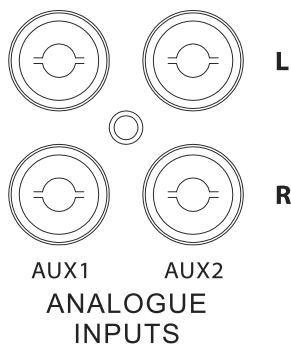
The Power On/Off switch is on the rear panel of QUAD Artera Solus Play. When the TRIG OUT(+12V) of Artera Solus Play is connected to TRIG IN of QUAD Artera Stereo using a 3.5mm mono cable then the triggers are ready for the connection. This switch should be left switched on as the Artera Solus Play will remotely switch QUAD Artera Stereo on when it is brought in and out of standby. The On/Off switch may be switched off when Artera Stereo or Artera Solus Play is not in use.

## Analogue Signal Input Connections

### The Unbalanced Input

AUX1 and AUX2 are two sets of RCA unbalanced analogue inputs.

Connect RCA phono interconnects between the unbalanced input on the Artera Solus Play rear panel with the matching output of the source unit. Interconnects should be of low-noise construction and fully screened to minimize hum and noise transmission.

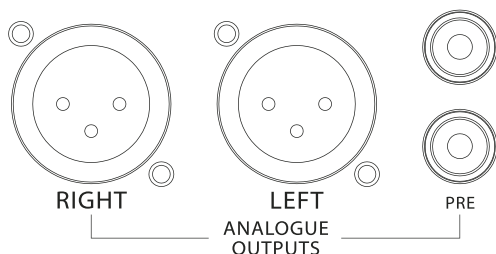


## Analogue Signal Output Connections

### The XLR Balanced Output

If you are connecting a QUAD Artera Solus Play to a QUAD Artera Stereo or other amplification with balanced inputs we strongly advocate the use of the balanced XLR connections.

A major advantage of balanced interconnects is the suppression of ground loop problems. Balanced line inputs use 3 conductors, one for the ground and two for the voltage difference between the signal and the ground at the source unit. The signal is thus 'cleaner' and free from earth-induced currents and other LF artefacts and provides an improved S/N ratio.





## The Unbalanced Output

The QUAD Artera Solus Play has one set of unbalanced RCA analogue signal outputs (PRE) for connection to units which do not feature balanced inputs.

## Headphone Output

A stereo 6.3mm(1/4") jack is provided on the front panel for connecting headphones. Connecting headphones mutes the audio signal to the speaker outputs. Artera Solus Play headphone output is graded up to 100, users can select a comfortable output level to suit their headphones.

Caution: When using headphones, playing music at very high volumes may permanently damage your hearing.

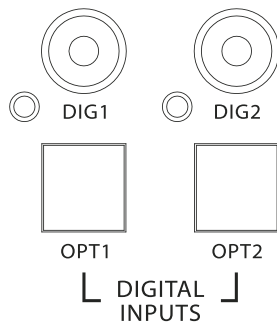


## Digital Signal Input Connections

As the DACs in the Artera Solus Play will be superior to those of regular DVD players, DVB receivers, etc. we urge you to use the digital inputs of the Artera Solus Play for superior sound reproduction. The digital inputs are customizable to suit your source equipment.

### Coaxial Inputs

DIG1 and DIG2 are coaxial SPDIF inputs. Connect an RCA digital interconnect between the digital coaxial output of the source unit to the required input on the Artera Solus Play.

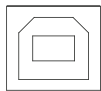


### Optical Inputs

OPT1 and OPT2 are optical SPDIF inputs. Connect an optical (TOSlink) interconnect between the digital optical output of the source unit to the required input on the Artera Solus Play.

### USB Input

The USB input enables you to connect a Mac or PC to the Artera Solus Play for playing audio files stored on a computer. Connect a USB cable between a USB port on the computer to the USB input on the Artera Solus Play.



USB

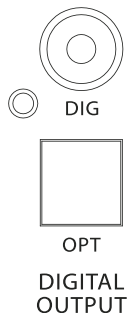
Digital interconnects should be adequately specified and kept short to optimise performance.

## Digital Signal Output Connections

Two digital outputs are provided. These outputs are for those who wish to connect the Artera Solus Play to the digital (SPDIF) inputs of external devices.

## DIG & OPT Outputs

A coaxial and an optical output are available. These are the connections that will be normally used to connect the Artera Solus Play to external standard audio DACs.



## Software Update

Artera Solus Play supports USB disk upgrade:

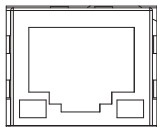
Put the file "Artera.bin" on the USB disk, plug it into the UPDATE USB interface, press and hold the "STANDBY" button on the front panel while switching the power on (using the rear panel switch). Artera Solus Play will upgrade automatically.



UPDATE

## Ethernet Port

Use a suitable cable to plug the Ethernet Port to the LAN port of a wireless router for wired connection. It is recommended to use a wired connection when playing high resolution audio, which makes the playback more stable and smooth.



ETHERNET

## Speaker Output

One pair of amplifier outputs is provided on the rear panel to connect loudspeakers. Loudspeaker cables should be prepared carefully. Make sure that all channels are connected in phase. The positive (red) output terminal of each channel should be connected to the positive (red) terminal of the speaker.



## Wi-Fi / Bluetooth Antenna

DTS Play-Fi is compatible with any router which is authenticated to Wi-Fi standards. We recommend the use of 802.11n or better which enables 2.4GHz and 5GHz transmission frequencies. If you have the option, 5GHz connection will give the most stable performance.

Bluetooth uses the same antenna as Wi-Fi, and supports the 2.4GHz frequency band. In order to achieve the best effect and the best stability of Bluetooth playback, please position the antenna vertically and the broadcasting device within 10m.