

RADIUS™ 8839 MEDIA CONSOLE



Product Registration

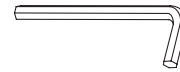
Registering your new BDI product allows us to send you important product updates, service information and helpful hints related to your BDI products. Register today, and you will be entered to win free a BINK table from BDI: www.bdiusa.com/register

bdiusa.com
customerservice@bdiusa.com

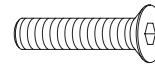
Placement and Maintenance

Your Radius Media Cabinet is designed for indoor use on level floors. Clean painted surfaces and steel parts with a moist cloth.

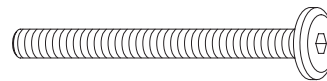
Radius is engineered for easy assembly. Carefully follow this procedure to prevent any damage. Do not use power tools for assembly of this product.



T1 Hex Wrench x 1



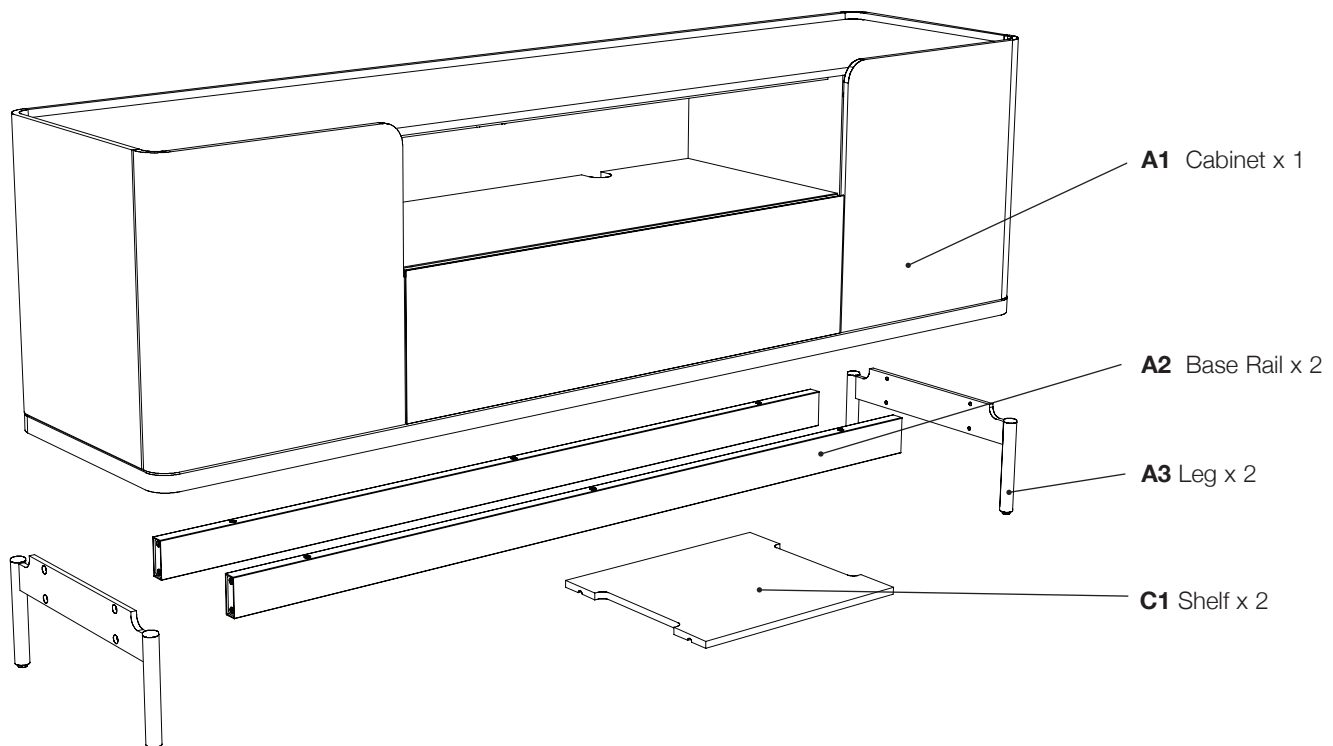
H1 1/4-20 x 25 mm
Flathead Screw x 8



H2 1/4-20 x 80 mm
Screw x 6

Step 1

Unpack and identify the parts listed below. The assembly workspace should be a non-marring surface such as carpet. For missing hardware pieces, contact BDI Customer Service at: customerservice@bdiusa.com. For all other concerns, please contact your BDI retailer.

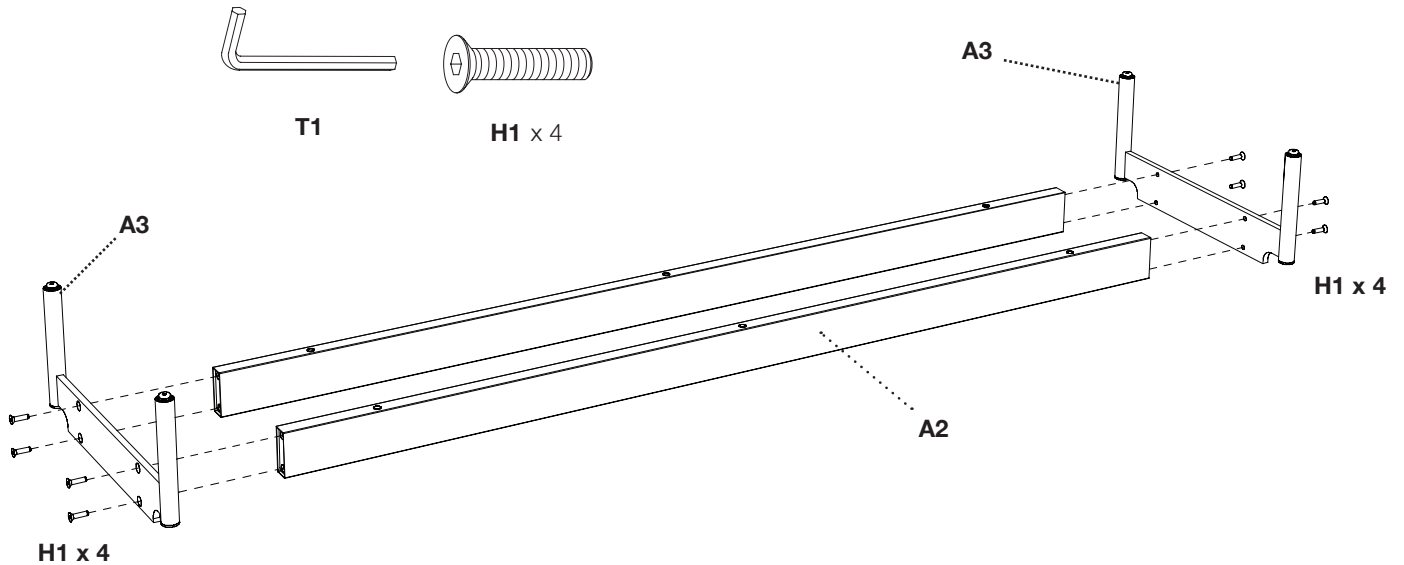


Designed by Alyssa Coletti.

These distinctive product configurations are protected by US and international patents, trade dress, and/or copyright laws. Radius & BDI are trademarks of Becker Designed, Inc. All rights reserved. ©2017, BDI
Made in China. 4.24.2018 Rev1

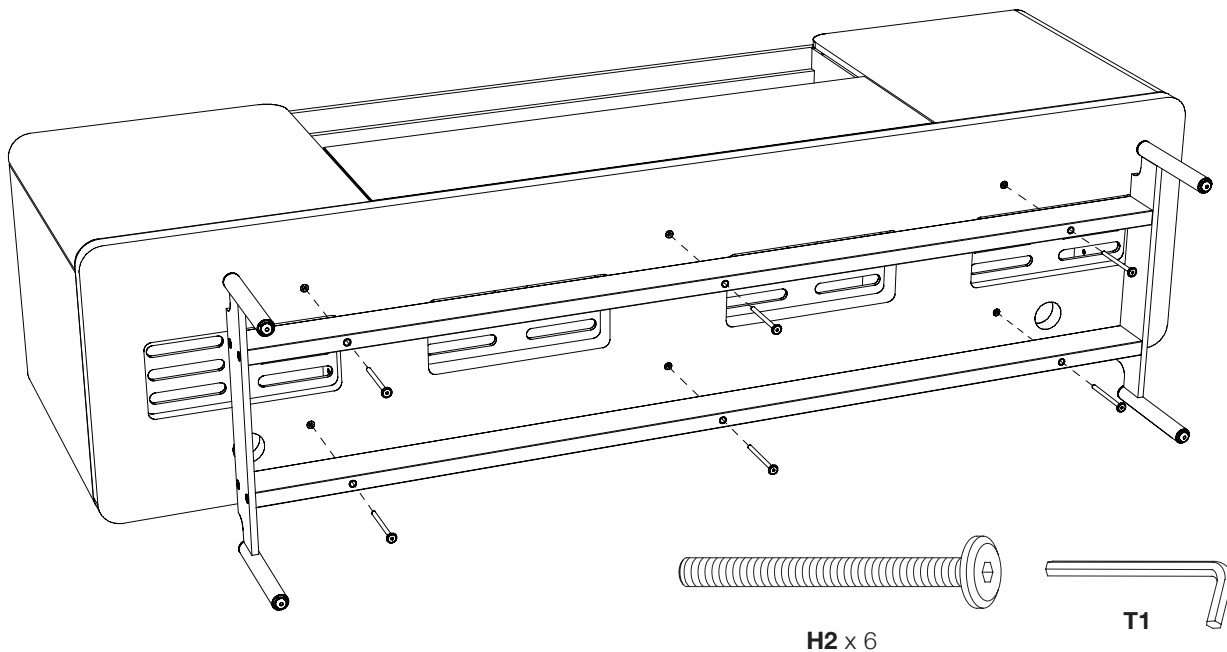
Step 2 - Assemble the base

Attach the **2 legs A3** to **2 base rails A2** with **8 flathead screws H1** using **hex wrench T1**. Make sure the countersunk holes on the **legs** are positioned on the outside.



Step 3 Attach the base

With help from another person, carefully position the cabinet on its back. Attach the **base** using **6 screws H2** going through the **base rail** and into the threaded holes on the bottom of the cabinet. Tighten with **hex wrench T1**.



Step 4 Stand Up / Level your unit

With help from another person, carefully position the cabinet onto its base. Check to make sure the cabinet is level and that all legs are touching the ground. Adjust levelers if needed.

STEP 5 - Adjust Shelves

The **2 shelves C1** in your Radius Media Cabinet are adjustable. Shelf pins may be unscrewed and moved up or down.

STEP 6 - TV Safety Strap

Your Radius Media Cabinet is equipped with a **TV safety strap**. If using a TV, locate the bundled strap tucked inside the back of the cabinet, unravel and connect the 2 loose ends of the Y strap to your TV. See hang tag for detailed instructions.

