

# CORRIDOR® 5620 COMPACT BAR

bdiusa.com  
customerservice@bdiusa.com



## Product Registration

Registering your new BDI product allows us to send you important product updates, service information and helpful hints related to your BDI products. Register today and you will be entered to win free a BINK table from BDI. [www.bdiusa.com/product-registration/](http://www.bdiusa.com/product-registration/)

## Placement and Maintenance

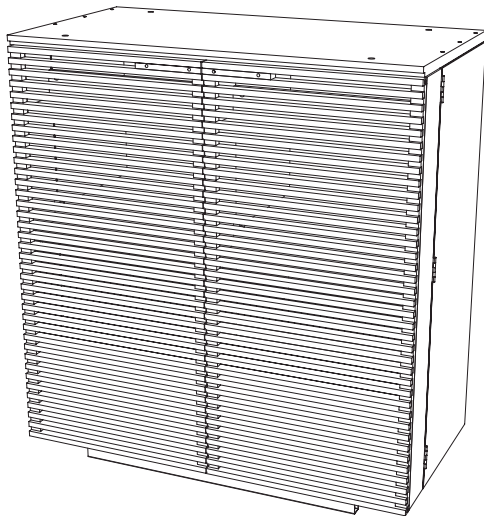
Corridor® furniture is designed for indoor use on level floors. Clean glass with glass cleaner, and steel parts and wood veneer with a moist cloth.

Your Corridor® furniture is engineered for easy assembly. Carefully follow this procedure to prevent any damage.

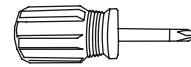
Do not use power tools for assembly of this product.

## Step 1

Unpack and identify the parts listed below. The assembly workspace should be a non-marring surface such as carpet. For missing hardware pieces, please contact BDI Customer Service at [customerservice@bdiusa.com](mailto:customerservice@bdiusa.com). For all other concerns, please contact your BDI retailer.



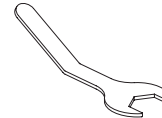
**D - Cabinet x 1**



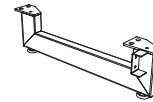
**A Phillips Screwdriver x 1**



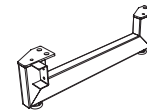
**B Hex Wrench x 1**



**C Leveler Wrench x 1**



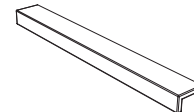
**E Metal Leg, Right x 1**



**F Metal Leg, Left x 1**



**G 1/4-20 x 15 mm Screw x 12**



**H Door Pull x 2**



**I M4 x 25 mm Screw x 4**



**J Rubber Bumper x 1**



**K Glass Top x 1**

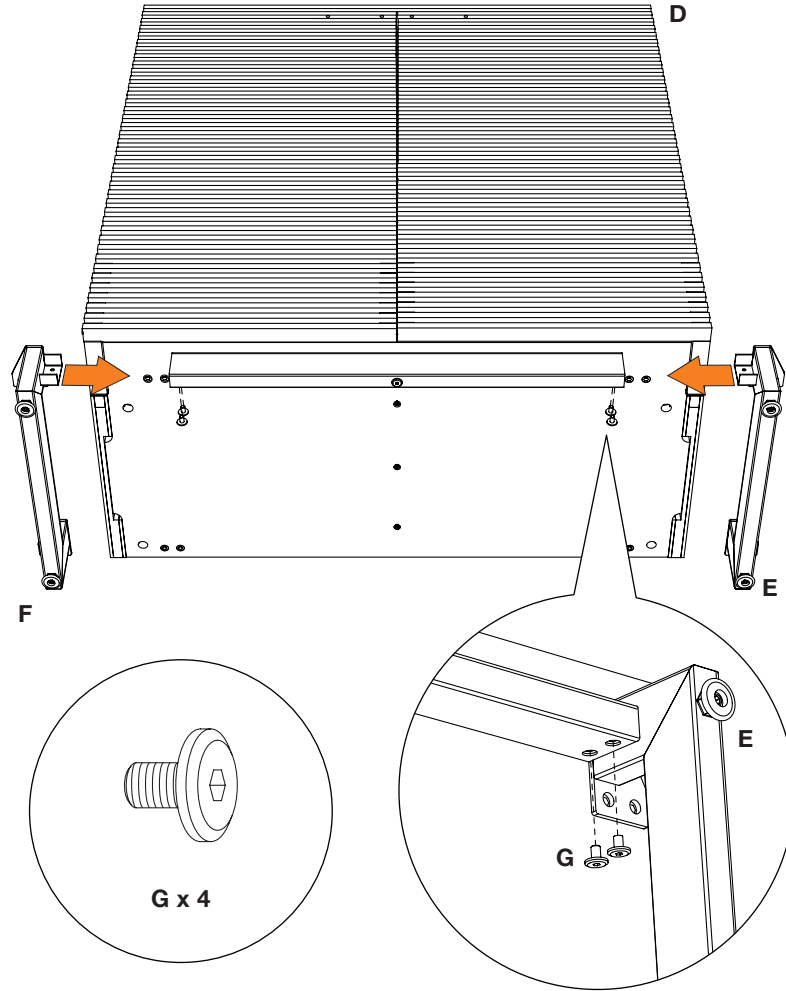


**L M6 Screw (Silver) x 4**

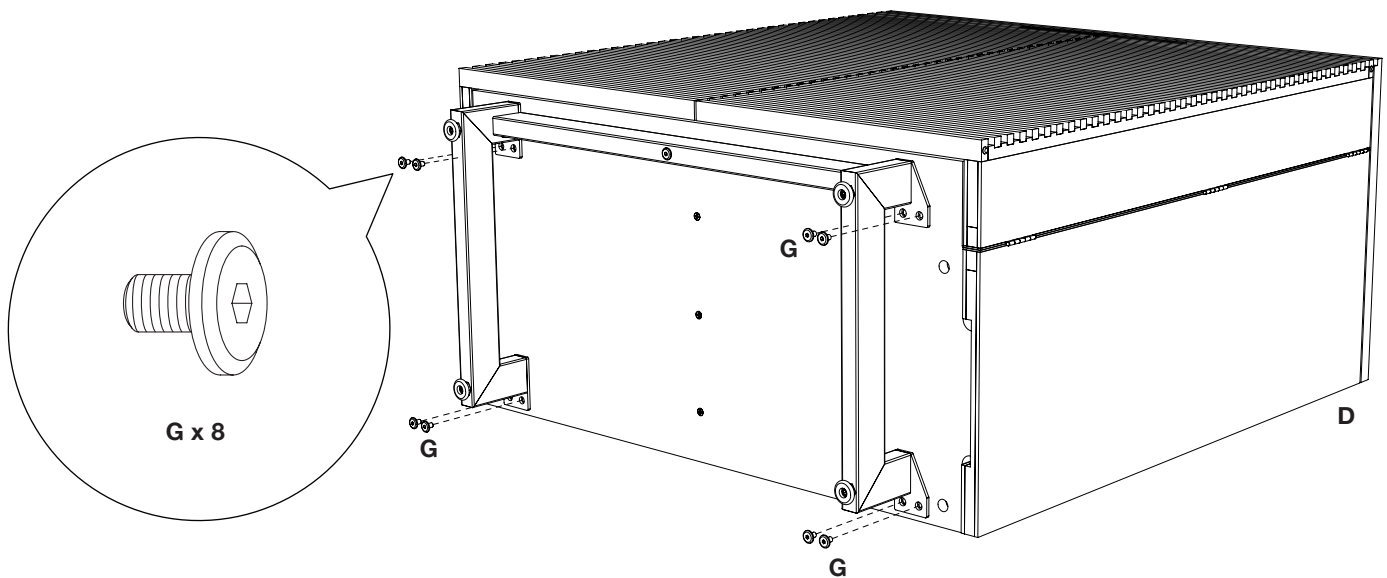
Designed by Matthew Weatherly.

These distinctive product configurations are protected by US and international patents, trade dress, and/or copyright laws. Corridor & BDI are trademarks of Becker Designed, Inc. All rights reserved. ©2016, BDI  
Made in China. 03.14.2016 V4

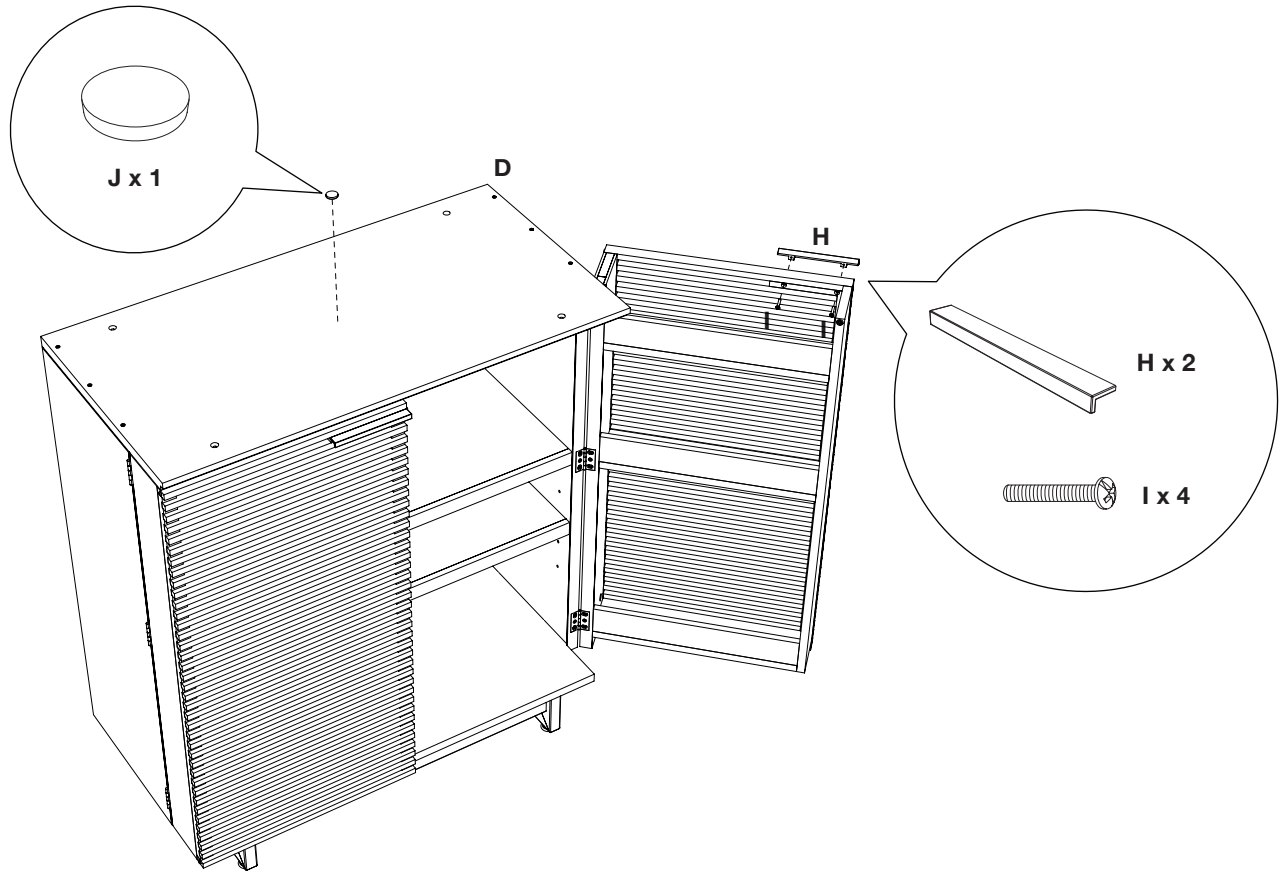
**Step 2** - With the **Cabinet D** on its back, slightly loosen screw attaching metal rail to **Cabinet D** using **Hex Wrench B**. Slide tab of **Metal Legs E,F** into metal rail and attach to cabinet by using **Screw G** and **Hex Wrench B** until fully tightened.



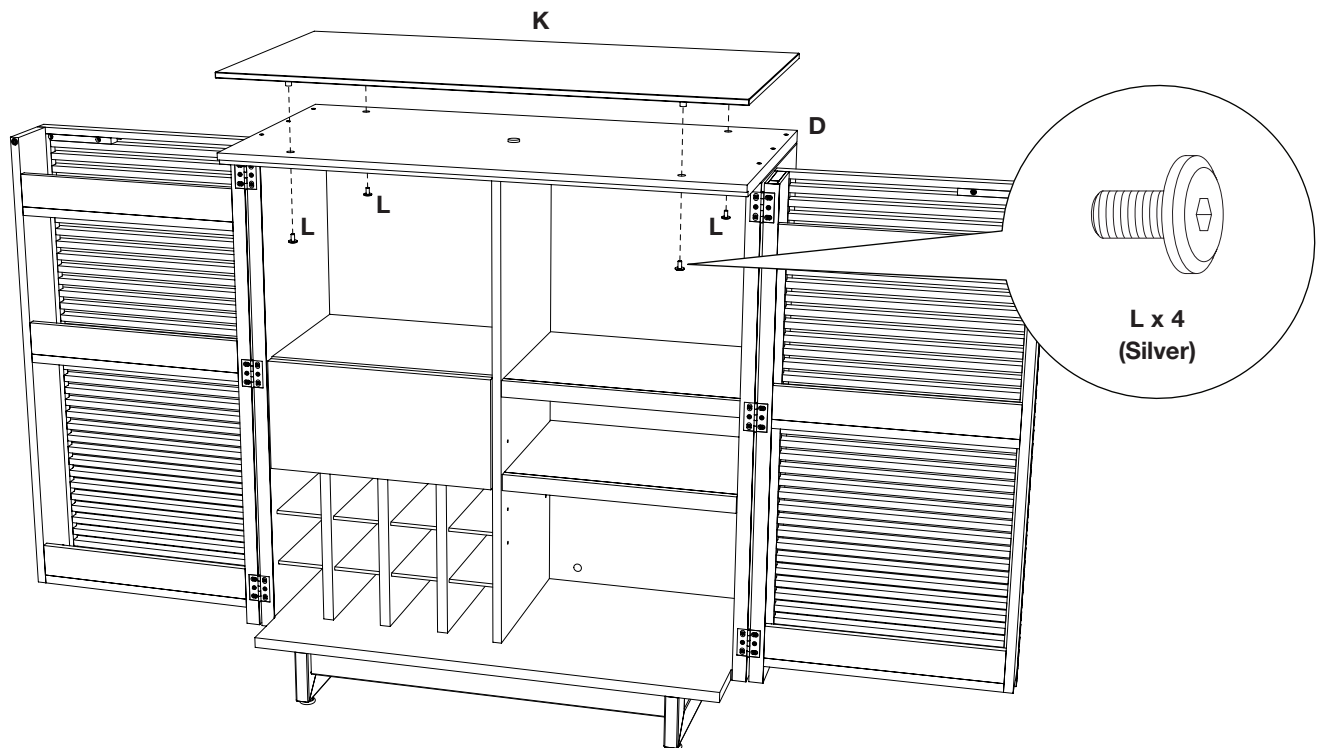
**Step 3** - Using **Screw G**, attach **Metal Legs E,F** to **Cabinet D** with **Hex Wrench B**. Do not overtighten.



**Step 4** - With help from another person, carefully position Cabinet upright and install **Door Pulls H** using **Screw I** and **Phillips Screwdriver A**. Adhere **Rubber Bumper J** to center of the top of **Cabinet D**.

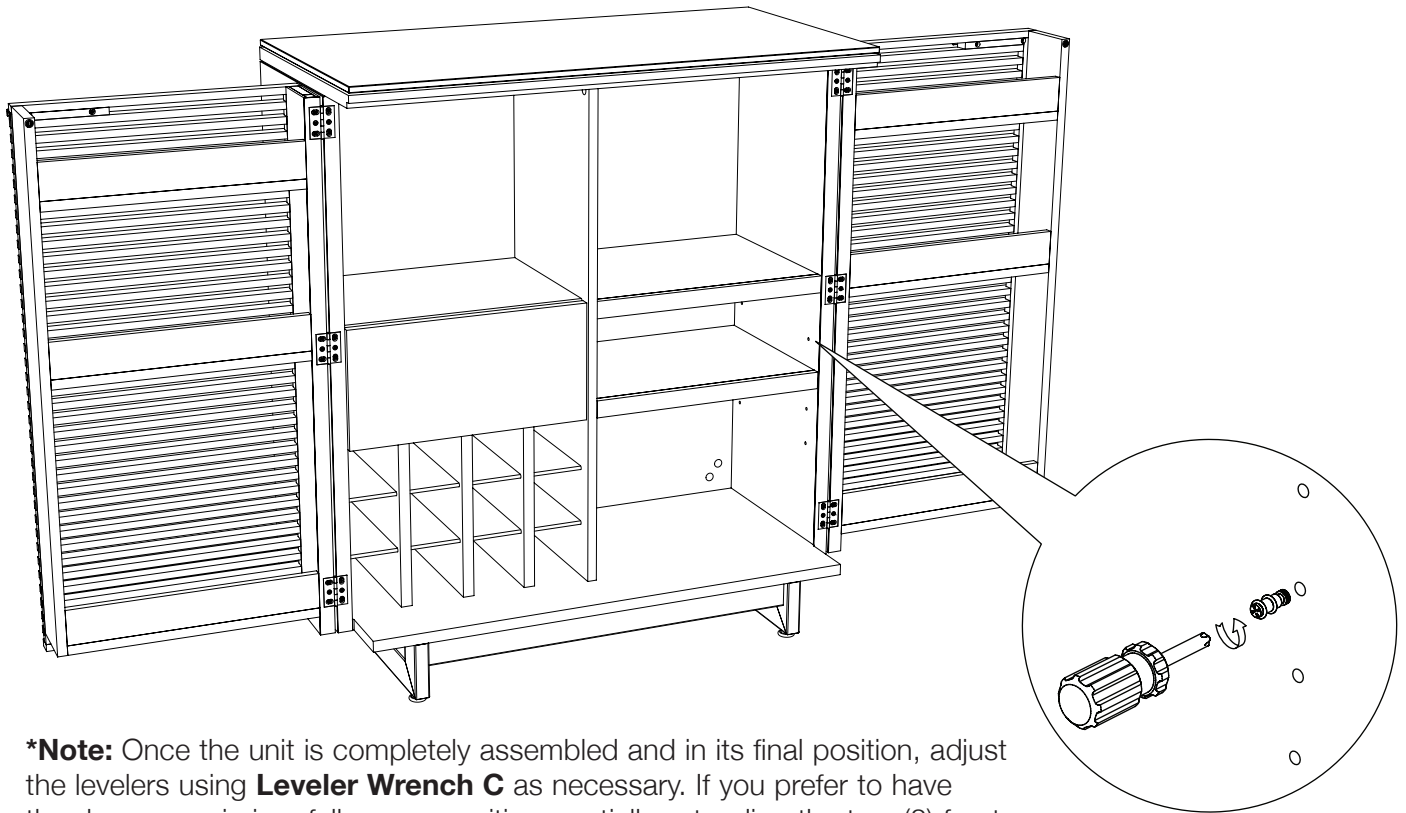


**Step 5** - Attach **Glass Top K** to **Cabinet D** using **Screw (silver) L** and **Hex Wrench B**. Do not overtighten.



## Adjustable Shelf

The shelf pins located inside the right compartment may be repositioned using **Screwdriver A**, allowing you to raise or lower the **Adjustable Shelf** to the desired level.



**\*Note:** Once the unit is completely assembled and in its final position, adjust the levelers using **Leveler Wrench C** as necessary. If you prefer to have the doors remain in a fully-open position, partially extending the two (2) front levelers is desirable. This action will orient the cabinet back slightly, preventing the open doors from swinging towards their closed position.