

ICS-8



Custom Install

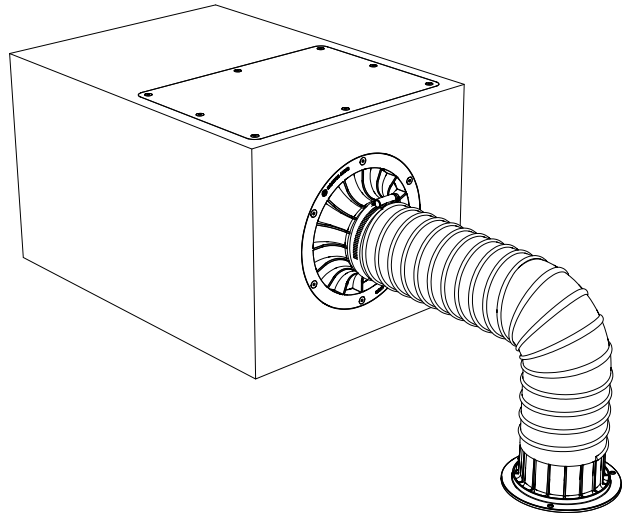


## Flush fit, deep bass

The Monitor Audio ICS-8 architectural subwoofer discreetly operates from concealed placements, yet delivers deep, room filling bass. Using an enclosure skilfully designed to reduce its overall height, the ICS-8 unit houses a 20 cm driver designed with Monitor Audio's renowned C-CAM metal cone technology. A stunning standalone subwoofer, the ICS-8 is also the perfect visual and audio match for its Monitor Audio sibling, the CF230 discreet speaker.

### Pre-construction focused with added flexibility

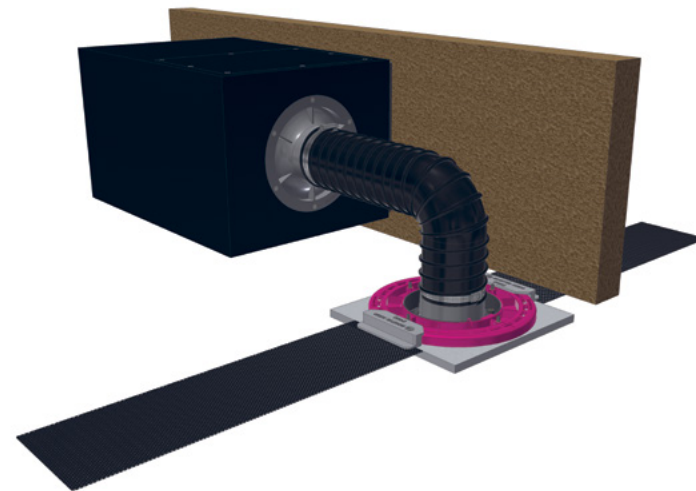
In most projects, the ICS-8 fitting will form part of a pre-construction process, though, where access can be made, the subwoofer can also add to an existing build. In retrofits, simply ensure the joists are deep enough to allow for the box depth of 235 mm (9 1/4"). With all fits in mind, Monitor Audio designs the ICS-8 to fit between standard joist spacing and provides it with an anti-vibration install layer. In all builds, installation of this flexible subwoofer isn't restricted to ceiling mounting – as long as the depth permits, you can mount the ICS-8 under floors or other available cavities.



### A joy to fit, as well as to behold

The ICS-8's thoughtfully designed pre-construction kit makes the installation process a rewarding experience from start to finish. Mounting this bracket enables you to prepare the cut-out hole, and – after the plasterboard is fitted – lets you secure the tube to the d-ring. The 'mud bank' fits to the plasterboard prior to plastering, and the plastering shield allows skimming up to, and very slightly over, the entire bracket. When dry, sand back the area around the aperture to reveal a beautifully precise, clean edge.

The resulting fit, especially when the grille is painted to match the ceiling colour, is extremely discreet, with no edges or shadow to catch the eye. Round (CFB3-R) and square (CFB3-SQ) options can be specified and ordered individually to suit the design requirements. This unique design has a patent pending (Ref: DLR2039.00/M)



### Audio is out of sight

With the ICS-8, Monitor Audio draws on 45 years' experience in the world of speaker design. Using the renowned Monitor Audio C-CAM cone technology, the ICS-8's 20cm long throw driver is a master of bass delivery. Angled internally in the rigid MDF enclosure to reduce the ICS-8's overall box height, this specially designed driver operates in the small bandpass area, treating listeners to tuneful, punchy bass.

### Picture perfect performance

Designed by the same team that specified the CF230, the ICS-8 subwoofer works beautifully well with its discreet speaker sibling – bringing deep, taut bass to an already great sounding full range speaker. Combine the ICS-8 with a maximum of eight CF230s, providing the sub with a single/mono channel of amplification, and you can create a sensational sound system, which operates with aplomb out of incredibly unobtrusive openings. With regards to power, the Monitor Audio IA150-8C eight channel DSP amplifier effortlessly drives six CF230s with two spare channels to take charge of a single ICS-8, or even a pair of the new subwoofers.



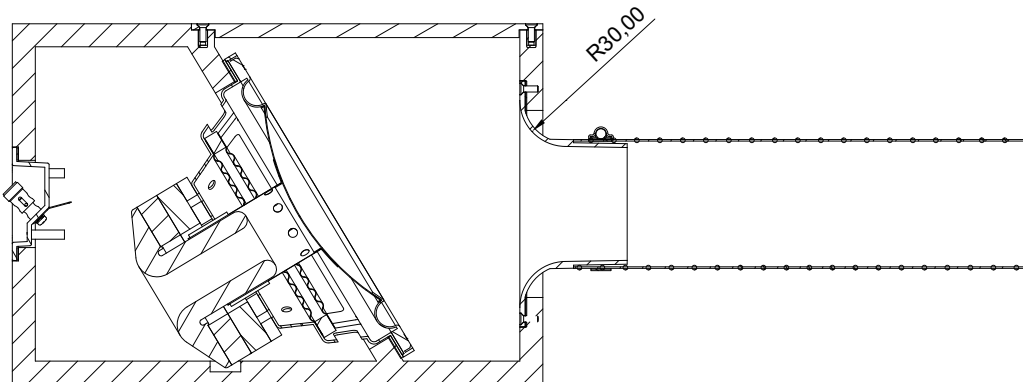
Installation Guide video available,  
scan the QR code or visit:  
[vimeo.com/monitoraudio/ics8](https://vimeo.com/monitoraudio/ics8)

## Key Features:

- Architectural, discreet pre-construction subwoofer
- Can be installed in ceiling, underfloor or suitable cavities
- Delivers powerful bass down to 40Hz
- Complements the CF230 in a full range 2.1 system
- High performance, long throw 20cm driver, featuring C-CAM cone technology
- Flush fit mounting kit
- Designed to complement flush fit downlighting systems
- Round and square grille options
- Sealed bandpass enclosure design - stops ingress of dirt and building materials
- Silicon rubber damping pads fitted to cabinet



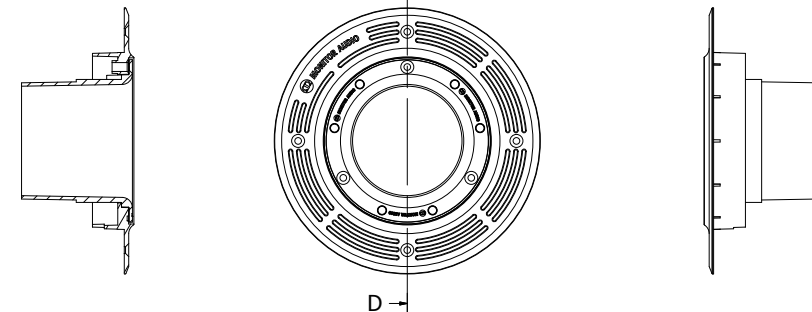
Flush Fit grilles



## Specifications

	ICS-8
Frequency Response (-6 dB)	40 Hz –120 Hz
Sensitivity (1W@1m)	85 dB
Impedance (nominal)	8 Ohms
Maximum SPL (@1 M)	107 dB
Power handling	150 W (full range – IEC268-5 rating)
Recommended crossover	Low pass filter at 120 Hz, 12 – 24 dB/Octave
Amplifier requirements	150 Watts RMS
Driver complement	20 cm long throw bass driver, featuring C-CAM cone technology
Box dimensions	396 x 280 x 235 mm (L x W x H)
Vent dimensions	427 mm long x 75 mm DIA
Connection	Sprung push type terminals – Gold plated
Weight	10.2 kg
Brackets	Flush Fit – CFB3-R (round grille) or CFB3-SQ (square grille) Pre-construction bracket included in above kits
Cabinet construction	15 mm MDF construction, vinyl laminate surface
Finish	Black cabinet White grille - paintable
Compliance	RoHS, CARB2.

CEILING FLANGE IN  
MUDBANK



## ICS-8 Brackets

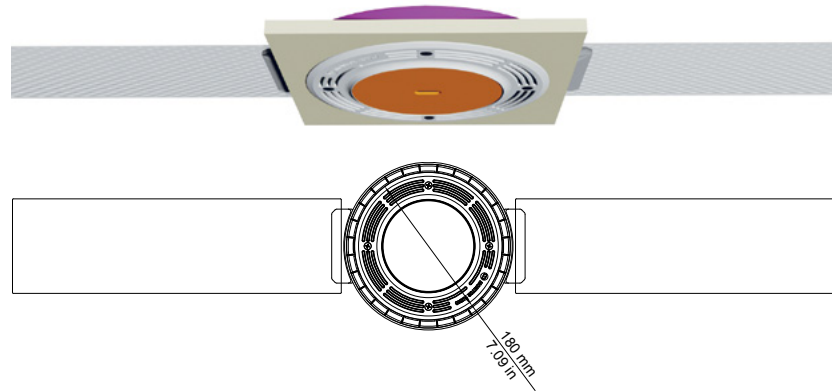
The ICS-8's is installed using one of these brackets.

Order CFB3-R for the round grille and CFB3-SQ for the square grille.

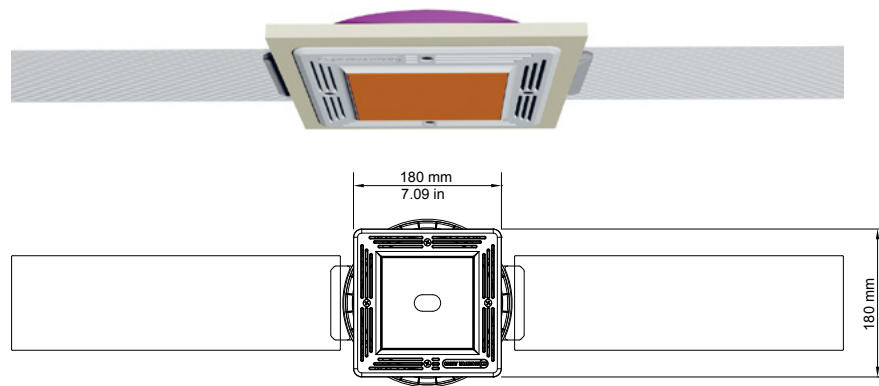
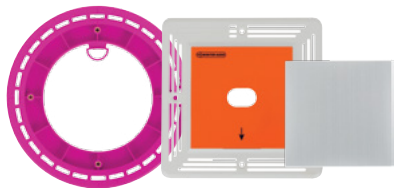
### Pre-Construction Flush Fit Brackets

In a pre-construction set-up, the ICS-8 package enables a seamless, flush fit appearance. You get clean lines, with no shadow-creating edges, and paint the grille to match the ceiling and the speaker disappears even further into the background.

#### CFB3-R (Round)



#### CFB3-SQ (Square)



Monitor Audio Ltd  
24 Brook Road,  
Rayleigh, Essex,  
SS6 7XJ England  
T. + 44 (0)1268 740580  
F. + 44 (0)1268 740589  
E. [info@monitoraudio.co.uk](mailto:info@monitoraudio.co.uk)

[monitoraudio.com](http://monitoraudio.com)