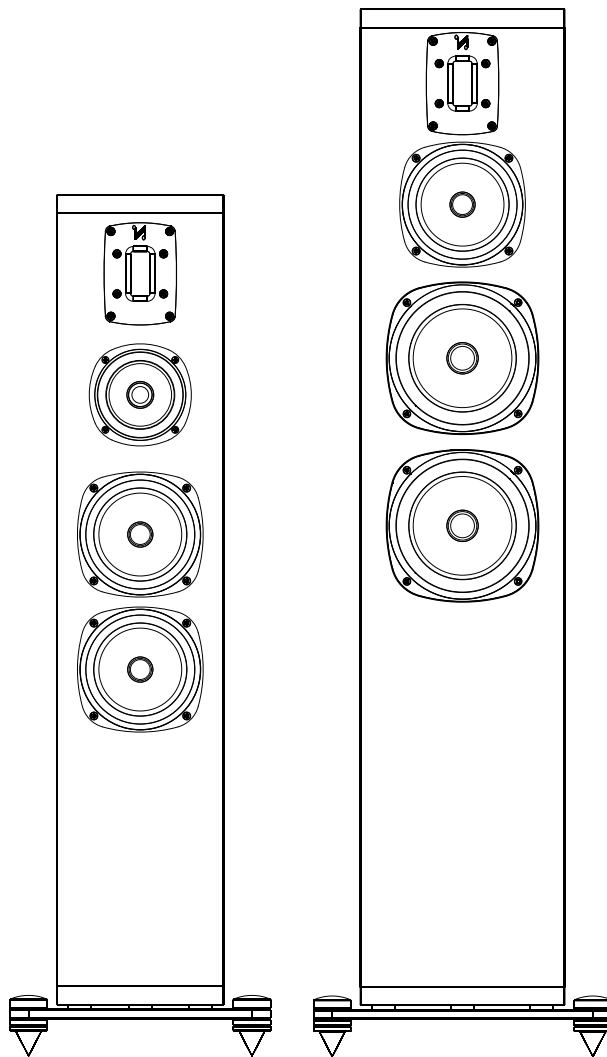
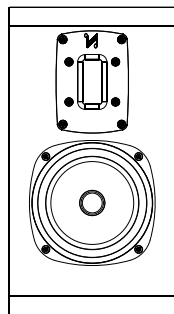
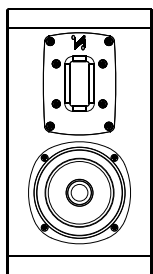
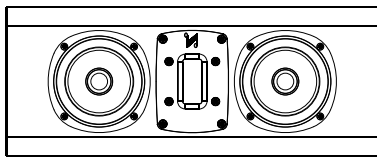




S Series

SC
S1
S2
S4
S5



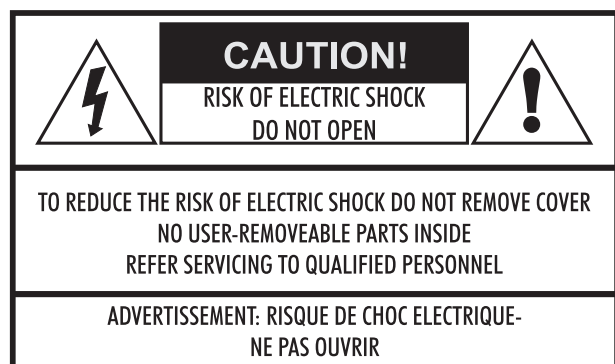
Owner's Manual

QUAD

the closest approach to the original sound



Important Safety Caution



This symbol indicates that there are important operating and maintenance instructions in the literature accompanying this unit.



This symbol indicates that dangerous voltage constituting a risk of electric shock is present within this unit.

Read these instructions.

Keep these instructions.

Heed all warnings.

Follow all instructions.

Do not use this apparatus near water.

Clean only with dry cloth.

Do not block any ventilation openings.

Install in accordance with the manufacturer's instructions.

Do not install near any heat sources such as radiators, heat registers, stoves, or other apparatus (including amplifiers) that produce heat.

Do not defeat the safety purpose of the polarised or grounding plug. A polarised plug has two blades with one wider than the other. A grounding plug has two blades and a third grounding prong. The wide blade or the third prong is provided for your safety. If the provided plug does not fit into your outlet, consult an electrician for replacement of the obsolete outlet.

Protect the power cord from being walked on or pinched particularly at the plugs, convenience receptacles, and at the point where they exit from the apparatus.

Only use attachments/accessories specified by the manufacturer.



Use only with the cart, stand, tripod, bracket, or table specified by the manufacturer, or sold with the apparatus. When a cart or rack is used, use caution when moving the cart/apparatus combination to avoid injury from tip-over.

Unplug this apparatus during lightning storms or when unused for long periods of time.

Refer all servicing to qualified personnel. Servicing is required when the apparatus has been damaged in any way, such as power supply cord or plug is damaged, liquid has been exposed to rain or moisture, does not operate normally, or has been dropped.

CAUTION: These serving instructions are for use by qualified service personnel only. To reduce the risk of electric shock, do not perform any servicing other than that contained in the operating instructions unless you are qualified to do so.

WARNING: To reduce the risk of fire or electric shock, do not expose this apparatus to rain or moisture. The apparatus shall not be exposed to dripping or splashing and that objects filled with liquids, such as vases, shall not be placed on apparatus. No naked flame sources, such as lighted candles, should be placed on the apparatus.

CAUTION: Changes or modifications not expressly approved by the manufacturer could void the user's authority to operate this device.

WARNING: The mains power switch for this appliance is located on the rear panel. To permit free access to this switch, the apparatus must be located in an open area without any obstruction.



IAG-QUAD

Correct disposal of this products. This marking indicates that this product should not be disposed with other household wastes throughout the EU. To prevent possible harm to the environment or human health from uncontrolled waste disposal, recycle it responsibly to promote the sustainable reuse of material resources. To return your used device, please use the return and collection systems or contact the retailer where the product was purchased. They can take this product for environmental safe recycling.

INTRODUCTION

QUAD has always prided itself as providing the complete solution to music lovers. Each QUAD component marries perfectly to other parts of the hi-fi system and is designed with one target – to be 'The Closest Approach To The Original Sound'.

QUAD S Series loudspeakers fulfil that objective admirably. Sporting a new ribbon treble unit aligned, through sophisticated crossover networks, to QUAD's advanced bass-midrange drivers, each and every loudspeaker in the range delivers all the nuances and passion of the original performance.

Whatever your musical taste you will find that QUAD S Series speakers create a believable musical presence in your listening room that will have you discovering your music collection anew.

Please read the following notes carefully. They will help you to install your loudspeakers correctly and safely.

Switch off the amplifier and all sources before making connections to your sound system. When you switch on the system or change sources, set the volume control to minimum and turn up the level gradually.

The position of your volume control is NOT a reliable guide as to the maximum capabilities of your sound system. Playing the system with extreme settings of volume and tone controls may damage the amplifier and loudspeakers.

Do not connect loudspeaker terminals to the mains supply.

Ensure that your loudspeakers are correctly wired and are in phase.

Do not subject your loudspeakers to excessive cold, heat, or sunlight.

WARNING: To reduce the risk of fire or electrical shock, do not expose this product to rain or moisture. The product must not be exposed to dripping and splashing and no object filled with liquids - such as a vase of flowers - should be placed on the product. No naked flame sources - such as candles - must be placed on the product.

Do not place heavy objects on top of loudspeaker cabinets. If you play them with the grilles removed be careful to protect the drive units from children and pets.

Do not use makeshift stands. Always fit a manufacturer's approved stand using the instructions and the fixings provided. Your dealer will advise you.

Do not attempt to dismantle the loudspeaker. There are no user serviceable parts inside and you will invalidate the warranty.

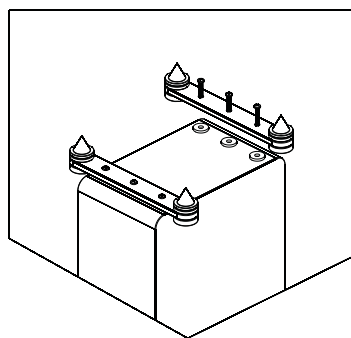
Site your loudspeakers at least 0.5m away from TV sets and magnetic storage media.

UNPACKING THE EQUIPMENT

Unpack the loudspeakers carefully. Be especially careful not to damage the loudspeaker cabinets when removing the polythene sleeves. Please retain the packing materials for future transportation. Retain the user manual and the information concerning the date and place of purchase of this equipment for future reference.

Quad S4 and S5: These models are floor standing and should be fitted with spikes for better stability and performance.

Fitting Spikes: Carefully invert the loudspeaker. Take care to protect the top surface from scratches or damage when the loudspeaker is in the inverted position. Each speaker is supplied with a set of four spike assemblies. Screw a spike into each of the pre-drilled holes in the bottom of each loudspeaker cabinet. Return the loudspeaker to its normal position taking care not to cause damage with the spikes. Adjust the spikes so that the speakers are stable. The top surfaces should be level and the same height above the floor.



When moving speakers, be particularly careful not to let the spikes pierce objects or cables which may be concealed under the carpet. Never drag the loudspeakers. If you cannot lift them easily, get someone to assist you.

Quad S1 and S2: These loudspeakers should ideally be stand mounted though they may be placed on a rigid shelf separate from the rest of the system.

POSITIONING YOUR LOUDSPEAKERS

We recommend that the loudspeakers be placed between two and three metres apart and equidistant from the listening position. The tweeters should be roughly at ear level to a seated listener. The loudspeakers should be positioned so that they are angled slightly inward, facing the listener.

The most uncoloured sound will be obtained when the loudspeakers are at least 200mm from the rear walls and 300mm from the side walls. If the loudspeakers are operated closer to the rear walls the bass extension will increase but if they are placed too close to the walls the bass may boom and become indistinct. If the loudspeakers are placed further away from the walls, the inward angle may be increased by up to 40%, although this may restrict the width of the optimum listening position.

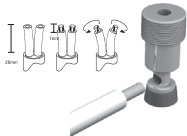
As personal taste plays a large role, please experiment with different configurations and play a wide range of music before finalising the position of your loudspeakers.

CONNECTIONS AND TERMINALS

Crossover Network

Quad crossover networks separate the treble and bass networks into two distinct sections, each connected by a dedicated pair of terminal posts. This enables the treble and bass components to be separately driven for optimum performance. The upper pair of terminals is connected to the treble network and the lower pair to the bass network.

As supplied, the treble terminal pair is connected to the bass terminal pair by removable metal straps. These should be left in place for standard installations.



Choosing and Preparing Cable

Specialist audio cable will usually offer better performance than general purpose 'bell' or 'zip' wire. Audio cable is polarised, with two cores of different colours, or often, in the case of twin cable, a coloured tracer or ridge along one wire to indicate polarity.

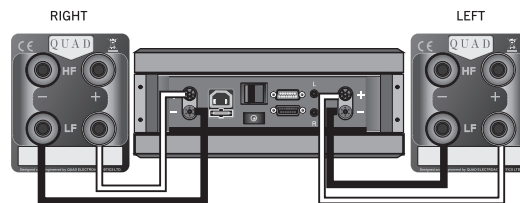
Choose a cable of suitable diameter - cable that is too thin will limit the dynamics of the sound and may impair the bass response. Split the twin cores to a depth of about 40mm. Carefully strip the insulation from each end, leaving about 10mm of bare wire. If the cable is stranded, lightly twist to gather any loose strands.

Connecting Speaker Terminals

Unscrew the terminal. Thread the bared end of each cable through the hole in the bottom of the terminal post. Ensure that there are no loose strands which may touch adjacent terminals. Retighten the terminal securely.

CONNECTING THE LOUDSPEAKERS

Standard Connections

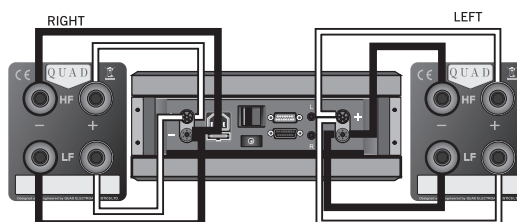


Choose a suitable length of twin core speaker cable for each channel, and prepare the ends as described above.

Connect the positive(+) terminal of the Left loudspeaker to the corresponding positive(+) amplifier terminal. Connect the negative(-) terminals similarly. Repeat this procedure for the Right Channel. Note that the positive(+) terminals are located on the right.

CONNECTING THE LOUSPEAKERS

Bi-Wiring



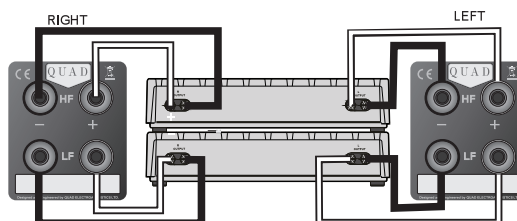
Most of the audio signal going to the speakers drives the bass units. Where one cable feeds both bass and treble units, this heavy bass current can modulate the high frequencies. Using separate cables for treble and bass units reduces intermodulation effects and improves headroom and clarity. This technique of wiring is known as Bi-Wiring. To bi-wire, you will need to install two lengths of twin core cable between the amplifier and each loudspeaker.

Unscrew each terminal a few turns and remove the metal straps. The upper pair of terminals on the crossover panel feeds the treble units and the lower terminals feed the bass unit. Connect the cables between the amplifier and the loudspeakers as indicated above and retighten all the terminals securely.

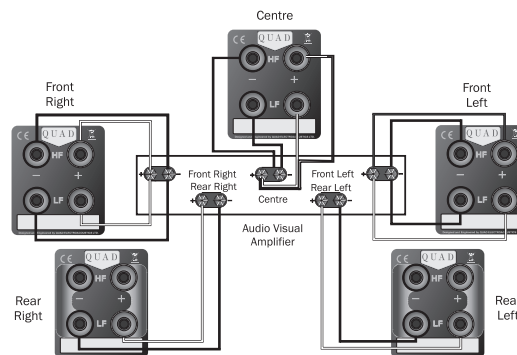
Where feasible, we strongly advocate bi-wiring.

Bi-Amplifying (Bi-Amping)

By connecting each loudspeaker drive unit to its own dedicated amplifier the advantages of Bi-Wiring can be extended. If you own two identical stereo power amplifiers, you may wish to try bi-amping your QUAD loudspeakers. For further details please consult your dealer.



USE IN A HOME THEATRE SYSTEM



The Quad SC is a dedicated centre channel loudspeaker, voiced to blend seamlessly with the other loudspeakers in the S Series, though it can be used with any high performance loudspeakers, including Quad ESLs. When partnered with the Quad S4 or S5 as front channels, and the S1, S2 as rear effects channels, a Home Theatre system of outstanding performance can be built up.

The S1 is a versatile small loudspeaker. It can be used as the front channels, its diminutive size makes it ideal for use as the rear effects channel in multichannel systems. It can be used for the front channels and its diminutive size.

The connections for a typical Home Theatre system are shown below. We suggest that the Front and Centre Channels are bi-wired. The rear effects speakers should be connected using the standard connection as described above, though you may bi-wire them if you prefer.

GETTING THE BEST FROM YOUR LOUDSPEAKERS

Phase

If the sound lacks definition or the bass is indistinct, this could be because you have inadvertently misconnected your loudspeakers. Please check the wiring to both loudspeakers carefully, especially if they are bi-wired.

Ancillary Equipment

QUAD loudspeakers are compatible with the great majority of audio-visual and high fidelity equipment. Your amplifier should have ample reserves of power - a low powered amplifier can run out of steam quite easily and the resulting distortion is unpleasant to listen to and could damage your speakers. A larger amplifier will usually sound better and enhance the reliability and performance of your loudspeakers.

Running In

Loudspeakers are electro-mechanical and, like all mechanical systems, they need a 'running in' period. For the first 50 hours or so exercise care and play your system at reasonable volume levels. After running in, you will notice a significant sonic improvement.

Care and Maintenance

Little maintenance is required. The cabinets can be occasionally wiped with a damp (not wet) cloth. Spray polish, if used, should be applied sparingly - spray the polish onto a cloth and then apply it to the speaker. NEVER spray at the grille cloth or the speaker drive units. To clean the grilles, remove them first before gently brushing with a soft brush. Never use solvent cleaners, minor stains are best removed with soap and lukewarm water. Avoid touching the drive units as they can easily be damaged.

SERVICE & INFORMATION

Product service enquiries should instantly be referred to the supplying dealer. If you need to return your loudspeakers for servicing, please return them as a pair even if only one unit appears to be faulty. For safety, we recommend that they be shipped in their original packing.

In cases of difficulty or for other product enquiries, please contact the appointed QUAD distributor for your country. Service Centre in the UK can be found below.

Authorised QUAD Service Centre in the U.K.

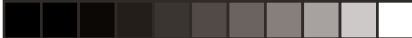
IAG House,
13/14 Glebe Road,
Huntingdon, Cambridgeshire,
PE29 7DL
UK
Tel: +44 (0)1480 452561
Fax: +44 (0)1480 413403

A worldwide distributor list is available on the QUAD website: www.quad-hifi.co.uk

SPECIFICATIONS

Model	S1	S2
General Description	2-way bookshelf speaker	2-way bookshelf speaker
Enclosure Type	vented box loudspeaker	vented box loudspeaker
Transducer Complement	2-way	2-way
Midrange Driver	4"(100mm) Woven Kevlar Cone	5"(125mm) Woven Kevlar Cone
Treble Driver	12 x 45 mm True Ribbon	12 x 45 mm True Ribbon
AV Shield	No	No
Sensitivity (2.83V @ 1m)	84dB	87dB
Recommended Amplifier Power	25-100W	25-100W
Peak SPL	96dB	98dB
Nominal Impedance	8Ω Compatible	8Ω Compatible
Minimum Impedance	4.2Ω	4.5Ω
Frequency Response (+/-3dB)	58Hz ~ 20kHz	48Hz ~ 22kHz
Bass Extension (-6dB)	55Hz	37Hz
Crossover Frequency	3.2kHz	3kHz
Cabinet Volume (in litres)	10.7L	8.15L
Dimensions (mm)		
Height (on plinth)	285mm	330mm
Width	156mm	180mm
Depth (with terminals)	(240+30)mm	(260+30)mm
Carton Size	448*345*385mm	496*365*430mm
Net Weight	5.2 KG	6.1 KG
Gross Weight	12.12 KG	14.32 KG

Model	S4	S5	SC
General Description	3-way floorstanding speaker	3-way floorstanding speaker	2-way centre speaker
Enclosure Type	ABR	ABR	vented box loudspeaker
Transducer Complement	3-way	3-way	2-way
ABR	125mm x 2	165mm x 3	
Bass Driver	125mm Woven Kevlar Cone	165mm Woven Kevlar Cone x 2	100mm Woven Kevlar Cone x 2
Midrange Driver	100mm Woven Kevlar Cone	125mm Woven Kevlar Cone	
Treble Driver	12 x 45 mm True Ribbon	12 x 45 mm True Ribbon	12 x 45 mm True Ribbon
AV Shield	No	No	No
Sensitivity (2.83V @ 1m)	88dB	90dB	86dB
Recommended Amplifier Power	25-100W	25-100W	25-100W
Peak SPL	100dB	105dB	97dB
Nominal Impedance	6Ω	6Ω	8Ω Compatible
Minimum Impedance	3.5Ω	3.2Ω	4.4Ω
Frequency Response (+/-3dB)	44Hz ~ 23kHz	42Hz ~ 23kHz	65Hz ~ 20kHz
Bass Extension (-6dB)	37Hz	35Hz	60Hz
Crossover Frequency	520Hz & 3.9kHz	570Hz & 3.2kHz	2.8kHz
Cabinet Volume (in litres)	47.0L	72.4L	12.8L
Dimensions (mm)			
Height (on plinth)	(870+55)mm	(1070+55)mm	(160+5)mm
Width	180mm	205mm	400mm
Depth (with terminals)	(300+30)mm	(330+30)mm	(200+30)mm
Carton Size	1055*424*308mm	1265*454*333mm	495*304*258mm
Net Weight	16.4 KG	21.85 KG	6.3 KG
Gross Weight	22.24 KG	28.90 KG	8.36 KG



QUAD

IAG House, 13/14 Glebe Road, Huntingdon, Cambridgeshire, PE29 7DL, UK
Tel: +44(0)1480 52561 Fax: +44(0)1480 413403 <http://www.quad-hifi.co.uk>
IAG reserves the right to alter the design and specifications without notice. All rights reserved © IAG Group Ltd.
Quad is a member of the International Audio Group. CODE: QH14-MNL004a

