

SILVER SERIES

owners manual



English	2
Français	10
Italiano	18
Deutsch	26
Español	34
Português	42
Nederlands	50
中文	58
РУССКИЙ	66
日本語	74
دۇبەرچە	82
POLSKI	90

Contents

Introduction	2
Spikes and Feet	3
For Wooden/Hard Floors	3
Setting Up	3
2 Channel Positioning	3
AV Positioning	4
Setting up the Silver FX	4
Atmos	5
Fixing the Silver FX to a wall	5
Wiring	6
Single Wiring	6
Bi-Wiring	6
Bi-Amping	6
The Effects of Bi-Wiring and Bi-Amping	7
Port bungs	7
Running-In Your Speakers	8
Retention Bolt Adjustment	8
Guarantee	8
Owner Information	8
Specifications	9

Introduction

The revered Silver Series is now entering its sixth generation, introducing groundbreaking design throughout the entire range. Each model has been developed to provide a wider appeal to audiophiles and home cinema enthusiasts alike, whilst elevating performance to a new level. Two new centre speakers now make it possible to assemble stylish, discrete or large, powerful home theatre systems. Silver 50 and Silver 200 models are more compact, providing a more attractive proposition for modern living spaces, yet delivering the same kind of performance expected from much larger speakers. Silver 50 and Silver 200 can be combined with the compact Silver C150 centre speaker, tonally matched and visually discrete to form a compact high-performance multi-channel system. The Silver C350 centre now provides the ability to create a no-compromise home theatre system, based around the Silver 100, Silver 300 or Silver 500 models.

Spikes and Feet



Select finishes are supplied with a foam gasket on the out-rigger, please ensure this side is placed on the cabinet.

For Wooden/Hard Floors

(Silver 200, 300 and 500 only)

The feet and 'out-riggers' are supplied assembled for use on non-carpeted, wooden or hard floors or where spikes are inappropriate. All that is required is to fix them to the speaker base using the supplied bolts (A & B).

You can check that the speaker is level on all sides by using a spirit level. If it's slightly off-level, unscrew the foot at the lowest point and check again. Continue this process until the cabinet is fully level. Use the locking nuts on each foot to fix the feet in place and to stop any unwanted vibrations.

For Carpeted Floors

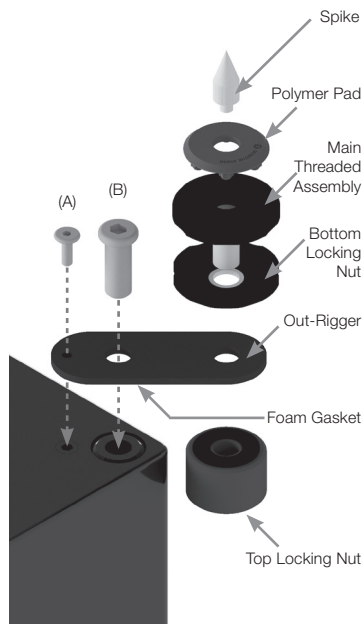
(Silver 200, 300 and 500 only)

If the speaker is being installed on a carpeted floor, screw the spike into the foot and 'out-rigger' assembly. Fix them to the speaker base using the supplied bolts (A & B).

You can check that the speaker is level on all sides by using the spirit level. If it's slightly off-level, unscrew the foot at the lowest point and check again. Continue this process until the cabinet is fully level. Use the locking nuts on each foot to fix the feet in place and to stop any unwanted vibrations.



Please ensure there are no hidden wires under the carpet that could be damaged by the spikes.



Setting Up

2 Channel Positioning

When arranging a 2 channel system, the listening position and the loudspeakers should form an equilateral triangle. The speakers should be positioned approximately 6 - 10 feet (1.8 - 3m) apart. The ideal distance from the rear wall varies depending on the speaker (see list below), however, they need to be a minimum of 3 feet (91cm) from the side walls.

- Silver 50 6 - 12 inches (15 - 30cm)
- Silver 100 & 200 8 - 14 inches (20 - 36cm)
- Silver 300 & Silver 500 12 - 24 inches (30 - 61cm)

NOTE: These are recommended distances for optimal performance. Actual results will vary dependant on room size and construction.

Experimentation is strongly advised when initially setting up the speakers, as environment and personal preference differ with every installation. If there is insufficient bass for example, try moving your speakers closer to a wall. The opposite approach is recommended if there is excess bass. Also see the information on page 7 referring to Port Bungs. If stereo imaging is being lost, try 'toeing' them in slightly. The sound should appear to originate from the centre point between the speakers, not the actual speakers themselves.

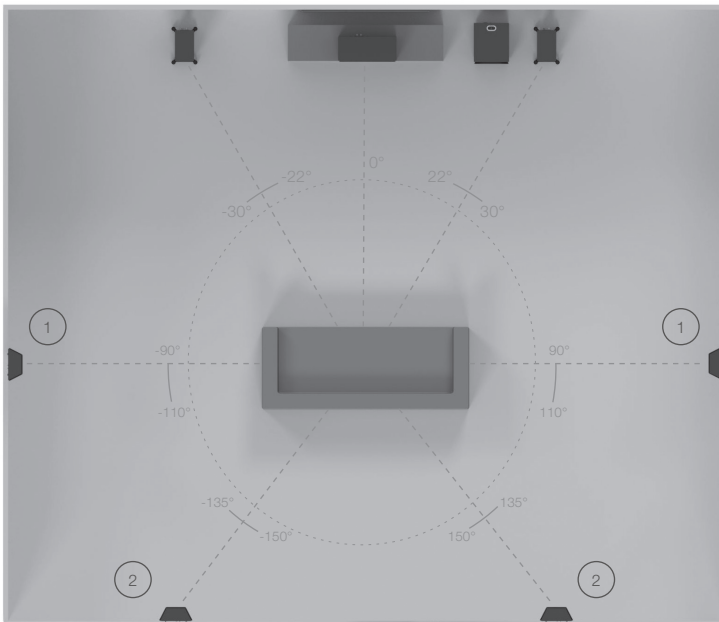
AV Positioning

Please refer to the illustrations below for the ideal angles and positions of each speaker in your surround system. The speakers should be distant from the wall according to the requirements of the speaker, which are listed in the 2-Channel Positioning section (page 3).

If the sound is too bass heavy or there is bass boom from the room when playing music (without a subwoofer), try moving the loudspeakers slightly further away from the wall(s). If this is not possible, then try the supplied port bungs. In a system with a subwoofer try adjusting the crossover frequency settings for the speakers and/or sub or changing the subwoofer's position.

The Silver centre channel speaker should be positioned so that it is pointing at the viewing position and at approximate ear height.

NOTE: Images below are for illustrative purposes only. If using the Silver FX please refer to the next section for further information.



1. Side surround speakers
2. Rear surround speakers

A 7.1 surround system will make use of side (position 1) and rear speakers (position 2) to create a full 360° soundstage, if setting up a 5.1 system you can place your surrounds in position (1) or (2).

Setting up the Silver FX

The Silver FX features Di-Pole or Bi-Pole listening modes. In Bi-Pole mode, the driver and tweeters are all in phase. In Di-Pole mode one of the tweeters is out of phase to the other tweeter and main driver to create the diffused sound. The FX speakers should be wall mounted approximately 2 feet above ear height.

Di-Pole/ Bi-Pole switch: When part of 5.1 systems as a rear speaker, set the switch to Bi-Pole. Although there is nothing wrong with experimenting and trying the switch in the Di-Pole mode.

If part of a 7.1 system with 1 pair of FX's set the switch to Di-Pole. If using 2 pairs of FX's for side and rear effects, set them all to Di-Pole mode and swap the left and right handed side FX speakers over, keeping the rear FX speakers handed correctly (matching left and right with the front left and right channels) as illustrated on page 5.



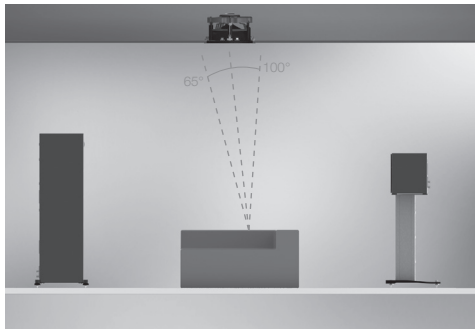
NOTE: Before adjusting any switches, please ensure that the amplifier is at the very least turned off. This will help to protect the amplifier.



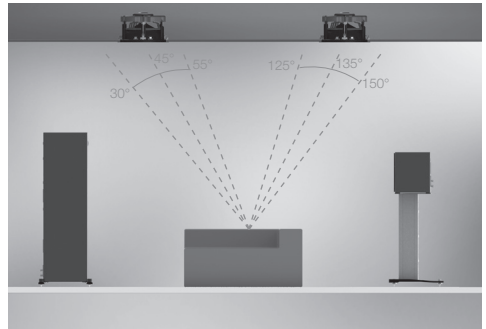
Atmos

When arranging an Atmos system, for the Atmos channels we would recommend using our C265-IDC or CPCT380-IDC. These speakers employ a unique pivoting IDC (Inverted Dual Concentric) midrange/ tweeter module which offers a wider dispersion characteristic, and is ideal for Atmos duties. More information on both the C265-IDC and CPCT380-IDC can be found on our website: monitoraudio.com

Please see below for ideal positioning of 2 or 4 speaker setups.



2 Atmos speakers (in line with front left and right)



4 Atmos Speakers (in line with front left and right)

Fixing the Silver FX to a wall



CAUTION: Always determine where the Silver FX will be fixed and the structure of the wall. For safety reasons, if unsure of your ability to provide a secure and safe fixing, do not attempt to fix these speakers to a wall. Instead, please obtain the services of a competent and qualified trades person.



CAUTION: Ensure that water pipes or electricity cables do not run behind where the wall plate is going to be secured. Work from secure steps and avoid trailing wires.



NOTE: We do not supply wall fixing screws and plugs with the Silver FX. Please only use suitable fixings for the type of wall construction the Silver FX's will be fixed to.

The Silver FX comes with keyhole brackets fixed to the cabinet. We do not supply wall fixing screws and plugs with the FX's. Please use suitable fixings for the type of wall construction the FX's will be fixed to.

To fix your FX's to the wall, we would recommend using the wall fixing template enclosed within the packaging carton.

It is perfectly acceptable to connect to the top, bottom terminals or even diagonally (experimentation is advisable to achieve the preferred results).

Wiring

Single Wiring

Single wiring is achieved via a single set of cables to the terminals on the back of the loudspeaker. Internally the loudspeaker crossover guides the frequencies to the appropriate driver/tweeter. Low frequencies to the bass drivers, mid frequencies to the mid/bass drivers and high frequencies to the tweeter.

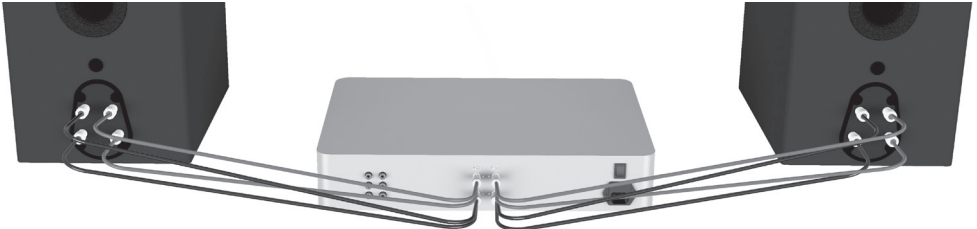
It is perfectly acceptable to connect to the top, bottom terminals or even diagonally (experimentation is advisable to achieve the preferred results).



NOTE: When using this method you must keep the terminal links in place.

Bi-Wiring

Bi-wiring is accomplished by connecting separate pairs of speaker cables to the terminals on the loudspeaker from a single pair of connections on the amplifier. In the case of the Silver Series, the bottom terminals connect to the bass driver(s) and the top terminals connect to the tweeter in 2 way loudspeakers, or the mid and tweeter in 2.5 and 3 way loudspeakers.



NOTE: When using this method the terminal links MUST be removed.

Bi-Amping

Bi-amping is the same as bi-wiring except you are introducing a second amplifier into the equation.

In order to bi-amp you must connect a set of speaker cables to the top terminals on the loudspeaker from one amplifier and another set of speaker cables to the bottom terminals from the second amplifier.



NOTE: When wiring this method the terminal links MUST be removed.

The Effects of Bi-Wiring and Bi-Amping

Fundamentally a loudspeaker crossover varies the impedance seen by the speaker and by the power amplifier. The situation is such that when the full range musical signal is applied to the terminals of a full-range speaker system, the bass driver(s) will only receive low frequency signals, the mid driver receives the mid band frequency signals and the tweeter only gets sent high frequency signals. This means that if separate speaker cables are connected to the low and high frequency terminals, not only have the drive units had the frequency's directed and divided for them, but the two separate speaker cables will now also carry different signals, the bass cable mostly the lows, and the tweeter cable mostly the highs.

Once the high and low frequencies have been separated in this fashion, the strong current pulses and surges demanded by bass drivers when reproducing bass or drums, will not interact with the delicate sounds of a flute or cymbal.

In a single wired system, unwanted mechanical and electrical resonances manifest as distortion at both sets of speaker terminals. Due to the impedance of the speaker cables, these distortions will not be entirely cancelled by the amplifier. Instead, they modulate between the two crossovers, and degrade sound quality. When bi-wiring, this interaction is minimised as signal distortion is 'seen' at the amplifier's output where it can be more effectively cancelled. bi-wiring/ bi-amping therefore presents a 'cleaner' signal at both the low frequency and high frequency speaker terminals, and because the high and low frequencies have already been separated, each has a minimal effect on the other - in essence the bass does not overpower delicate treble.

In terms of the audible benefit, bi-wiring/ bi-amping, provides more clarity and detail to the midrange and high frequencies. Often the bass will become faster and tighter. Focus and staging will improve as well. In all, this is a very effective and desirable improvement and is highly recommended by Monitor Audio.

Port bungs



WARNING: Care must be taken not to insert the port bungs too far into the port, as this may result in the foam bung being lost inside the cabinet.

If the loudspeaker is to be installed in a small room, typically 9 sqM (80 sqFT), or a room known to reproduce accentuated bass response, it may be desirable to fit port bungs. However, experimentation is recommended with positioning of the loudspeaker in the room prior to fitting. To optimise performance from the loudspeaker it is important to ensure the loudspeaker is not positioned too close to a wall or near the corners of a room.

If the positioning of the loudspeaker is predetermined by room aesthetics or layout, you find you have accentuated bass or in the case speakers are to be sited in close proximity (less than the minimum suggested distances of page 3) to a rear wall (such as on a bookshelf, positioned in a cabinet or on a stand close to a wall), we recommend fitting port bungs to the ports. This will reduce the bass 'boom' sometimes termed as overhang, and assist the loudspeakers to reproduce their best performance under these environmental conditions. 'Boom' is generally caused when bass energy from the loudspeaker 'excites' room modes and causes an accentuation at a particular frequency, or number of frequencies.

When fitting port bungs the overall bass extension will not be reduced, however bass energy/ output around the port tuning frequency will be reduced. This has the effect of reducing bass 'boom' while increasing bass clarity and apparent agility.

In all circumstances experimentation is highly recommended.

Running-In Your Speakers

Run your speakers in by playing normal music at low-mid listening levels for approximately 50-70 hours play time. You may find the sound will continue to improve even after the 70 hour mark.

This can be done naturally over time: like a fine wine the performance will improve with age.

Alternatively if you wish to run the speakers continuously on loop you can decrease the audible volume/presence by placing the speakers face-to-face so that the drivers/tweeters are directly aligned and as close as possible. Then connect the amplifier to your speakers so that one is as normal (in phase): positive to positive and negative to negative (red to red and black to black), and the other speaker out of phase: positive to negative and negative to positive inputs on the speaker.

Retention Bolt Adjustment

The new Silver Series has a bolt-through driver fixing to reduce cabinet colouration. Each bolt acts as a rigid brace, but also removes the need for conventional driver fixings as well, effectively decoupling the driver and front baffle to eliminate a further source of resonance.

NOTE: Should this bolt become loose over time, or has worked loose during transit, then please use the supplied hex key to tighten the bolt back up. This only needs to be a quarter turn after the strain has been taken by the bolt.

Guarantee

Both the craftsmanship and the performance of this product is guaranteed against manufacturing defects for the period of **five** years from the date of purchase (see conditions in the Important Safety Instructions booklet), provided that the product was supplied by an authorised Monitor Audio retailer under the consumer sale agreement.

To verify your manufacturer's warranty, please visit the online registration form at: **monitoraudio.com**

Owner Information

Product Details

Model: _____

Product Serial No: _____

Amp panel Serial No: _____

Date of Purchase: _____

Dealer Details

Dealer Name: _____

Address: _____

Post code: _____

E-mail address: _____

Monitor Audio reserves the right to alter specifications without notice.

MODEL	Silver 50	Silver 100	Silver 200	Silver 300	Silver 500	Silver C150	Silver C350	Silver FX
System Format	2 - way	2 - way	2 ½ way	3 - way	3 - way	2 ½ way	3 - way	2 - way
Frequency Response (-6dB)	62Hz - 35kHz	40Hz - 35kHz	38Hz - 35kHz	32Hz - 35kHz	30Hz - 35kHz	62Hz - 35kHz	40Hz - 35kHz	60Hz - 35kHz
Sensitivity (1W@1M)	87dB	88dB	89dB	90dB	90dB	90dB	90dB	87dB
Nominal Impedance	8 Ohms	8 Ohms	8 Ohms	8 Ohms	8 Ohms	8 Ohms	8 Ohms	8 Ohms
Minimum Impedance	4.1 Ohms @ 220Hz	4.5 Ohms @ 167Hz	4.7 Ohms @ 182Hz	3.5 Ohms @ 146Hz	3.1 Ohms @ 2.45kHz	3.7 Ohms @ 193Hz	3.2 Ohms @ 176Hz	4.0 Ohms @ 229Hz
Maximum S.P.L.	110 dBA (pair)	112 dBA (pair)	114 dBA (pair)	116 dBA (pair)	117 dBA (pair)	112 dBA	113 dBA	110 dBA (pair)
Power Handling (R.M.S) Watts	100W	120W	150W	200W	250W	150W	200W	85W
Recommended Amplifier Requirements (R.M.S)	40 – 100W	40 – 120W	60 – 150W	80 – 200W	80 – 250W	60-150W	80 – 200W	30-85W
Bass Alignment	Bass reflex. HiVe II port system	Bass reflex: HiVe II port system	Dual chamber bass reflex with differential tuning. Twin HiVe port system	Bass reflex. Twin HiVe II port system	Bass reflex. Twin HiVe II port system	Sealed cabinet	Sealed cabinet	Sealed cabinet
Crossover Frequency	3.0kHz	2.8kHz	L.F.: 700Hz M.F./H.F.: 2.9kHz	L.F./M.F.: 570Hz M.F./H.F.: 3.5kHz	L.F./M.F.: 625Hz M.F./H.F.: 3.1kHz	L.F. 650Hz M.F./H.F.: 3.1kHz	L.F./M.F.: 830Hz M.F./H.F.: 3.2kHz	2.5kHz
Drive Unit Complement	1 x 5. 1/4" RST bass/mid driver 1 x 1" (25 mm) gold dome C-CAM tweeter	1 x 8" RST bass/mid driver 1 x 1" (25 mm) gold dome C-CAM tweeter	1 x 5. 1/4" RST bass/mid driver 1 x 1" (25 mm) gold dome C-CAM tweeter	2x 6" RST bass driver 1 x 4" RST mid-range driver 1 x 1" (25 mm) gold dome C-CAM tweeter	2x 8" RST bass driver 1 x 4" RST mid-range driver 1 x 1" (25 mm) gold dome C-CAM tweeter	2 x 5. 1/4" RST bass/mid driver 1 x 1" (25 mm) gold dome C-CAM tweeter	2x 6" RST bass driver 1 x 4" RST mid-range driver 1 x 1" (25 mm) gold dome C-CAM tweeter	1 x 6" RST bass/mid driver 2 x 1" (25 mm) gold dome C-CAM tweeter
Cabinet Dimensions (Excluding grille, terminals & out-rigger plates) (H x W x D)	270 x 165 x 240mm 10.58 x 6.12 x 9.716" (H x W x D)	375 x 230 x 300mm 14.34 x 9.176 x 11.1316" (H x W x D)	885 x 165 x 240mm 34.1316 x 6.12 x 9.716" (H x W x D)	1000 x 185 x 300mm 39.38 x 7.516 x 11.1316" (H x W x D)	1050 x 230 x 300mm 41.516 x 9.176 x 11.776" (H x W x D)	165 x 450 x 200mm 6.12 x 17.1116 x 7.78" (H x W x D)	235 x 560 x 240mm 9.14 x 22.116 x 9.716" (H x W x D)	250 x 310 x 130mm 9.1316 x 12.116 x 5.1316" (H x W x D)
External Dimensions (Including grille & terminals) (H x W x D)	270 x 165 x 269mm 10.58 x 6.12 x 10.5816" (H x W x D)	375 x 230 x 329mm 14.34 x 9.176 x 12.916" (H x W x D)	885 x 165 x 269mm 34.1316 x 6.12 x 10.5816" (H x W x D)	1000 x 185 x 329mm 39.38 x 7.516 x 12.916" (H x W x D)	1050 x 230 x 329mm 41.516 x 9.176 x 12.916" (H x W x D)	165 x 450 x 229mm 6.12 x 17.1116 x 9" (H x W x D)	235 x 560 x 270mm 9.14 x 22.116 x 10.5816" (H x W x D)	250 x 322 x 147mm 9.1316 x 12.116 x 5.1316" (H x W x D)
External Dimensions (Including out-rigger plates and feet+spikes) (H x W x D)	N/A	N/A	918 x 232 x 307mm 36.116 x 9.116 x 12.116" (H x W x D)	1083 x 252 x 367mm 42.35 x 11.116 x 14.776" (H x W x D)	1083 x 297 x 367mm 42.35 x 11.116 x 14.776" (H x W x D)	N/A	N/A	N/A
Weight (each)	6kg	9.9kg	14.6kg	20kg	22.8kg	9.1kg	14.9kg	4.3kg

Table des matières

Introduction_____	10
Pointes et pieds_____	11
Pour sols moquette_____	11
Pour sols durs et parquets_____	11
Configuration_____	11
Positionnement à 2 canaux_____	11
Positionnement de l'AV_____	12
Installation de la Silver FX_____	12
Atmos_____	13
Installation de l'enceinte FX à un mur_____	13
Câblage_____	14
Câblage unique_____	14
Bi-câblage_____	14
Bi-amplification_____	14
Les effets du bi-câblage et de la bi-amplification_____	15
Bouchons de port_____	15
Rodage de vos enceintes_____	16
Réglage du boulon de retenue_____	16
Garantie_____	16
Informations utilisateur_____	16
Spécifications_____	17

Introduction

La fameuse Série Silver entre aujourd'hui dans sa sixième génération, et présente un design innovant pour l'ensemble de la gamme. Chaque modèle a été conçu pour élargir l'intérêt des audiophiles comme des adeptes du home cinéma, tout en portant les performances à un niveau inédit. Deux nouvelles enceintes centrales rendent possible la mise en place d'un système home cinéma élégant et discret ou imposant et puissant. Les modèles Silver 50 et Silver 200, plus petits, constituent une proposition plus attractive pour les espaces de vie modernes, tout en offrant la même qualité de performances que des enceintes beaucoup plus grosses. Les Silver 50 et Silver 200 peuvent être combinés avec la petite enceinte centrale Silver C150, visuellement discrète et dont la tonalité a été harmonisée, pour former un système multicanal très performant et compact. L'enceinte centrale Silver C350 est désormais capable de créer un système home cinéma sans compromis, associée aux modèles Silver 100, Silver 300 ou Silver 500.

Pointes et pieds



Les finis sélectionnés sont fournis avec un joint en mousse sur le grément extérieur, assurez-vous que ce côté est placé sur l'armoire.

Pour sols durs et parquets

(Silver 200, 300 et 500 uniquement)

Les pieds et les « balanciers » sont fournis assemblés pour une utilisation sur les sols sans moquette, les parquets, les sols durs ou bien là où les pointes sont inappropriées. Fixez-les à la base des enceintes avec les boulons fournis (A & B).

Vous pouvez vérifier que l'enceinte est plane sur tous les côtés en utilisant le niveau. Si elle n'est pas correctement à plat, dévissez légèrement la pointe par le bas puis vérifiez à nouveau. Continuez ce procédé jusqu'à ce que le caisson soit parfaitement équilibré. Utilisez l'écrou de serrage sur chaque pied pour les maintenir en place et éviter les vibrations indésirables.

Pour sols moquette

(Silver 200, 300 et 500 uniquement)

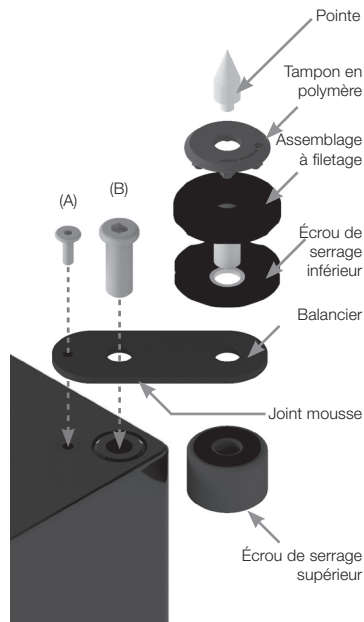
Si l'enceinte est installée sur un sol en moquette, vissez la pointe dans l'assemblage du pied et du « balancier ». Fixez-les à la base des enceintes avec les boulons fournis (A & B).

Vous pouvez vérifier que l'enceinte est plane sur tous les côtés en utilisant un niveau. Si elle n'est pas correctement à plat, dévissez légèrement la pointe par le bas puis vérifiez à nouveau. Continuez ce procédé jusqu'à ce que le caisson soit parfaitement équilibré.

Utilisez l'écrou de serrage sur chaque pied pour les maintenir en place et éviter les vibrations indésirables.



Vérifiez qu'aucun câble électrique susceptible d'être endommagé par le pied ne passe sous le tapis ou la moquette.



Configuration

Positionnement à 2 canaux

Pour une utilisation dans un système à 2 canaux, la position d'écoute et les haut-parleurs doivent former un triangle équilatéral. Les haut-parleurs doivent être situés à environ 1,8 - 3 m de distance. La distance idéale avec le mur arrière varie selon l'enceinte (voir la liste ci-dessous), cependant, elles doivent être placées à un minimum de 3 pieds (91 cm) des murs latéraux.

- Silver 50 6 - 12 pouces (15 - 30cm)
- Silver 100 & 200 8 - 14 pouces (20 - 36cm)
- Silver 300 & Silver 500 12 - 24 pouces (30 - 61cm)

REMARQUE : Les distances indiquées sont recommandées pour une performance optimale. Les résultats effectifs varient en fonction de la taille et de la disposition de chaque pièce.

Il est fortement conseillé d'effectuer des essais lorsque vous installez les enceintes, car l'environnement et les préférences personnelles changent avec chaque installation. Si par exemple vous trouvez que les basses sont insuffisantes, rapprochez légèrement vos enceintes d'un mur. L'approche opposée est recommandée si les basses vous paraissent excessives. Consultez également les informations sur la page 15 concernant les bouchons de port. Si l'image stéréo est perdue, essayez de les « orienter » légèrement. Le son doit donner l'impression de partir du point central entre les haut-parleurs et non des haut-parleurs eux-mêmes.

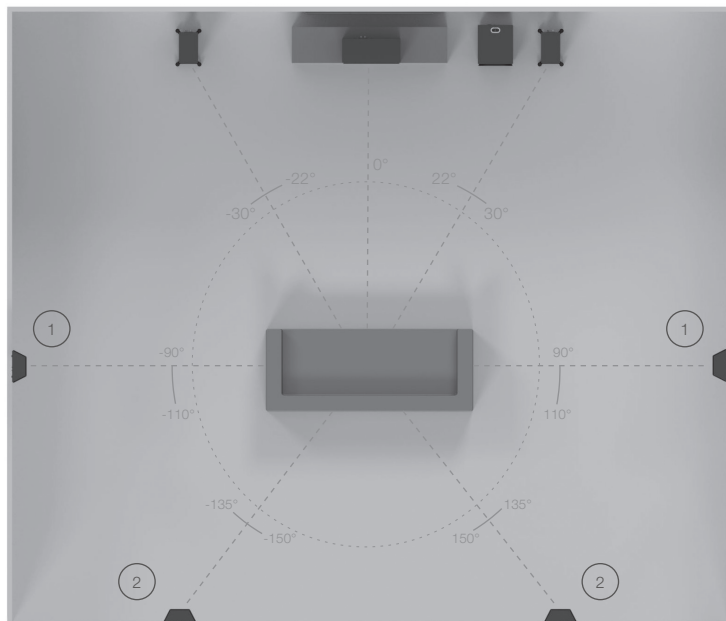
Positionnement de l'AV

Veillez vous reporter aux illustrations ci-dessous pour voir les angles et les positions idéaux de chaque enceinte dans votre système surround. Les enceintes doivent être éloignées du mur selon les exigences de l'enceinte, qui sont listées dans la section Positionnement à deux canaux (page 11).

Si vous écoutez de la musique (sans caisson de basse) et que le son est trop lourd et grave ou si le boom des graves est trop perceptible dans la pièce, éloignez légèrement les enceintes des murs. Si ce n'est pas possible, alors essayez les bouchons de port fournis. Dans un système avec caisson de basse, réglez la fréquence de crossover des enceintes et/ou du caisson de basse, ou essayez de changer la position du caisson de basse.

L'enceinte centrale Silver doit être directement dirigée vers la position de vision et approximativement à hauteur d'oreille.

REMARQUE : Les images ci-dessous sont fournies à titre d'illustration uniquement. Si vous utilisez la Silver FX, reportez-vous à la page 12.



1. Enceintes surround latérales
2. Enceintes surround arrières

Un système surround 7.1 utilisera les enceintes latérales (position 1) et arrières (position 2) pour créer une scène sonore complète à 360°. Si vous installez un système 5.1, vous pouvez placer vos enceintes surround en position (1) ou (2).

Installation de la Silver FX

La Silver FX présente des modes d'écoute di-pôle ou bi-pôle. En mode bi-pôle, l'enceinte et les tweeters sont tous en phase. En mode di-pôle, l'un des tweeters n'est pas en phase avec l'autre tweeter et l'enceinte principale pour créer un son diffus. Les enceintes FX doivent être fixées au mur à environ 2 pieds (61 cm) au-dessus de l'oreille.

Sélecteur Di-pôle/ Bi-pôle : Lorsqu'elle est utilisée en enceinte arrière dans un système 5.1, positionnez le sélecteur sur Bi-pôle. Cela n'empêche pas pour autant d'expérimenter et de passer le sélecteur sur le mode Di-pôle.

Intégrée dans un système 7.1 avec 1 paire de FX, positionnez le sélecteur sur Di-pôle. Si vous utilisez 2 paires de FX pour les effets latéraux et arrières, positionnez tous les sélecteurs en mode Di-pôle et intervertissez les enceintes FX droite et gauche, en conservant les enceintes FX arrières dans leur configuration normale (enceintes gauche et droite respectivement avec les canaux gauche et droit), comme illustré en page 13.



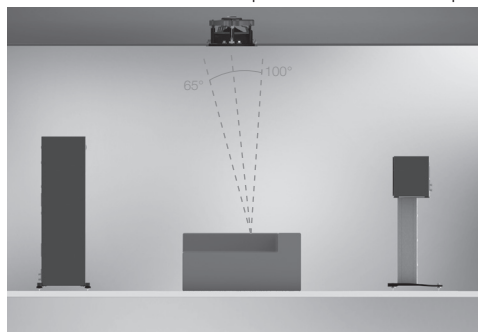
REMARQUE : Avant de régler les sélecteurs, veuillez vous assurer que l'amplificateur est au strict minimum éteint. Cela permettra de protéger l'amplificateur.



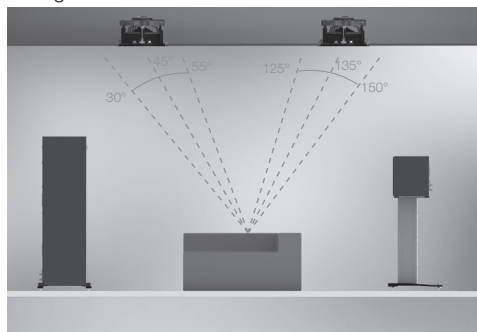
Atmos

Lors de l'installation d'un système Atmos, pour les canaux Atmos, nous vous conseillons d'utiliser les modèles C265-IDC ou CPCT380-IDC. Ces enceintes disposent d'un module concentrique double inversé pivotant (IDC) medium/tweeter qui offre une meilleure diffusion et s'avère idéal pour les fonctionnalités Atmos. Pour plus d'informations sur les modèles C265-IDC et CPCT380-IDC, visitez notre site Web : monitoraudio.com

Veillez voir ci-dessous le positionnement idéal pour une configuration à 2 ou 4 enceintes.



2 enceintes Atmos (alignées avec avant, gauche et droite)



4 enceintes Atmos (alignées avec avant, gauche et droite)

Installation de l'enceinte FX à un mur



ATTENTION : Vous devez toujours déterminer l'emplacement exact de la Silver FX et vérifier la structure du mur. Pour des raisons de sécurité, si vous n'êtes pas sûr de votre capacité à assurer une fixation sécurisée, ne tentez pas de fixer ces enceintes à un mur. Faites plutôt appel aux services d'un professionnel compétent et qualifié.



ATTENTION : Vérifiez qu'aucune canalisation ou câble électrique ne passe derrière l'endroit où vous installerez la plaque murale. Travaillez étape par étape et évitez de laisser traîner les câbles.



REMARQUE : Les vis et chevilles murales ne sont pas fournies avec l'enceinte Silver FX. Veuillez utiliser uniquement des fixations adaptées à la nature du mur où vous fixerez la Silver FX.

La Silver FX est livrée avec des supports avec orifices en forme de trou de serrure fixés au cabinet. Les vis et chevilles murales ne sont pas fournies avec les FX. Veuillez utiliser des fixations adaptées à la nature du mur où vous fixerez les FX.

Pour fixer vos FX au mur, nous vous conseillons d'utiliser le modèle de fixation murale fournie dans le carton d'emballage.

Câblage

Câblage unique

Le câblage unique est obtenu par le biais d'un jeu de câbles aux terminaux situés à l'arrière de votre haut-parleur. Le répartiteur du haut-parleur guide en interne les fréquences vers le pilote/tweeter approprié. Les basses fréquences vers les graves, les fréquences moyennes vers les pilotes médium/basse et les hautes fréquences vers le tweeter.

Vous pouvez les connecter aux terminaux du haut, du bas ou en diagonale (effectuez des essais pour obtenir les meilleurs résultats).



REMARQUE : Si vous utilisez cette méthode, laissez les liaisons de terminal en place.

Bi-câblage

Le bi-câblage est accompli en connectant des paires séparées de câbles d'enceinte aux terminaux sur le haut-parleur depuis une seule paire de connexion sur l'amplificateur. Dans le cas des Séries Silver, les terminaux du bas se connectent au(x) haut-parleur(s) de grave et les terminaux du haut se connectent au tweeter dans les haut-parleurs 2 voies, ou le medium et le tweeter dans les haut-parleurs 2,5 et 3 voies.



REMARQUE : Si vous utilisez cette méthode, vous DEVEZ retirer les liaisons de terminal.

Bi-amplification

La bi-amplification est identique au bi-câblage sauf que vous introduisez un second amplificateur dans l'équation.

Pour bi-amplifier, vous devez connecter un ensemble de câbles d'enceinte aux terminaux du haut depuis un amplificateur et un autre ensemble de câbles d'enceinte aux terminaux du bas depuis le second amplificateur.



REMARQUE : Si vous utilisez cette méthode de câblage, vous devez retirer les liaisons de terminal.

Les effets du bi-câblage et de la bi-amplification

Fondamentalement, le crossover d'un haut-parleur fait varier l'impédance perçue par l'enceinte et par l'amplificateur d'alimentation. La situation est telle que lorsque toute la gamme du signal musical est appliquée aux terminaux d'un système d'enceinte à gamme complète, les caissons de graves ne recevront que les signaux de basse fréquence, les signaux de fréquence de l'enceinte médium et le tweeter ne reçoivent que les signaux envoyés en haute fréquence. Ceci signifie que si les câbles d'enceintes séparés sont connectés aux terminaux de basse et haute fréquences, non seulement les unités d'enceinte ont eu la fréquence dirigée et divisée pour eux, mais les deux câbles d'enceinte séparés transportent également des signaux différents. Le câble de graves supportera principalement les basses et le câble de tweeter les hautes fréquences.

Une fois que les fréquences basse et haute ont été ainsi dissociées, les fortes impulsions de courant et pics de pressions nécessaires pour que les enceintes de basse reproduisent les sons de basse et de batterie n'interagiront pas avec les sons délicats d'une flûte ou d'une cymbale.

Dans un système mono-conducteur, les résonances mécaniques et électriques indésirables manifestent une distorsion sur les deux ensembles de terminaux d'enceinte. En raison de l'impédance des câbles d'enceintes, ces distorsions ne seront pas complètement annulées par l'amplificateur. Au lieu de cela, elles se moduleront entre les deux crossovers, et dégraderont la qualité du son. Avec un bi-câblage, cette interaction est minimisée dans la mesure où le signal de distorsion est « vu » à la sortie de l'amplificateur où il peut être plus facilement annulé. Le système de bi-câblage/bi-amplification présente un signal « plus net » sur les deux terminaux en basse et haute fréquence, et parce que les hautes et basses fréquences ont déjà été séparées, chacune a un effet minimal sur l'autre - en substance, les graves ne submergent pas les aigus délicats.

En termes de bénéfices audibles, le système de bi-câblage/bi-amplification, fournit plus de clarté et de détails aux fréquences moyennes et hautes. Les graves deviendront souvent plus rapides et serrées. Le focus et la phase s'amélioreront également. En somme, il s'agit d'une amélioration efficace et souhaitable qui est vivement recommandée par Monitor Audio.

Bouchons de port



AVERTISSEMENT : Faites attention à ne pas enfoncer trop profondément les bouchons de port dans le port. Cela peut provoquer l'intrusion d'une partie de la mousse du bouchon directement dans le cabinet.

Si le haut-parleur est destiné à être installé dans une petite pièce (environ 9 m²) ou si la pièce a tendance à reproduire une réponse en basses trop accentuée, il sera alors utile d'utiliser les bouchons de port. Cependant, il est conseillé de faire des essais de positionnement avec les haut-parleurs avant d'installer les bouchons de port. Pour optimiser les performances du haut-parleur, vérifiez que le haut-parleur n'est pas trop près d'un mur ou près des coins d'une pièce.

Si le positionnement du haut-parleur est prédéterminé par l'esthétique ou la disposition de la pièce, vous trouverez que vous avez des basses accentuées, ou dans le cas où les enceintes doivent être placées très proches (distances minimales inférieures à celles présentées en page 11) d'un mur arrière (sur une bibliothèque ou un pied à côté d'un mur par exemple), nous recommandons d'utiliser les bouchons de port. Cela aura pour effet de réduire le « boom » des basses et permettra une reproduction sonore optimale dans cet environnement. Le « boom » (parfois appelé 'overhang') se produit généralement lorsque l'énergie des basses « excite » les parois de la pièce et génère une accentuation à une fréquence donnée ou un nombre de fréquences.

Lorsque vous installez les bouchons de port, l'extension générale des basses ne sera pas réduite, en revanche l'énergie/puissance des basses sera réduite autour de la fréquence de réglage du port. Ainsi, l'effet de « boom » des basses sera réduit tout en reproduisant un son clair et léger.

Dans toutes les circonstances, il est recommandé de faire des expérimentations.

Rodage de vos enceintes

Rodez vos enceintes en jouant de la musique à des niveaux bas/médium pendant approximativement 50 à 70 heures. Il est possible que vous trouviez que le son continue à s'améliorer même après 70 heures.

Ce peut être fait naturellement avec le temps : comme un vin fin, la performance s'améliorera avec l'âge.

Alternativement, si vous souhaitez faire jouer les enceintes en boucle continue, vous pouvez réduire le volume/présence audible en plaçant les enceintes face à face pour que les pilotes/tweeters soient directement alignés et aussi proches que possible. Connectez ensuite l'amplificateur à vos enceintes pour que l'une soit normale (en phase) : positif vers positif et négatif vers négatif (rouge vers rouge et noir vers noir), et l'autre enceinte hors phase : positif vers négatif et négatif vers positif sur les entrées de l'enceinte.

Réglage du boulon de retenue

La nouvelle série Silver possède une fixation de haut-parleur à vis traversante afin de réduire la coloration au cabinet. Chaque vis agit comme un bras rigide et permet également de se passer des fixations de haut-parleurs traditionnelles. Ainsi, le découplage du haut-parleur et de l'enceinte frontale est plus efficace et toute source éventuelle de résonance est éliminée.

REMARQUE : Si cette vis se desserre au fil du temps ou si elle a été desserrée pendant le transport, veuillez utiliser la clé hexagonale fournie pour resserrer la vis. Un quart de tour suffit une fois que la vis n'est plus sous tension.

Garantie

Le savoir-faire et la performance de ce produit sont garantis contre les défauts de fabrication pour une période de **cinq** ans à partir de la date d'achat (voir conditions dans le livret Instructions de sécurité importantes), dans la mesure où le produit a été fourni par un revendeur Monitor Audio agréé selon un accord de vente.

Pour vérifier la garantie de votre fabricant, veuillez consulter le formulaire d'enregistrement en ligne sur : **monitoraudio.com**.

Informations utilisateur

Détails du produit

Modèle : _____

Numéro de série du produit : _____

Panneau d'amplificateur Numéro de série : _____

Date d'achat : _____

Informations du revendeur

Nom du revendeur : _____

Adresse : _____

Code postal : _____

Adresse e-mail : _____

Monitor Audio se réserve le droit de modifier les spécifications sans notification préalable.

Spécifications

MODÈLE	Silver 50	Silver 100	Silver 200	Silver 300	Silver 500	Silver C150	Silver C350	Silver FX
Format du système	2 voies	2 voies	2 voies et demi	3 voies	3 voies	2 voies et demi	3 voies	2 voies
Réponse en fréquence (-6 dB)	52 Hz - 35 kHz	40 Hz - 35 kHz	38 Hz - 35 kHz	32 Hz - 35 kHz	30 Hz - 35 kHz	52 Hz - 35 kHz	40 Hz - 35 kHz	60 Hz - 35 kHz
Sensibilité (1 W à 1 m)	87 dB	88 dB	89 dB	90 dB	90 dB	90 dB	90 dB	87 dB
Impédance nominale	8 Ohms	8 Ohms	8 Ohms	8 Ohms	8 Ohms	8 Ohms	8 Ohms	8 Ohms
Impédance minimale	4,1 Ohms @ 220 Hz	4,5 Ohms @ 167 Hz	4,7 Ohms @ 182 Hz	3,5 Ohms @ 146 Hz	3,1 Ohms @ 2,45 kHz	3,7 Ohms @ 193 Hz	3,2 Ohms @ 176 Hz	4,0 Ohms @ 229 Hz
SPL maximum	110 dBA (paire)	112 dBA (paire)	114 dBA (paire)	116 dBA (paire)	117 dBA (paire)	112 dBA	113 dBA	110 dBA (paire)
Puissance nominale (RMS) en Watts	100 W	120 W	150 W	200 W	250 W	150 W	200 W	85 W
Régliages d'ampli conseillés (RMS)	40 - 100 W	40 - 120 W	60 - 150 W	80 - 200 W	80 - 250 W	60 - 150 W	80 - 200 W	30 - 85 W
Alignement des basses	Bass reflex. Technologie de port HiVe II	Bass reflex. Technologie de port HiVe II	Double chambre Bass-reflex avec réglage différentiel. Technologie de port HiVe double	Bass reflex. Technologie de port HiVe II double	Bass reflex. Technologie de port HiVe II double	Cabinet scellé	Cabinet scellé	Cabinet scellé
Fréquence de crossover	3,0 kHz	2,8 kHz	L.F. : 700 Hz M.F./H.F. : 2,9 kHz	L.F./M.F. : 570 Hz M.F./H.F. : 3,5 kHz	L.F./M.F. : 625 Hz M.F./H.F. : 3,1 kHz	L.F. 650 Hz M.F./H.F. : 3,1 kHz	L.F./M.F. : 850 Hz M.F./H.F. : 3,2 kHz	2,5 kHz
Complément de haut-parleur	Haut-parleur médium/grave 1 x 5,14" RST Tweeter à dôme doré C-CAM 1 x 1" (25 mm) tweeter	Haut-parleur médium/grave 1 x 8" RST Tweeter à dôme doré C-CAM 1 x 1" (25 mm)	Haut-parleur de grave 1 x 5,14" RST Haut-parleur de grave/medium 1 x 5,14" RST Tweeter à dôme doré C-CAM 1 x 1" (25 mm)	Haut-parleur de grave 2 x 6" RST Haut-parleur médium 1 x 4" RST Tweeter à dôme doré C-CAM 1 x 1" (25 mm)	Haut-parleur de grave 2 x 8" RST Haut-parleur médium 1 x 4" RST Tweeter à dôme doré C-CAM 1 x 1" (25 mm)	Haut-parleur médium/grave 2 x 5,14" RST Tweeter à dôme doré C-CAM 1 x 1" (25 mm)	Haut-parleur médium/grave 1 x 6" RST Haut-parleur médium 1 x 4" RST Tweeter à dôme doré C-CAM 1 x 1" (25 mm)	Haut-parleur médium/grave 1 x 6" RST Tweeter à dôme doré C-CAM 2 x 1" (25 mm)
Dimensions du cabinet (sans la grille, les terminaux et les plaques de balancier) (H x L x P)	270 x 165 x 240 mm 10,58 x 6,52 x 9,716 pouces	375 x 230 x 300 mm 14,34 x 9,116 x 11,1316 pouces	885 x 165 x 240 mm 34,1316 x 6,52 x 9,716 pouces	1000 x 185 x 300 mm 39,38 x 7,516 x 11,1316 pouces	1050 x 230 x 300 mm 41,516 x 9,116 x 11,1316 pouces	165 x 450 x 200 mm 6,52 x 17,716 x 7,78 pouces	235 x 560 x 240 mm 9,14 x 22,116 x 9,716 pouces	250 x 310 x 130 mm 9,1316 x 12,316 x 5,18 pouces
Dimensions externes (terminals et grille compris) (H x L x P)	270 x 165 x 269 mm 10,58 x 6,52 x 10,5816 pouces	375 x 230 x 329 mm 14,34 x 9,116 x 12,1316 pouces	885 x 165 x 269 mm 34,1316 x 6,52 x 10,5816 pouces	1000 x 185 x 329 mm 39,38 x 7,516 x 12,1316 pouces	1050 x 230 x 329 mm 41,516 x 9,116 x 12,1316 pouces	165 x 450 x 229 mm 6,52 x 17,716 x 9,1316 pouces	235 x 560 x 270 mm 9,14 x 22,116 x 10,5816 pouces	250 x 322 x 147 mm 9,1316 x 12,116 x 5,1316 pouces
Dimensions externes (incluant les plaques de balancier et pieds + pointes) (H x L x P)	N/D	N/D	918 x 232 x 307 mm 36,18 x 9,18 x 12,116 pouces	1034 x 252 x 367 mm 40,116 x 9,1516 x 14,116 pouces	1083 x 297 x 367 mm 42,58 x 11,1116 x 14,116 pouces	N/D	N/D	N/D
Poids (par haut-parleur)	6 kg	9,3 kg	14,6 kg	20 kg	22,8 kg	9,1 kg	14,9 kg	4,3 kg

Sommario

Introduzione_____	18
Punte e piedini_____	19
Per pavimenti con moquette_____	19
Per pavimenti in legno/duri_____	19
Installazione_____	19
Posizionamento di un sistema a 2 canali_____	19
Posizionamento audio-video_____	20
Installare l'unità Silver FX_____	20
Atmos_____	21
Montare l'unità Silver FX su una parete_____	21
Cablaggio_____	22
Single wiring_____	22
Bi-wiring_____	22
Bi-amping_____	22
Gli effetti del bi-wiring e del bi-amping_____	23
Tappi per le aperture_____	23
Rodaggio degli altoparlanti_____	24
Regolazione dei bulloni di fissaggio_____	24
Garanzia_____	24
Informazioni per l'utente_____	24
Specifiche_____	25

Introduzione

La stimata serie Silver raggiunge adesso la sua sesta generazione e introduce grandi innovazioni nel design di tutta la gamma. Ogni modello è stato sviluppato per risultare più accattivante ad audiofili e appassionati di home theater, offrendo al contempo performance che raggiungono un nuovo livello. Due nuovi altoparlanti centrali adesso consentono di assemblare discreti o grandi sistemi home theater eleganti e potenti. I modelli Silver 50 e Silver 200 sono più compatti, quindi più attraenti per gli spazi abitativi moderni, ma offrono le prestazioni attese da altoparlanti molto più grandi. Questi due modelli possono essere combinati con il compatto altoparlante centrale Silver C150 dalla tonalità abbinabile e dall'aspetto discreto per formare un sistema multicanale compatto ad alte prestazioni. L'altoparlante centrale Silver C350 adesso permette di creare un sistema home theater senza compromessi, costruito intorno ai modelli Silver 100, Silver 300 o Silver 500.

Punte e piedini



Selezionare le finiture sono fornite con una guarnizione di schiuma sul montante, assicurarsi che questo lato sia posto sull'armadio.

Per pavimenti in legno/duri

(solo Silver 200, 300 e 500)

I piedini e gli stabilizzatori sono forniti già assemblati per l'uso su pavimenti privi di moquette, in legno, duri o non adatti alle punte. È sufficiente montarli sulla base dell'altoparlante con i dadi forniti in dotazione (A e B).

È possibile verificare che tutti i lati dell'altoparlante siano in piano utilizzando la livella. Se è leggermente sbilanciato, svitare il piedino che si trova nel punto più basso e controllare di nuovo. Continuare in questo modo finché la cassa non sarà completamente in piano. Utilizzare un dado di fissaggio su ogni piedino per bloccarlo ed evitare vibrazioni.

Per pavimenti con moquette

(solo Silver 200, 300 e 500)

Se l'altoparlante viene installato su un pavimento con moquette, avvitare la punta nel blocco composto da piedino e stabilizzatore. Montarli sulla base dell'altoparlante con i dadi forniti in dotazione (A e B).

È possibile verificare che tutti i lati dell'altoparlante siano in piano utilizzando una livella. Se è leggermente sbilanciato, svitare il piedino che si trova nel punto più basso e controllare di nuovo. Continuare in questo modo finché la cassa non sarà completamente in piano. Utilizzare un dado di fissaggio su ogni piedino per bloccarlo ed evitare vibrazioni.



Assicurarsi che sotto la moquette non ci siano cavi nascosti che potrebbero venire danneggiati dalle punte.

Installazione

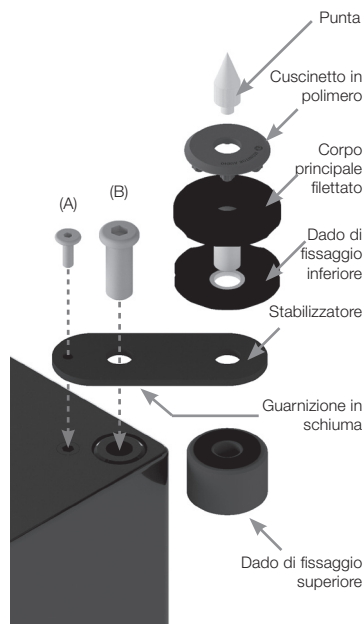
Posizionamento di un sistema a 2 canali

Durante l'installazione di un sistema a 2 canali, la posizione d'ascolto e gli altoparlanti dovrebbero formare un triangolo equilatero. Le casse andrebbero posizionate a una distanza di circa 1,8 m - 3 m l'una dall'altra. La distanza ideale dalla parete posteriore varia a seconda dell'altoparlante (consultare la lista di seguito), ma in ogni caso devono trovarsi almeno a 91 cm dalle pareti laterali.

- Silver 50 15 - 30 cm
- Silver 100 e 200 20 - 36 cm
- Silver 300 e 500 30 - 61 cm

NOTA: queste sono le distanze consigliate per ottenere prestazioni eccellenti. I risultati effettivi varieranno in funzione delle dimensioni e della realizzazione della stanza.

È vivamente consigliato provare varie soluzioni quando si installano gli altoparlanti per la prima volta, così da poter fare la scelta migliore in base all'ambiente e alle preferenze personali. Se ad esempio i bassi sono insufficienti, provare ad avvicinare gli altoparlanti a una parete. Se i bassi sono eccessivi, consigliamo l'approccio inverso. Leggere anche le informazioni sui tappi per le aperture a pagina 23. Se la resa stereo si è deteriorata, provare a ruotare leggermente gli altoparlanti verso il punto d'ascolto. Il suono dovrebbe sembrare provenire dal punto centrale fra gli altoparlanti, non dalle casse.



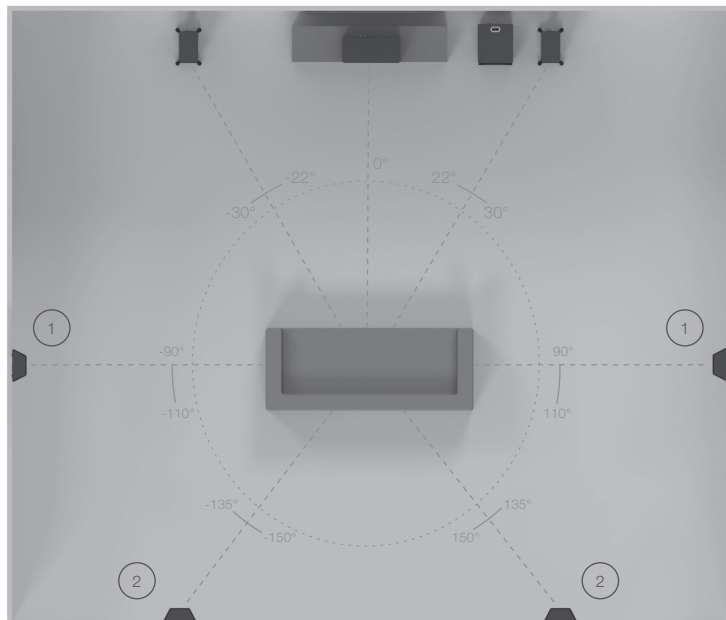
Posizionamento audio-video

Fare riferimento alle illustrazioni qui sotto e nella pagina a fianco per le angolazioni e le posizioni ideali di ognuno degli altoparlanti del sistema surround. Gli altoparlanti dovrebbero essere posti a una distanza dalla parete determinata dai requisiti dell'unità elencati nel paragrafo "Posizionamento di un sistema a 2 canali" (a pagina 19).

Se durante la riproduzione di musica (senza subwoofer) i bassi sono eccessivi o rimbombano, provare ad allontanare leggermente gli altoparlanti dalle pareti. Se ciò non fosse possibile, provare a installare sulle aperture i tappi in dotazione. In un sistema inclusivo di subwoofer, provare a regolare le impostazioni della frequenza di crossover degli altoparlanti e/o a cambiare la posizione del subwoofer.

L'altoparlante Silver del canale centrale andrebbe sistemato in modo da puntare verso la posizione dello spettatore, approssimativamente all'altezza delle orecchie.

NOTA: le immagini in queste pagine hanno solo uno scopo illustrativo. Se si utilizza l'unità Silver FX, fare riferimento a pagina 20.



1. Altoparlanti surround laterali

2. Altoparlanti surround posteriori

Un sistema surround 7.1 sfrutterà gli altoparlanti laterali (posizione 1) e posteriori (posizione 2) per creare un audio a 360°; per l'installazione di un sistema 5.1, gli altoparlanti surround possono essere disposti nella posizione (1) o (2).

Installare l'unità Silver FX

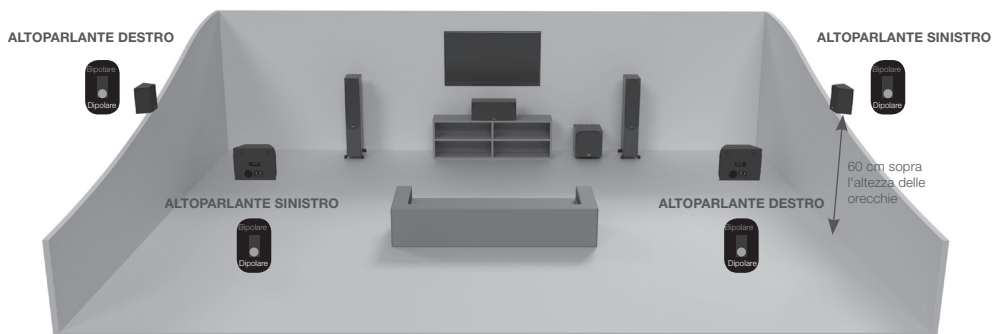
L'unità Silver FX dispone delle modalità di ascolto Dipolare o Bipolare. In modalità Bipolare, il driver e i tweeter sono in fase. In modalità Dipolare, uno dei tweeter è fuori fase rispetto all'altro e al driver principale per ottenere un audio diffuso. Gli altoparlanti FX dovrebbero essere montati sulle pareti circa 60 cm sopra l'altezza delle orecchie.

Interruttore Dipolare/Bipolare: quando questa unità funge da altoparlante posteriore di un sistema 5.1, impostare l'interruttore su Bipolare. Naturalmente non c'è niente di sbagliato nello sperimentare con l'interruttore impostato sulla modalità Dipolare.

Invece, in presenza di un sistema 7.1 dotato di una coppia di FX, impostare l'interruttore su Dipolare. Se si utilizzano due coppie di FX per gli effetti laterali e posteriori, impostarli tutti in modalità Dipolare e scambiare gli altoparlanti FX destro e sinistro, mantenendo quelli posteriori nella posizione originale (in modo che corrispondano ai canali frontali destro e sinistro) come illustrato a pagina 21.



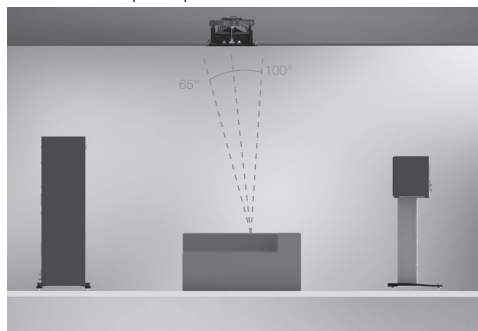
NOTA: prima di impostare gli interruttori, assicurarsi che l'amplificatore sia almeno spento per evitare di danneggiarlo.



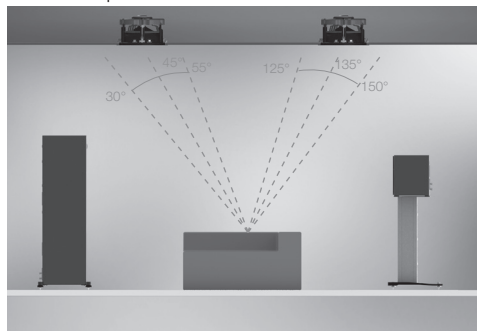
Atmos

Nell'installazione di un sistema Atmos, raccomandiamo di utilizzare l'unità C265-IDC o CPCT380-IDC per i canali Atmos. Questi altoparlanti utilizzano un modulo midrange/tweeter IDC (Inverted Dual Concentric) rotante unico e ideale per le esigenze di Atmos, che offre caratteristiche di dispersione più ampie. Potete trovare maggiori informazioni su C265-IDC e CPCT380-IDC sul nostro sito internet: monitoraudio.com

Vedere sotto per il posizionamento ideale di installazioni a 2 o 4 altoparlanti.



2 altoparlanti Atmos (in linea coi frontali sinistro e destro)



4 altoparlanti Atmos (in linea coi frontali sinistro e destro)

Montare l'unità Silver FX su una parete



ATTENZIONE: determinare sempre la posizione di montaggio dell'unità Silver FX e verificare la struttura della parete. Per motivi di sicurezza, se non si è certi di poter fissare l'unità in modo stabile e sicuro, non tentare di montarla. Chiedere, invece, l'intervento di un professionista qualificato.



ATTENZIONE: assicurarsi che dietro il punto in cui verrà fissata la piastra a muro non passino tubi idrici o cavi elettrici. Utilizzare una scala stabile ed evitare di lasciare cavi pendenti.



NOTA: con le unità Silver FX non vengono forniti tasselli e viti per il montaggio. Utilizzare solo dispositivi di montaggio adatti al tipo di parete su cui si intende installare l'unità.

L'unità Silver FX è dotata di staffe di serraggio montate sulla cassa. Con le unità FX non vengono forniti tasselli e viti per il montaggio. Assicurarsi di utilizzare dispositivi di montaggio adatti al tipo di parete su cui si intende installare l'unità FX.

Per fissare l'unità FX sulla parete, raccomandiamo di utilizzare il modello che si trova nella scatola del prodotto.

Cablaggio

Single wiring

Il single wiring si ottiene collegando un solo set di cavi ai terminali presenti sul retro dell'altoparlante. Internamente il crossover dell'altoparlante indirizza le frequenze al driver/tweeter appropriato: le frequenze basse ai driver bassi, le frequenze medie ai driver bassi/medi e le frequenze alte al tweeter.

La connessione può essere effettuata indifferentemente ai terminali in alto, in basso o in diagonale (provare diverse soluzioni fino a ottenere i risultati voluti).



NOTA: quando si usa questo metodo, è importante non rimuovere i ponticelli.

Bi-wiring

Il bi-wiring può essere ottenuto collegando coppie separate di cavi degli altoparlanti ai terminali sull'altoparlante da una singola coppia di connessioni sull'amplificatore. Nel caso della serie Silver, i terminali inferiori si collegano al/ai driver basso/i e quelli superiori AF al tweeter negli altoparlanti a 2 vie o al driver medio e al tweeter negli altoparlanti a 2,5 e 3 vie.



NOTA: quando si usa questo metodo, i ponticelli DEVONO essere rimossi.

Bi-amping

Il bi-amping è come il bi-wiring, eccetto il fatto che nell'equazione si introduce un secondo amplificatore.

Il bi-amping può essere ottenuto collegando un set di cavi degli altoparlanti ai terminali superiori dell'altoparlante da un amplificatore e un altro set di cavi ai terminali inferiori dal secondo amplificatore.



NOTA: quando si usa questo metodo, i ponticelli DEVONO essere rimossi.

Gli effetti del bi-wiring e del bi-amping

Di base il crossover di un altoparlante varia impedenza dell'altoparlante stesso e dell'amplificatore di potenza. La situazione è tale per cui quando il segnale musicale completo viene applicato ai terminali di un sistema di altoparlanti completo, i driver bassi riceveranno solo segnali a bassa frequenza, i driver medi quelli a media frequenza e i tweeter solo segnali ad alta frequenza. Ciò significa che se ai terminali a bassa frequenza e a quelli ad alta frequenza vengono collegati cavi degli altoparlanti separati, non solo le unità drive si vedranno la frequenza diretta e divisa, ma inoltre i due cavi degli altoparlanti separati porteranno segnali diversi: il cavo dei bassi porterà quasi esclusivamente i bassi, mentre il cavo del tweeter porterà quasi solo gli alti.

Una volta separate con questo metodo le frequenze alte da quelle basse, i forti impulsi e picchi di corrente richiesti dai driver bassi durante la riproduzione di un basso o una batteria non interferiranno con i delicati suoni di un flauto o dei piatti.

In un sistema a cavo singolo, le risonanze meccaniche ed elettriche indesiderate manifestano una distorsione in entrambi i set dei terminali degli altoparlanti. A causa dell'impedenza dei cavi degli altoparlanti, tali distorsioni non verranno interamente eliminate dall'amplificatore. Al contrario, si moduleranno tra i due crossover e andranno a inficiare la qualità del suono. Con il bi-wiring, questa interazione è ridotta al minimo poiché la distorsione del segnale è "vista" a livello dell'uscita dell'amplificatore, dove può essere più efficacemente eliminata. Pertanto il bi-wiring/bi-amping consente di ottenere un segnale "più pulito" sia nei terminali a bassa che ad alta frequenza, e poiché le frequenze alte e basse sono già state separate, ciascuna di esse ha un effetto minimo sull'altra: in pratica i bassi non sopraffanno sugli alti più delicati.

In termini di vantaggi udibili, il bi-wiring/bi-amping dà una maggior chiarezza e mantiene un suono più dettagliato alle frequenze medie e alte. Spesso i bassi diventeranno più veloci e decisi. Inoltre, la precisione e i risultati in generale miglioreranno notevolmente. Nel complesso, si tratta di un miglioramento efficace e molto vantaggioso, fortemente consigliato da Monitor Audio.

Tappi per le aperture



ATTENZIONE: fare attenzione a non inserire il tappo in schiuma troppo a fondo nell'apertura, per evitare il rischio di perderlo all'interno della cassa.

Se l'altoparlante verrà installato in una stanza piccola (circa 9 mq) o in un ambiente che tende ad accentuare la risposta dei bassi, può essere utile utilizzare i tappi per le aperture. Tuttavia, prima di installare i tappi è bene fare qualche prova variando il posizionamento della cassa. Per ottimizzare le prestazioni dell'altoparlante, assicurarsi che questo non sia troppo vicino a una parete o negli angoli della stanza.

Se il posizionamento dell'altoparlante è condizionato dall'estetica o dalla disposizione della stanza, se i bassi risultano accentuati o se gli altoparlanti devono essere posizionati molto vicini (a una distanza inferiore a quella consigliata a pagina 19) a una parete posteriore (per esempio su una libreria, in un mobiletto o su un'asta accanto a un muro), si raccomanda di utilizzare i tappi per le aperture. Ciò permetterà di ridurre il rimbombo dei bassi e aiuterà il diffusore a dare il meglio in queste condizioni ambientali. Il rimbombo si verifica generalmente quando l'energia dei bassi provenienti dall'altoparlante crea delle risonanze che accentuano una frequenza particolare o anche varie frequenze.

L'uso dei tappi non riduce l'estensione d'insieme dei bassi, tuttavia viene ridotta l'energia/potenza di uscita dei bassi intorno alla frequenza di accordo dell'apertura. Ciò ha l'effetto di diminuire il rimbombo aumentando nel contempo la chiarezza e l'agilità apparente dei bassi.

Consigliamo vivamente di provare varie soluzioni.

Rodaggio degli altoparlanti

Eeguire il rodaggio degli altoparlanti riproducendo della musica a volume medio-basso per circa 50-70 ore di ascolto. È possibile avvertire un miglioramento del suono anche trascorse le 70 ore indicate.

Questo può avvenire in modo naturale: proprio come un buon vino, le prestazioni miglioreranno col trascorrere del tempo.

In alternativa, se si desidera una riproduzione continua, è possibile diminuire il volume/la presenza percepibile, posizionando un'unità di fronte all'altra così che i driver/tweeter siano allineati e si trovino il più vicino possibile. Quindi collegare l'amplificatore agli altoparlanti in modo che uno sia connesso normalmente (in fase), positivo-positivo e negativo-negativo (rosso col rosso e nero col nero), e l'altro sia connesso fuori fase, positivo-negativo e negativo-positivo.

Regolazione dei bulloni di fissaggio

La nuova serie Silver è caratterizzata da driver con fissaggio a bullone singolo per ridurre il timbro della cassa. Ciascun bullone funge da struttura rigida, ma elimina anche la necessità di utilizzare sistemi di fissaggio convenzionali, disaccoppiando il driver e il pannello anteriore per rimuovere un'ulteriore fonte di risonanza.

NOTA: se il bullone dovesse allentarsi, con il tempo o durante il trasporto, utilizzare la chiave esagonale in dotazione per stringerlo. Una volta serrato il bullone, è sufficiente ruotare ancora di un quarto di giro.

Garanzia

La fattura e le prestazioni di questo prodotto sono garantite da difetti di fabbricazione per **cinque** anni a partire dalla data di acquisto (leggere le condizioni nel libretto "Informazioni importanti sulla sicurezza"), a condizione che il prodotto sia stato fornito da un rivenditore Monitor Audio autorizzato con contratto di vendita.

Per verificare la garanzia del costruttore, vedere il modulo di registrazione online all'indirizzo:
monitoraudio.com

Informazioni per l'utente

Dettagli prodotto

Modello: _____

Num. di serie prodotto: _____

Data di acquisto: _____

Informazioni rivenditore

Nome rivenditore: _____

Indirizzo: _____

Città, C.A.P., Nazione: _____

Indirizzo e-mail: _____

Monitor Audio si riserva il diritto di modificare le specifiche senza preavviso.

Specifiche

MODELLO	Silver 50	Silver 100	Silver 200	Silver 300	Silver 500	Silver C150	Silver C350	Silver FX
Formato sistema	2 vie	2,5 vie	2,5 vie	3 vie	3 vie	2,5 vie	3 vie	2 vie
Risposta in frequenza (-6 dB)	52 Hz - 35 kHz	40 Hz - 35 kHz	38 Hz - 35 kHz	32 Hz - 35 kHz	30 Hz - 35 kHz	52 Hz - 35 kHz	40 Hz - 35 kHz	60 Hz - 35 kHz
Sensibilità (1 W a 1 m)	87 dB	88 dB	89 dB	90 dB	90 dB	90 dB	90 dB	87 dB
Impedenza nominale	8 Ohm	8 Ohm	8 Ohm	8 Ohm	8 Ohm	8 Ohm	8 Ohm	8 Ohm
Impedenza minima	4,1 Ohm a 220 Hz	4,5 Ohm a 167 Hz	4,7 Ohm a 182 Hz	3,5 Ohm a 146 Hz	3,1 Ohm a 2,45 kHz	3,7 Ohm a 193 Hz	3,2 Ohm a 176 Hz	4,0 Ohm a 229 Hz
SPL massimo	110 dBA (coppia)	112 dBA (coppia)	114 dBA (coppia)	116 dBA (coppia)	117 dBA (coppia)	112 dBA	113 dBA	110 dBA (coppia)
Tenuta di potenza (RMS)	100 W	120 W	150 W	200 W	250 W	150 W	200 W	85 W
Requisiti consigliati amplificatore (R.M.S.)	40 - 100 W	40 - 120 W	60 - 150 W	80 - 200 W	80 - 250 W	60 - 150 W	80 - 200 W	30 - 85 W
Allineamento bassi	Bass reflex. Apertura Hive II	Bass reflex. Apertura Hive II	Bass reflex a doppia camera con accordo differenziale. Due aperture Hive	Bass reflex. Due aperture Hive II	Bass reflex. Due aperture Hive II	Cassa chiusa	Cassa chiusa	Cassa chiusa
Frequenza di crossover	3,0 kHz	2,8 kHz	B.F./M.F.: 700 Hz M.F./A.F.: 2,9 kHz	B.F./M.F.: 570 Hz M.F./A.F.: 3,5 kHz	B.F./M.F.: 625 Hz M.F./A.F.: 3,1 kHz	B.F. 650 Hz M.F./A.F.: 3,1 kHz	B.F./M.F.: 830 Hz M.F./A.F.: 3,2 kHz	2,5 kHz
Completamento unità drive	1 driver bassi/medi RST da 5" ^{1/4} 1 tweeter C-CAM Gold Dome da 1" (25 mm)	1 driver bassi/medi RST da 8" 1 tweeter C-CAM Gold Dome da 1" (25 mm)	1 driver bassi/medi RST da 5" ^{1/4} 1 driver bassi/medi RST da 5" ^{1/4} 1 tweeter C-CAM Gold Dome da 1" (25 mm)	2 driver bassi RST da 6" 1 driver bassi/medi RST da 4" 1 tweeter C-CAM Gold Dome da 1" (25 mm)	2 driver bassi RST da 6" 1 driver bassi/medi RST da 4" 1 tweeter C-CAM Gold Dome da 1" (25 mm)	2 driver bassi/medi RST da 5" ^{1/4} 1 tweeter C-CAM Gold Dome da 1" (25 mm)	2 driver bassi RST da 6" 1 driver bassi/medi RST da 4" 1 tweeter C-CAM Gold Dome da 1" (25 mm)	1 driver bassi/medi RST da 6" 2 tweeter C-CAM Gold Dome da 1" (25 mm)
Dimensioni cassa (esclusi griglia, terminali e stabilizzatori) (A x L x P)	270 x 165 x 240 mm 10 ^{5/8} x 6 ^{1/2} x 9 ^{7/16} "	375 x 230 x 300 mm 14 ^{3/4} x 9 ^{1/16} x 11 ^{13/16} "	885 x 165 x 240 mm 34 ^{13/16} x 6 ^{1/2} x 9 ^{7/16} "	1.000 x 185 x 300 mm 39 ^{3/8} x 7 ^{5/16} x 11 ^{13/16} "	1.050 x 230 x 300 mm 41 ^{5/16} x 9 ^{1/16} x 7 ^{7/8} "	165 x 450 x 200 mm 6 ^{1/2} x 17 ^{11/16} x 7 ^{7/8} "	235 x 560 x 240 mm 9 ^{1/4} x 22 ^{1/16} x 9 ^{7/16} "	250 x 310 x 130 mm 9 ^{13/16} x 12 ^{3/16} x 5 ^{1/8} "
Dimensioni esterne (inclusi griglia e terminali) (A x L x P)	270 x 165 x 269 mm 10 ^{5/8} x 6 ^{1/2} x 10 ^{7/16} "	375 x 230 x 329 mm 14 ^{3/4} x 9 ^{1/16} x 12 ^{15/16} "	885 x 165 x 269 mm 34 ^{13/16} x 6 ^{1/2} x 10 ^{3/16} "	1.000 x 185 x 329 mm 39 ^{3/8} x 7 ^{5/16} x 12 ^{15/16} "	1.050 x 230 x 329 mm 41 ^{5/16} x 9 ^{1/16} x 12 ^{15/16} "	165 x 450 x 229 mm 6 ^{1/2} x 17 ^{11/16} x 9"	235 x 560 x 270 mm 9 ^{1/4} x 22 ^{1/16} x 10 ^{3/16} "	250 x 322 x 147 mm 9 ^{13/16} x 12 ^{11/16} x 5 ^{13/16} "
Dimensioni esterne (inclusi stabilizzatori e punte e piedini) (A x L x P)	N.D.	N.D.	918 x 232 x 307 mm 36 ^{1/8} x 9 ^{1/8} x 12 ^{1/16} "	1.034 x 252 x 367 mm 40 ^{11/16} x 9 ^{15/16} x 14 ^{7/16} "	1.083 x 297 x 367 mm 42 ^{3/8} x 11 ^{11/16} x 14 ^{7/16} "	N.D.	N.D.	N.D.
Peso (ciascuno)	6 kg	9,3 kg	14,6 kg	20 kg	22,8 kg	9,1 kg	14,9 kg	4,3 kg

Inhalt

Einleitung	26
Stifte und FüÙe	27
Bei Teppichböden	27
Bei Holzböden/harten Bodenbelägen	27
Einstellung	27
Zweikanal-Aufstellung	27
AV-Aufstellung	28
Aufstellung des Silver-FX	28
Atmos	29
Wandbefestigung des Silver-FX	29
Verkabelung	30
Einzelader	30
Bi-Verkabelung	30
Bi-Amping	30
Auswirkungen von Bi-Verkabelung/Bi-Amping	31
Anschlusspfropfen	31
Inbetriebnahme der Lautsprecher	32
Justierung der Haltebolzen	32
Garantie	32
Eigentümerinformationen	32
Technische Daten	33

Einleitung

Die renommierte Silver-Serie erscheint nun in der sechsten Generation und stellt über die gesamte Produktpalette hinweg bahnbrechend neue Designs vor. Jedes Modell wurde entwickelt, um ein breiteres Publikum von Audiophilen und Heimkino-Enthusiasten gleichermaßen anzusprechen und zudem Leistung auf einem völlig neuen Niveau zu bieten. Zwei neue Center-Lautsprecher ermöglichen nun die Installation stilvoller, unaufdringlicher oder großer, leistungsstarker Heimkino-Anlagen. Die kompakteren Modelle Silver 50 und Silver 200 sind eine attraktive Lösung für moderne Wohnräume, liefern jedoch die gleiche Leistung, wie man sie von weit größeren Lautsprechern erwartet. Silver 50 und Silver 200 können mit dem kompakten Center-Lautsprecher Silver C150 tonal aufeinander abgestimmt und visuell unauffällig zu einem kompakten hochleistungsfähigen Mehrkanal-System kombiniert werden. Der Center-Lautsprecher Silver C350 bietet nun die Möglichkeit, basierend auf den Modellen Silver 100, Silver 300 oder Silver 500 ein kompromissloses Heimkinosystem zu kreieren.

Stifte und FüÙe



Wählen Sie fertig mit einer Schaumstoffdichtung am Ausleger, bitte stellen Sie sicher, dass diese Seite auf dem Schrank steht.

Bei Holzböden/harten Bodenbelägen

(nur Silver 200, 300 und 500)

Die FüÙe und „Ausleger“ werden für die Verwendung auf Böden ohne Teppich oder auf Holzfußböden oder harten Böden, oder wenn Stifte ungeeignet sind, fertig zusammengebaut ausgeliefert. Sie müssen sie nur mit den mitgelieferten Bolzen (A und B) an der Unterseite des Lautsprechers anbringen.

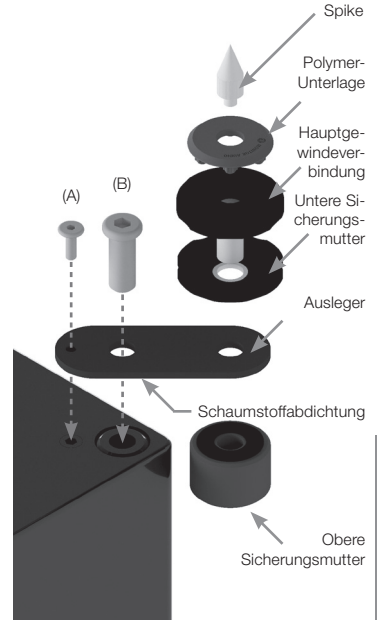
Prüfen Sie mit einer Wasserwaage, dass alle Seiten des Lautsprechers gleichmäßig hoch sind. Wenn das Gehäuse leicht uneben steht, schrauben Sie den tiefsten Fuß etwas heraus und prüfen Sie das Gehäuse erneut. Wiederholen Sie diesen Schritt so lange, bis das Gehäuse nicht mehr schief steht. Verwenden Sie zur sicheren Befestigung die Sicherungsmuttern an den FüÙen, damit keine unerwünschten Vibrationen auftreten.

Bei Teppichböden

(nur Silver 200, 300 und 500)

Wenn der Lautsprecher auf einem Teppichboden aufgestellt wird, schrauben Sie den Stift in die zusammengebaute Kombination aus Fuß und „Ausleger“. Bringen Sie sie mit den mitgelieferten Bolzen (A und B) an der Unterseite des Lautsprechers an.

Prüfen Sie mit einer Wasserwaage, dass alle Seiten des Lautsprechers gleichmäßig hoch sind. Wenn das Gehäuse leicht uneben steht, schrauben Sie den tiefsten Fuß etwas heraus und prüfen Sie das Gehäuse erneut. Wiederholen Sie diesen Schritt so lange, bis das Gehäuse nicht mehr schief steht. Verwenden Sie zur sicheren Befestigung die Sicherungsmuttern an den FüÙen, damit keine unerwünschten Vibrationen auftreten.



Vergewissern Sie sich bitte, dass unter dem Teppich keine versteckten Kabel verlaufen, die durch die Stifte beschädigt werden könnten.

Einstellung

Zweikanal-Aufstellung

Bei einem Zweikanalsystem sollten die Hörposition und die Lautsprecher ein gleichseitiges Dreieck bilden. Stellen Sie die Lautsprecher in einem Abstand von etwa 1,8 bis 3 Metern auf. Der ideale Abstand von der Rückwand hängt vom Lautsprecher ab (siehe Leitfaden unten), allerdings müssen die Lautsprecher mindestens 91 cm von den Seitenwänden entfernt stehen.

- Silver 50 15 - 30 cm
- Silver 100 & 200 20 - 36 cm
- Silver 300 & Silver 500 30 - 61 cm

HINWEIS: Dies sind empfohlene Abstände für optimale Leistung. Tatsächliche Ergebnisse sind von der Größe und Konstruktion des Raums abhängig.

Es wird nachdrücklich empfohlen, bei der ersten Aufstellung Ihrer Lautsprecher zu experimentieren, da die Umgebung und die persönlichen Klangvorlieben bei jeder Einrichtung variieren. Wenn beispielsweise der Bass nicht stark genug ist, stellen Sie Ihre Lautsprecher etwas näher an die Wand. Der umgekehrte Ansatz ist empfehlenswert, wenn der Klang zu basslastig ist. Lesen Sie diesbezüglich auch die Informationen auf Seite 31 über die Anschlusspfropfen. Wenn die Stereoabbildung verloren geht, drehen Sie die Lautsprecher etwas nach innen. Der Klang sollte vom Mittelpunkt zwischen den Lautsprechern ausgehen und nicht von den eigentlichen Lautsprechern.

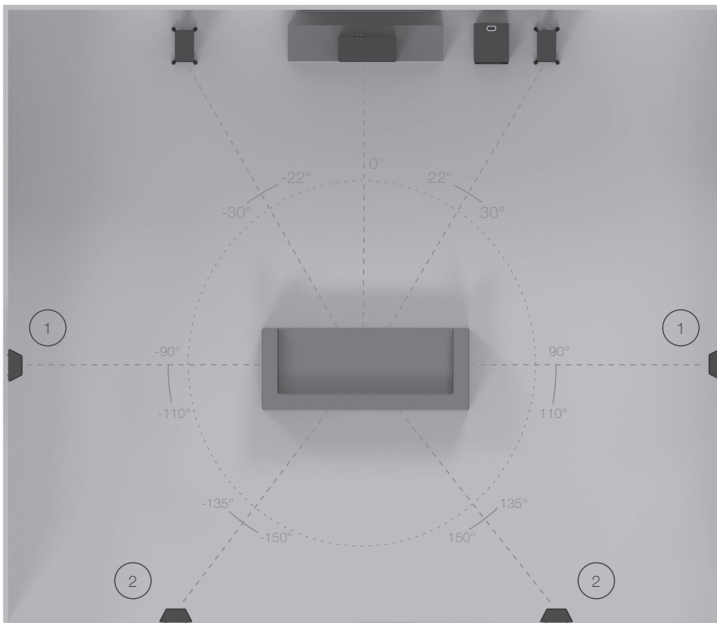
AV-Aufstellung

Bitte beachten Sie die Abbildung unten für die idealen Winkel und Positionen der einzelnen Lautsprecher im Surround-System. Die Lautsprecher sollten gemäß den Anforderungen des Lautsprechers, die im Abschnitt Zweikanal-Aufstellung (Seite 27) aufgeführt sind, mit einem Abstand von der Wand positioniert werden.

Wenn der Klang zu basslastig ist oder im Raum bei der Musikwiedergabe (ohne Subwoofer) ein Bassdröhnen auftritt, stellen Sie die Lautsprecher etwas weiter von den Wänden entfernt auf. Ist dies nicht möglich, verwenden Sie bitte die mitgelieferten Anschlusspfropfen. Versuchen Sie bei einem System mit Subwoofer, die Frequenzregelung der Lautsprecher und/oder des Subwoofers anzupassen oder die Position des Subwoofers zu ändern.

Der Silver-Center-Kanallautsprecher sollte so aufgestellt werden, dass er auf Ihre Betrachtungsposition ausgerichtet ist und sich etwa in Ohrhöhe befindet.

HINWEIS: Die Abbildungen unten dienen nur zu Illustrationszwecken. Wenn Sie den Silver-FX verwenden, lesen Sie dazu Seite 28.



1. Seitliche Surround-Lautsprecher
2. Hintere Surround-Lautsprecher

Ein 7.1-Surroundsystem nutzt die seitlichen (Position 1) und hinteren (Position 2) Lautsprecher, um ein volles 360°-Klangbild zu erzeugen. Wenn Sie ein 5.1-System einrichten, können Sie Ihre Surround-Lautsprecher auf Position (1) oder (2) aufstellen.

Aufstellung des Silver-FX

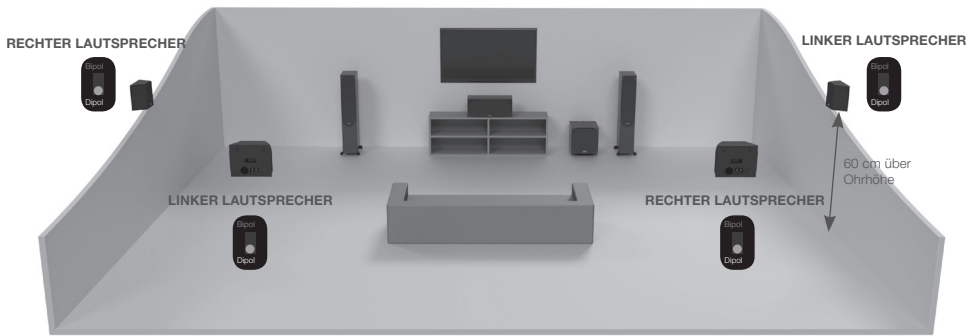
Der Silver-FX bietet Dipol- und Bipol-Hörmodi. Im bipolaren Modus sind Mittel-/Tieftöner und Hochtöner phasengleich. Im dipolaren Modus ist einer der Hochtöner zu den anderen Hochtönern und dem Haupttöner phasenverschoben, um einen diffusen Klang zu erzeugen. Die FX-Lautsprecher sollten etwa 60 cm über Ohrhöhe an der Wand angebracht sein.

Dipol-/Bipol-Schalter: Für hintere Lautsprecher in einem 5.1-System stellen Sie den Schalter auf Bipol. Natürlich können Sie auch experimentieren und versuchen, den Schalter in den Dipol-Modus zu stellen.

Als Teil eines 7.1-Systems mit einem Paar FX-Lautsprecher stellen Sie den Schalter auf Dipol. Falls Sie zwei Paar FX-Lautsprecher für seitliche und hintere Effekte verwenden, stellen Sie alle in den Dipol-Modus und vertauschen Sie die linken und rechten FX-Lautsprecher, aber behalten Sie bei den hinteren FX-Lautsprechern die korrekte Seiteneinstellung bei (hintere linke und rechte Kanäle werden also jeweils auf die vorderen linken und rechten Kanäle abgestimmt), wie auf Seite 4 dargestellt.



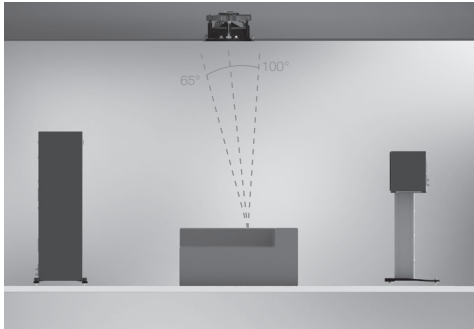
HINWEIS: Bevor Sie einen der Schalter anpassen, achten Sie bitte darauf, dass der Verstärker zumindest ausgeschaltet ist. Dies dient dem Schutz des Verstärkers.



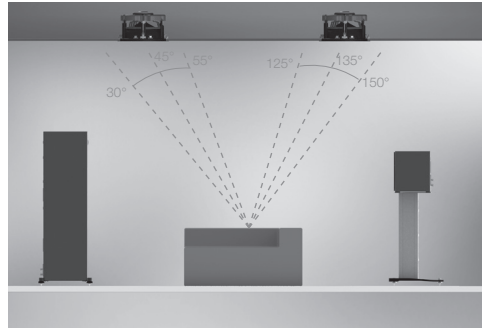
Atmos

Für die Aufstellung eines Atmos-Systems empfehlen wir die Verwendung unserer C265-IDC oder CPCT380-IDC für die Atmos-Kanäle. Diese Lautsprecher nutzen ein einzigartiges schwenkbares IDC- (Inverted-Dual-Concentric-) Mittel-/Hochfrequenzmodul, das breitere Dispersionseigenschaften bietet und sich deshalb sehr gut in Kombination mit Atmos eignet. Weitere Informationen zu C265-IDC und CPCT380-IDC finden Sie auf unserer Website unter: monitoraudio.com

Weitere Informationen über die ideale Positionierung von zwei oder vier Lautsprechern finden Sie unten.



2 Atmos-Lautsprecher (auf einer Linie mit vorne links und rechts)



4 Atmos-Lautsprecher (auf einer Linie mit vorne links und rechts)

Wandbefestigung des Silver-FX



ACHTUNG: Bestimmen Sie stets den Befestigungsort des Silver-FX und die Struktur des Mauerwerks im Voraus. Wenn Sie sich nicht sicher sind, ob eine sichere und zuverlässige Befestigung an Ihrer Wand möglich ist, sollten Sie die Lautsprecher aus Sicherheitsgründen nicht an Wand befestigen. Beauftragen Sie stattdessen einen kompetenten und fachkundigen Experten.



ACHTUNG: Vergewissern Sie sich, dass hinter dem Befestigungspunkt der Wandhalterung keine Wasserrohre oder Stromkabel in der Wand verlaufen. Stellen Sie sich bei der Arbeit auf eine sichere Trittleiter und vermeiden Sie herabhängende Kabel.



HINWEIS: Bei den Silver-FX-Lautsprechern liegen keine Befestigungsschrauben oder Stecker bei. Verwenden Sie bitte ausschließlich geeignete Befestigungselemente für die entsprechende Wandkonstruktion, an der Sie die Silver-FX-Lautsprecher anbringen möchten.

Der Silver-FX wird mit am Gehäuse montierten Befestigungsbeschlägen geliefert. Den FX-Lautsprechern liegen keine Befestigungsschrauben oder Stecker bei. Verwenden Sie bitte geeignete Befestigungselemente für die entsprechende Wandkonstruktion, an der Sie die FX-Lautsprecher anbringen möchten.

Für die Wandbefestigung Ihres FX-Lautsprechers empfehlen wir die Verwendung der Wandbefestigungsvorlage, die im Verpackungskarton beiliegt.

Verkabelung

Einzelader

Schließen Sie für die Einzelader einen Satz Kabel an die Anschlüsse auf der Rückseite des Lautsprechers an. Intern leitet die Lautsprecher-Frequenzweiche die Frequenzen an den entsprechenden Mittel-/Tief-/Hochtöner weiter. Niedrige Frequenzen gehen zu den Tieftönern, mittlere Frequenzen zu den Tief-/Mitteltönern und hohe Frequenzen zum Hochtöner.

Verbinden Sie die Anschlüsse gerne entweder oben, unten oder diagonal (wir empfehlen, dabei zu experimentieren, um die gewünschten Ergebnisse zu erzielen).



HINWEIS: Bei dieser Methode dürfen Sie die Klemmbrücken nicht entfernen.

Bi-Verkabelung

Bi-Verkabelung wird durch das Verbinden von separaten Paaren von Lautsprecherkabeln mit den Anschlüssen des Lautsprechers eines einzigen Anschlusspaares am Verstärker erreicht. Bei der Silver-Serie werden die unteren Anschlüsse mit dem/den Tieftöner(n) und die oberen Anschlüsse mit dem Hochtöner in den 2-Wege-Lautsprechern oder den mittleren und Hochtönern in den 2,5- und 3-Wege-Lautsprechern verbunden.



HINWEIS: Bei dieser Methode MÜSSEN die Klemmbrücken entfernt werden.

Bi-Amping

Bi-Amping ist identisch mit der Bi-Verkabelung. Sie müssen lediglich einen zweiten Verstärker mit einberechnen.

Beim Bi-Amping müssen Sie einen Satz Lautsprecherkabel mit den oberen Anschlüssen des Lautsprechers des einen Verstärkers und einen anderen Satz Lautsprecherkabel mit den unteren Anschlüssen des zweiten Verstärkers verbinden.



HINWEIS: Bei dieser Methode MÜSSEN die Klemmbrücken entfernt werden.

Auswirkungen von Bi-Verkabelung/Bi-Amping

Grundsätzlich variiert ein Lautsprecher-Crossover die Impedanz des Lautsprechers und des Leistungsverstärkers. Wenn das gesamte Spektrum des musikalischen Signals an die Anschlüsse eines Full-Range-Lautsprechersystems gesendet wird, erhält der Tieftöner nur niederfrequente Signale, der Mitteltöner erhält die mittleren Frequenzsignale und der Hochtöner nur Hochfrequenzsignale. Das bedeutet, wenn separate Lautsprecherkabel an die Nieder- und Hochfrequenzanschlüsse angeschlossen werden, werden die Frequenz nicht nur an die Tönereinheiten gerichtet und für sie unterteilt, sondern die zwei separaten Lautsprecherkabel übertragen nun auch verschiedene Signale, das Basskabel zumeist die Tiefen und das Hochtöner-Kabel zumeist die Höhen.

Wenn die hohen und tiefen Frequenzen auf diese Weise unterteilt wurden, beeinträchtigen die vom Tieftöner bei der Wiedergabe von Bass oder Schlagzeug benötigten starken Stromstöße nicht die zarten Klänge einer Flöte oder Zimbel.

In einem einzel-verkabelten System manifestieren sich unerwünschte mechanische und elektrische Resonanzen bei beiden Lautsprecheranschlüssen als Verzerrung. Aufgrund der Impedanz der Lautsprecherkabel können diese Verzerrungen nicht vollständig durch den Verstärker aufgehoben werden. Stattdessen modulieren sie zwischen den beiden Frequenzweichen und verschlechtern die Klangqualität. Bei der Bi-Verkabelung wird diese Wechselwirkung minimiert, da die Signalverzerrung am Ausgang des Verstärkers wahrgenommen wird, wo sie besser aufgehoben werden kann. Die Bi-Verkabelung/das Bi-Amping liefert daher ein „klares“ Signal an den Niederfrequenz- und Hochfrequenz-Lautsprecheranschlüssen, und da die hohen und niedrigen Frequenzen bereits abgesondert wurden, hat jeder Anschluss eine minimale Auswirkung auf den anderen – im Wesentlichen übertönt der Bass keine sanfteren Höhen.

In Bezug auf den Hörvorteil bieten die Bi-Verkabelung/das Bi-Amping mehr Schärfe und Detailgenauigkeit in den mittleren und hohen Frequenzen. Der Bass wird oft schneller und stärker. Ausrichtung und Staging werden ebenfalls verbessert. Alles in allem ist dies eine sehr wirksame und wünschenswerte Verbesserung, die von Monitor Audio empfohlen wird.

Anschlusspfropfen



WARNUNG: Achten Sie darauf, die Anschlusspfropfen nicht zu weit in die Öffnung einzuführen, da der Schaumpfropfen dadurch im Gehäuse stecken bleiben könnte.

Wenn der Lautsprecher in einem kleinen Raum (etwa 9 m²) oder einem Raum mit häufig auftretender, betonter Bassresonanz aufgestellt werden soll, kann die Verwendung von Anschlusspfropfen von Vorteil sein. Dabei wird jedoch empfohlen, vor der Anbringung bei der Aufstellung der Lautsprecher im Raum zu experimentieren. Prüfen Sie zur Optimierung der Lautsprecherleistung, ob der Lautsprecher nicht zu nah an einer Wand oder in einer Zimmerecke aufgestellt ist.

Falls die Positionierung der Lautsprecher vom Design oder Grundriss des Raums vorgegeben wird und Sie feststellen, dass der Bass besonders ausgeprägt ist, oder falls die Lautsprecher in unmittelbarer Nähe (weniger als dem auf Seite 27 empfohlene Abstand) zu einer Rückwand (wie bei einem Bücherregal, bei der Aufstellung in einem Schrank oder in der Nähe einer Wand) aufgestellt werden müssen, wird empfohlen, Anschlusspfropfen in den Öffnungen zu verwenden. Hierdurch wird das Bassdröhnen (oder Überhang) verringert und die Lautsprecher werden unter diesen Umgebungsbedingungen bei der Wiedergabe ihrer Höchstleistung unterstützt. Das Dröhnen wird verursacht, wenn die Bassleistung der Lautsprecher die Raummodi anregt und bei einer bestimmten Frequenz oder bei mehreren Frequenzen eine Bassanhebung verursacht.

Bei der Verwendung von Anschlusspfropfen wird nicht die Gesamt-Bassenergie verringert, sondern die Bassenergie/Bassleistung der Öffnungsfrequenzabstimmung. Dadurch verringert sich das Bassdröhnen und gleichzeitig erhöhen sich die Klarheit des Basses und die offensichtliche Lebendigkeit.

Es wird nachdrücklich empfohlen, dabei zu experimentieren.

Inbetriebnahme der Lautsprecher

Nehmen Sie Ihre Lautsprecher in Betrieb, indem Sie Musik bei niedrigen bis mittleren Lautstärken für etwa 50-70 Stunden laufen lassen. Sie werden feststellen, dass der Ton auch nach 70 Stunden Betrieb noch besser wird.

Dies geschieht im Laufe der Zeit: Wie bei einem guten Wein wird die Leistung mit der Zeit immer besser.

Wenn Sie die Lautsprecher ununterbrochen verwenden möchten, können Sie alternativ die akustische Lautstärke/Präsenz verringern, indem Sie die Lautsprecher einander gegenüberstellen, sodass die Tief-/Mittel-/Hochtöner direkt ausgerichtet sind und so nah wie möglich beieinander stehen. Schließen Sie dann den Verstärker an die Lautsprecher an, sodass einer normal (in Phase) ist: Plus an Plus und Minus an Minus (rot zu rot und schwarz zu schwarz) und dem anderen Lautsprecher phasenverschoben: Plus- an Minus-Eingänge und Minus- an Plus-Eingänge am Lautsprecher.

Justierung der Haltebolzen

Die neue Silver-Serie hat eine Schraubbefestigung zur Verringerung der Gehäuseverfärbung. Jede Schraube dient als feste Klammer, macht aber gleichzeitig eine konventionelle Antriebsbefestigung überflüssig. Dies sorgt für eine wirksame Entkopplung von Antrieb und der vorderen Schallwand und beseitigt eine weitere Resonanzquelle.

HINWEIS: Wenn sich diese Schraube irgendwann lösen sollte oder sich bereits beim Transport gelockert hat, verwenden Sie bitte den mitgelieferten Innensechskant-Schraubendreher, um die Schraube wieder zu befestigen. Hierfür ist nur eine Vierteldrehung erforderlich, nachdem die Schraube angezogen hat.

Garantie

Sowohl die handwerkliche Arbeit als auch die Leistung dieses Produkts kommen mit einer Garantie gegen Produktionsfehler – für einen Zeitraum von **fünf** Jahren ab dem Kaufdatum (vergleichen Sie dazu die unten stehenden Geschäftsbedingungen), vorausgesetzt, das Produkt wurde von einem autorisierten Monitor-Audio-Einzelhändler im Rahmen des Konsumenten-Verkaufsvertrags ausgeliefert.

Um Ihre Hersteller-Garantie zu prüfen, rufen Sie bitte das Online-Anmeldeformular auf: **monitoraudio.com**

Eigentümerinformationen

Produktangaben

Modell: _____

Produkt-Seriennummer: _____

Verstärkerfeld-Seriennummer: _____

Kaufdatum: _____

Händlerinformationen

Händlername: _____

Adresse: _____

Postleitzahl: _____

E-Mail-Adresse: _____

Monitor Audio behält sich das Recht vor, die technischen Daten ohne vorherige Ankündigung zu ändern.

Technische Daten

MODELL	Silver 50	Silver 100	Silver 200	Silver 300	Silver 500	Silver C150	Silver C350	Silver-FX
Systemformat	Zweibeige	Zweibeige	Zweibeinhalbbeige	Dreibeige	Dreibeige	Zweibeinhalbbeige	Dreibeige	Zweibeige
Frequenzbereich (-6 dB)	52 Hz – 35 kHz	40 Hz – 35 kHz	38 Hz – 35 kHz	32 Hz – 35 kHz	30 Hz – 35 kHz	52 Hz – 35 kHz	40 Hz – 35 kHz	60 Hz – 35 kHz
Empfindlichkeit (1 W bei 1 M)	87 dB	88 dB	89 dB	90 dB	90 dB	90 dB	90 dB	87 dB
Nennimpedanz	8 Ohm	8 Ohm	8 Ohm	8 Ohm	8 Ohm	8 Ohm	8 Ohm	8 Ohm
Mindestimpedanz	4,1 Ohm bei 220 Hz	4,5 Ohm bei 167 Hz	4,7 Ohm bei 182 Hz	3,5 Ohm bei 146 Hz	3,1 Ohm bei 2,45 kHz	3,7 Ohm bei 193 Hz	3,2 Ohm bei 176 Hz	4,0 Ohm bei 229 Hz
Maximaler Schalldruckpegel (RMS) in Watt	110 dBA (Paar)	112 dBA (Paar)	114 dBA (Paar)	116 dBA (Paar)	117 dBA (Paar)	112 dBA	113 dBA	110 dBA (Paar)
Leistungsfähigkeit (RMS) in Watt	100 W	120 W	150 W	200 W	250 W	150 W	200 W	85 W
Empfohlene Verstärkeranordnungen (RMS)	40 – 100 W	40 – 120 W	60 – 150 W	80 – 200 W	80 – 250 W	60 – 150 W	80 – 200 W	30 – 85 W
Bassanpassung	Bassreflex. HiVe-II-Anschlussystem	Bassreflex. HiVe-II-Anschlussystem	Zweikammer-Bassreflex mit Differenzialabstimmung. Doppel-HiVe-Anschlussystem	Bassreflex Doppel-HiVe-II-Anschlussystem	Bassreflex Doppel-HiVe-II-Anschlussystem	Versiegeltes Gehäuse	Versiegeltes Gehäuse	Versiegeltes Gehäuse
Übergangsfrequenz	3,0 kHz	2,8 kHz	N.F./M.F.: 2,9 kHz M.F./H.F.: 2,9 kHz	N.F./M.F.: 570 Hz M.F./H.F.: 3,5 kHz	N.F./M.F.: 625 Hz M.F./H.F.: 3,1 kHz	N.F. 650 Hz M.F./H.F.: 3,1 kHz	N.F/M.F.: 830 Hz M.F./H.F.: 3,2 kHz	2,5 kHz
Ergänzung der Antriebseinheit	1 x 5 1/4" (133 mm) RST-Tief-/Mitteltöner 1 x 1" (25 mm) C-CAM-Gold-Kalottenhochtoner	1 x 8" (203 mm) RST-Tief-/Mitteltöner 1 x 1" (25 mm) C-CAM-Gold-Kalottenhochtoner	1 x 5 1/4" (133 mm) RST-Tief-/Mitteltöner 1 x 1" (25 mm) C-CAM-Gold-Kalottenhochtoner	2x 6" (152 mm) RST-Tieföner 4" (101 mm) RST-Mitteltöner 1 x 1" (25 mm) C-CAM-Gold-Kalottenhochtoner	2x 8" (203 mm) RST-Tieföner 1 x 4" (101 mm) RST-Mitteltöner 1 x 1" (25 mm) C-CAM-Gold-Kalottenhochtoner	2 x 5 1/4" (133 mm) RST-Tief-/Mitteltöner 1 x 1" (25 mm) C-CAM-Gold-Kalottenhochtoner	2x 6" (152 mm) RST-Tieföner 1 x 4" (103 mm) RST-Mitteltöner 1" (25 mm) Gold-C-CAM-Hochtöner	1 x 6" (203 mm) RST-Tief-/Mitteltöner 2 x 1" (25 mm) C-CAM-Gold-Kalottenhochtoner
Gehäuseabmessungen (ausgenommen Gitter, Anschlüsse und Auslegerplatten) (H x B x T)	270 x 165 x 240 mm 10,56 x 6,12 x 9,716 Zoll	375 x 230 x 300 mm 14,34 x 9,116 x 11,916 Zoll	885 x 165 x 240 mm 34,196 x 6,12 x 9,716 Zoll	1000 x 185 x 300 mm 39,36 x 7,916 x 11,916 Zoll	1050 x 230 x 300 mm 41,516 x 9,116 x 11,916 Zoll	165 x 450 x 200 mm 6,12 x 17,116 x 7,76 Zoll	235 x 560 x 240 mm 9,14 x 22,116 x 9,716 Zoll	250 x 310 x 130 mm 9,196 x 12,316 x 5,167 Zoll
Gehäuseabmessungen (einschließlich Gitter und Anschlüsse) (H x B x T)	270 x 165 x 269 mm 10,36 x 6,12 x 10,316 Zoll	375 x 230 x 329 mm 14,34 x 9,116 x 12,116 Zoll	885 x 165 x 269 mm 34,196 x 6,12 x 10,316 Zoll	1000 x 185 x 329 mm 39,36 x 7,916 x 12,116 Zoll	1050 x 230 x 329 mm 41,516 x 9,116 x 12,116 Zoll	165 x 450 x 229 mm 6,12 x 17,116 x 9,116 Zoll	235 x 560 x 270 mm 9,14 x 22,116 x 10,316 Zoll	250 x 322 x 147 mm 9,196 x 12,116 x 5,167 Zoll
Außenabmessungen (einschließlich Auslegerplatten und Füße+Stifte) (H x B x T)	N/A	N/A	918 x 232 x 307 mm 36,16 x 9,16 x 12,116 Zoll	1034 x 252 x 367 mm 40,116 x 9,916 x 14,716 Zoll	1083 x 297 x 367 mm 42,58 x 11,116 x 14,716 Zoll	N/A	N/A	N/A
Gewicht (pro Gerät)	6 kg	9,3 kg	14,6 kg	20 kg	22,8 kg	9,1 kg	14,9 kg	4,3 kg

Presentación	34
Puntas y pies	35
Para suelos enmoquetados	35
Para suelos duros/de madera	35
Colocación	35
Posicionamiento para 2 canales	35
Posicionamiento audiovisual	36
Colocación de los Silver FX	36
Atmos	37
Fijación de los Silver FX a una pared	37
Cableado sencillo	38
Cableado doble	38
Amplificación doble	38
Los efectos del cableado / amplificación doble	39
Tapones de puertos	39
Rodaje de sus altavoces	40
Ajuste del perno de retención	40
Garantía	40
Información del usuario	40
Especificaciones	41

Presentación

La aclamada serie Silver ha llegado a su sexta generación y lo hace renovando su diseño en toda la gama. Cada modelo se ha diseñado a la medida de los deseos de los melómanos y aficionados al cine, y lleva el sonido a un nuevo nivel. Ahora, dos nuevos altavoces centrales permiten montar sistemas de cine en casa potentes y de gran tamaño, o soluciones discretas y elegantes. Los modelos Silver 50 y Silver 200 son más compactos y se integran con elegancia en cualquier hogar actual, sin renunciar a la calidad de sonido que cabría esperar de altavoces mucho mayores. Los Silver 50 y Silver 200 se pueden combinar con el altavoz central Silver C150, de tamaño compacto, para crear un sonido perfectamente adaptado y un sistema multicanal de alto rendimiento que encaja con discreción en cualquier ambiente. El altavoz central Silver C350 permite crear un sistema de cine en casa de alto rendimiento a partir de los modelos Silver 100, Silver 300 o Silver 500.

Puntas y pies



Los acabados seleccionados se suministran con una junta de espuma en el estabilizador, asegúrese de que este lado se coloca en el gabinete.

Para suelos duros/de madera

(Solo Silver 200, 300 y 500)

Los pies y estabilizadores se suministran ya montados para suelos no enmoquetados, de madera o duros, o para cuando no sea recomendable usar puntas. Solo necesita fijarlos a la base del altavoz con los pernos suministrados (A y B).

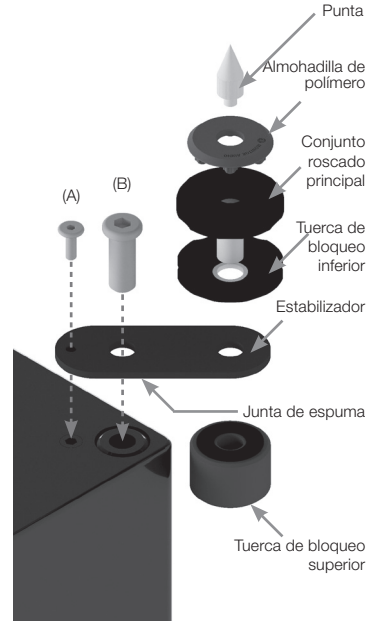
Para comprobar si el altavoz está nivelado en todos los lados, utilice el nivel. Si hay algo de desnivel, desenrosque el pie de la parte más baja y compruebe de nuevo. Repita este proceso hasta que la caja acústica esté nivelada. Use las tuercas de bloqueo de los pies para sujetarlos en su sitio y para evitar que se produzcan vibraciones no deseadas.

Para suelos enmoquetados

(Solo Silver 200, 300 y 500)

Si el altavoz se va a instalar en un suelo enmoquetado, enrosque la punta en el conjunto de pie y estabilizador. Fíjelos a la base del altavoz con los pernos suministrados (A y B).

Para comprobar si el altavoz está nivelado en todos los lados, utilice un nivel. Si hay algo de desnivel, desenrosque el pie de la parte más baja y compruebe de nuevo. Repita este proceso hasta que la caja acústica esté nivelada. Use las tuercas de bloqueo de los pies para sujetarlos en su sitio y para evitar que se produzcan vibraciones no deseadas.



Asegúrese de que por debajo de la moqueta no pasen cables que las puntas pudieran dañar.

Colocación

Posicionamiento para 2 canales

Si se va a usar en un sistema de 2 canales, la posición de escucha y los altavoces deben formar un triángulo equilátero. Coloque los altavoces con una separación de entre 1,8 y 3 m aproximadamente. La distancia ideal desde la pared trasera varía en función del altavoz (consulte la lista a continuación); sin embargo, los altavoces tienen que estar al menos a 91 cm de las paredes laterales.

- Silver 50 15 - 30 cm
- Silver 100 y 200 20 - 36 cm
- Silver 300 y Silver 500 30 - 61 cm

NOTA: Estas son las distancias recomendadas para conseguir unos resultados óptimos. Los resultados reales variarán en función de la construcción y tamaño de la sala.

Se recomienda encarecidamente experimentar al colocar unos altavoces por primera vez, ya que el entorno y las preferencias del usuario difieren de una instalación a otra. Si, por ejemplo, los graves se oyen poco, pruebe a acercar los altavoces a la pared. Lo contrario se recomienda si hay exceso de graves. Consulte también la información de la página 39 relativa a los tapones de puertos. Si se pierde imagen estéreo, pruebe a cambiar ligeramente la orientación de los altavoces respecto al oyente. Debe parecer que el sonido se origina en un punto central entre los altavoces, no en los propios altavoces.

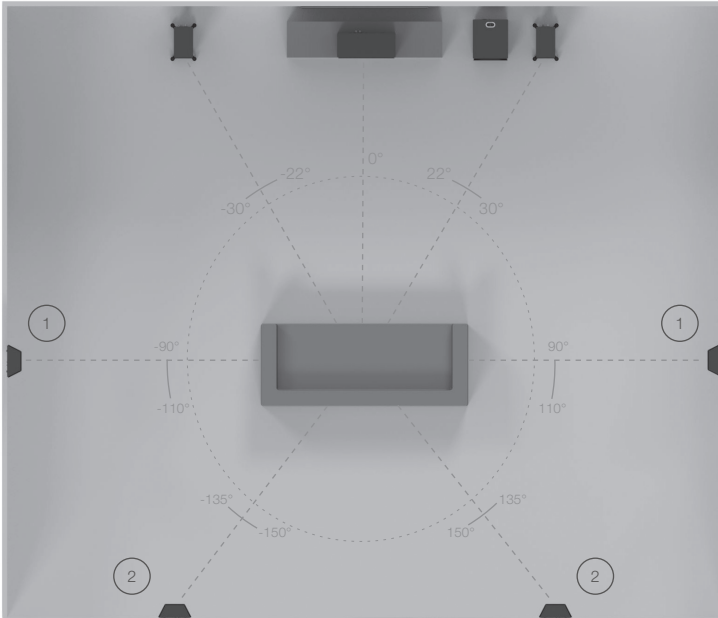
Posicionamiento audiovisual

Consulte las figuras siguientes para ver los ángulos y las posiciones ideales de cada altavoz de su sistema surround. La distancia entre los altavoces y la pared depende de los requisitos del altavoz, que puede consultar en el apartado Posicionamiento para 2 canales (página 35).

Si los graves suenan demasiado fuertes o la habitación retumba al reproducir música (sin subwoofer), pruebe a alejar ligeramente los altavoces de las paredes. Si no es posible, pruebe con los tapones de puertos suministrados. En un sistema con subwoofer, pruebe a cambiar los ajustes de la frecuencia de separación (crossover) de los altavoces o el subwoofer, o a cambiar de posición el subwoofer.

El altavoz de canal central Silver debe colocarse apuntando a la posición habitual del espectador, a una altura cercana a la del oído.

NOTA: Las imágenes siguientes solo sirven como meros ejemplos. Si utiliza los Silver FX, consulte la página 36.



1. Altavoces surround laterales

2. Altavoces surround traseros

Un sistema surround 7.1 utilizará altavoces laterales (posición 1) y traseros (posición 2) para crear un escenario sonoro de 360°; si va a configurar un sistema 5.1, puede colocar los altavoces surround en la posición (1) o (2).

Colocación de los Silver FX

Los Silver FX permiten elegir entre funcionamiento dipolar o bipolar. En modo bipolar, el altavoz y las unidades de agudos están en fase. En modo dipolar, una de las unidades de agudos está desfasada respecto a la otra y el altavoz principal, para crear el sonido difuminado. Los altavoces FX se deben montar en la pared a una altura de unos 60 cm del oído.

Conmutador de modo dipolar/bipolar: Si el altavoz es parte de un sistema 5.1 y hace de altavoz trasero, ponga el conmutador en modo bipolar. Pero no hay ningún problema en probar y experimentar con el modo dipolar.

Si el altavoz es parte de un sistema 7.1 con un par de FX, ponga el conmutador en modo dipolar. Si utiliza dos pares de FX para los efectos laterales y traseros, póngalos todos en modo dipolar e intercambie los altavoces FX laterales derecho e izquierdo, manteniendo los FX traseros en su lado (combinando el altavoz izquierdo y el derecho con los canales delanteros izquierdo y derecho), tal y como se muestra en la página 37.



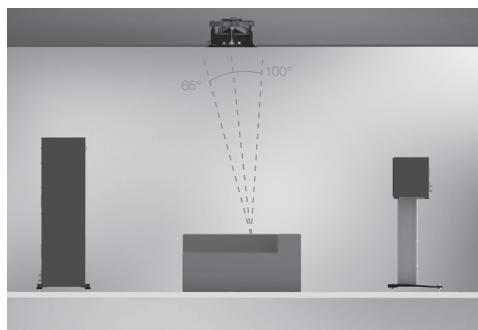
NOTA: Antes de ajustar un conmutador, compruebe que el amplificador está, como mínimo, apagado. De esta forma, protegerá el amplificador.



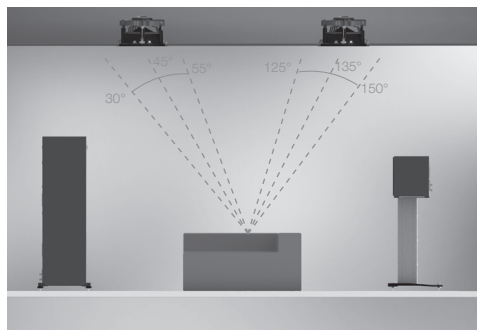
Atmos

Al configurar un sistema Atmos, le recomendamos usar los altavoces C265-IDC o CPCT380-IDC para los canales Atmos. Estos altavoces emplean un módulo de unidad de agudos/medios giratorio y exclusivo Inverted Dual Concentric (IDC), que ofrece más características de dispersión y que es idóneo para Atmos. Puede encontrar más información sobre los C265-IDC y CPCT380-IDC en nuestro sitio web: monitoraudio.com.

A continuación puede ver cuál es la posición idónea en las instalaciones con 2 o 4 altavoces.



2 altavoces Atmos (paralelos al izquierdo y derecho delanteros)



4 altavoces Atmos (paralelos al izquierdo y derecho delanteros)

Fijación de los Silver FX a una pared



PRECAUCIÓN: Decida dónde irán fijados los Silver FX y cuál es la estructura de la pared. Por razones de seguridad, si no está seguro de poder proporcionarles una sujeción segura, no intente fijar los altavoces por su cuenta. En lugar de ello, contrate los servicios de un profesional cualificado.



PRECAUCIÓN: Asegúrese de que no pasen tuberías de agua ni cables de electricidad donde se vaya a fijar la placa de pared. Realice el procedimiento con seguridad y no deje cables sueltos.



NOTA: No se suministran tornillos para fijación en pared ni tapones con los Silver FX. Utilice solamente fijaciones adecuadas para el tipo de pared donde se colocarán los Silver FX.

Los Silver FX tienen fijados a la caja soportes ranurados para el montaje en pared. No se suministran tornillos para fijación en pared ni tapones con los FX. Use fijaciones adecuadas para el tipo de pared donde se colocarán los FX.

Para fijar los FX a la pared, recomendamos el uso de la plantilla de fijación incluida dentro de la caja de cartón del embalaje.

Cableado

Cableado sencillo

Para el cableado sencillo, conecte un único juego de cables a los terminales situados en la parte posterior del altavoz. Internamente, la separación del altavoz guía las frecuencias hasta la unidad de agudos o el altavoz adecuados. Las frecuencias bajas a la unidad de graves; las medias, a la unidad de medios/graves; y las altas frecuencias, a la unidad de agudos.

Es perfectamente aceptable conectar a los terminales superiores, a los inferiores, o incluso diagonalmente (se aconseja realizar pruebas para lograr los resultados deseados).



NOTA: Al utilizar este método, las uniones de los terminales deben permanecer en su sitio.

Cableado doble

El cableado doble se realiza conectando dos pares de cables a los terminales del altavoz desde un par sencillo de conexiones en el amplificador. En la serie Silver, los terminales inferiores se conectan a la unidad (o unidades) de graves, y los terminales superiores se conectan a la unidad de agudos de altavoces de 2 vías, o a la unidad de medios y la de agudos de altavoces de 2,5 y 3 vías.



NOTA: Al utilizar este método, es OBLIGATORIO quitar las uniones de los terminales.

Amplificación doble

La amplificación doble es lo mismo que el cableado doble, con la salvedad de que se añade a la ecuación un segundo amplificador.

Para realizar una amplificación doble, debe conectar un juego de cables de altavoz a los terminales superiores de un amplificador, y los terminales inferiores del segundo amplificador con otro juego de cables de altavoz.



NOTA: Al utilizar este cableado, es OBLIGATORIO quitar las uniones de los terminales.

Los efectos del cableado / amplificación doble

Fundamentalmente, la frecuencia de separación o crossover de un altavoz varía la impedancia del altavoz y el amplificador de potencia. La situación es tal que cuando se aplica la señal musical de rango completo a los terminales de un sistema de altavoces de rango completo, las unidades de graves solo recibirán señales de baja frecuencia, la unidad de medios recibe las señales de frecuencia de medios, y la unidad de agudos solo recibe las señales de alta frecuencia enviadas. De esta manera, si se conectan cables de altavoz independientes a los terminales de baja frecuencia y de alta frecuencia, no solo se tienen las unidades y las frecuencias dirigidas y divididas hacia ellos, sino que los dos cables de altavoz independientes ahora también transportarán señales diferentes: el cable de bajos principalmente los bajos y el cable de la unidad de agudos, los altos.

Cuando las altas y bajas frecuencias se han separado de esta forma, los fuertes picos y los impulsos de corriente que requieren las unidades de graves para reproducir graves o percusión no afectarán a los sonidos delicados de una flauta o de los platillos.

En un sistema de cableado sencillo, las resonancias mecánicas y eléctricas no deseadas se manifiestan en forma de distorsión en ambos conjuntos de terminales de altavoces. Debido a la impedancia de los cables de los altavoces, el amplificador no cancela en su totalidad estas distorsiones. En lugar de ello, las distorsiones se modulan entre las dos frecuencias de separación o crossovers y degradan la calidad del sonido. Al realizar el cableado doble, esta interacción queda minimizada, ya que la distorsión de la señal es «percibida» en la salida del amplificador, donde se puede cancelar de forma más efectiva. Por lo tanto, el cableado o amplificación doble ofrece una señal «más limpia» en los terminales de los altavoces tanto de alta como de baja frecuencia, y dado que las frecuencias altas y bajas ya han sido separadas, cada una de ellas apenas afecta a la otra. Básicamente: los graves no dominan a los delicados agudos.

En lo que respecta al beneficio audible, el cableado o amplificación doble proporciona más claridad y detalle a frecuencias de gamas medias y altas. A menudo los graves serán más rápidos y potentes. El enfoque y la puesta en escena también mejorarán. En resumen, se trata de una mejora muy eficaz y conveniente, y Monitor Audio la recomienda encarecidamente.

Tapones de puertos



ADVERTENCIA: Hay que tener cuidado de no meter los tapones demasiado en los puertos, ya que el tapón de espuma podría perderse dentro de la caja acústica.

Si el altavoz se va a instalar en una habitación pequeña, normalmente de 9 m², o en una habitación donde se sepa que se produce una respuesta de los graves acentuada, es aconsejable usar los tapones. No obstante, antes se recomienda experimentar y probar a colocar el altavoz en distintas posiciones. Para optimizar el rendimiento del altavoz, es importante asegurarse de que los altavoces no están colocados demasiado cerca de una pared o de las esquinas de una habitación.

Si la posición de los altavoces está predeterminada por el aspecto o la distribución de la sala, si experimenta graves acentuados o determina que los altavoces van a estar muy cerca (a menos de las distancias recomendadas en la página 35) de una pared trasera (como en una estantería, en un mueble o en un soporte de pie cerca de una pared), recomendamos poner los tapones en los puertos. Así se reducirá el «retumbo» de los graves, a veces llamado realce, y contribuirá a que los altavoces rindan mejor en estas condiciones. El «retumbo» se produce generalmente cuando la energía de los graves del altavoz «excita» los modos de la habitación y causa una acentuación a una frecuencia o número de frecuencias concretas.

Al poner tapones en los puertos, la extensión general de los graves no se reduce, pero sí la salida/energía de los graves en torno a la frecuencia de sintonización del puerto. Esto hace que los graves retumben menos al tiempo que resultan más claros y parecen más ágiles.

En cualquier caso, se recomienda encarecidamente realizar pruebas.

Rodaje de sus altavoces

Para hacer el rodaje de los altavoces, reproduzca cualquier música normal a un nivel de volumen bajo-medio entre 50 y 70 horas. Puede que observe cómo el sonido sigue mejorando incluso pasadas las 70 horas.

Esto puede suceder de forma natural con el paso del tiempo: como con los buenos vinos, el sonido mejora con la edad.

Otra opción es hacer el rodaje continuo en bucle. Coloque los altavoces enfrentados entre sí y oriente directamente las unidades/unidades de agudos lo más cerca posible para reducir el volumen audible. A continuación, conecte el amplificador a los altavoces, para que uno sea positivo a positivo y negativo a negativo (rojo con rojo y negro con negro) y el otro quede fuera de fase: entradas positivo a negativo y negativo a positivo del altavoz.

Ajuste del perno de retención

A fin de reducir la coloración de la caja acústica, la nueva serie Silver sigue fijando las unidades con un perno. Cada perno actúa como anclaje rígido, pero también elimina la necesidad de fijaciones convencionales, logrando separar la unidad y el baffle frontal y suprimir así otra fuente de resonancia.

NOTA: Si este perno acabara aflojándose con el tiempo, o si lo ha hecho durante el transporte, utilice la llave hexagonal suministrada para volver a apretarlo. Solo tiene que apretarse un cuarto de vuelta una vez que el perno comience a ofrecer resistencia.

Garantía

Tanto la mano de obra como el funcionamiento del producto están cubiertos por la garantía en lo que respecta a defectos de fabricación durante **cinco** (5) años a partir de la fecha de compra (consulte las condiciones en el manual «Instrucciones importantes de seguridad»), siempre que el producto lo suministrara un distribuidor autorizado de Monitor Audio conforme al contrato de venta para cliente final.

Para comprobar la garantía del fabricante, visite el formulario de registro en línea en: **monitoraudio.com**.

Información del usuario

Información del producto

Modelo: _____

N.º de serie del producto: _____

N.º de serie del panel del amplificador: _____

Fecha de compra: _____

Detalles del distribuidor

Nombre del distribuidor: _____

Dirección: _____

Código postal: _____

Correo electrónico: _____

Monitor Audio se reserva el derecho a modificar las especificaciones sin aviso previo.

Especificaciones

MODELO	Silver 50	Silver 100	Silver 200	Silver 300	Silver 500	Silver C150	Silver C350	Silver FX	
Configuración del sistema	2 vías	2 vías	2 ½ vías	3 vías	3 vías	2 ½ vías	3 vías	2 vías	
Respuesta de frecuencia (-6 dB)	52 Hz - 35 kHz	40 Hz - 35 kHz	38 Hz - 35 kHz	32 Hz - 35 kHz	30 Hz - 35 kHz	52 Hz - 35 kHz	40 Hz - 35 kHz	60 Hz - 35 kHz	
Sensibilidad (1 W a 1 m)	87 dB	88 dB	89 dB	90 dB	90 dB	90 dB	90 dB	87 dB	
Impedancia nominal	8 ohmios	8 ohmios	8 ohmios	8 ohmios	8 ohmios	8 ohmios	8 ohmios	8 ohmios	
Impedancia mínima	4,1 ohmios a 220 Hz	4,5 ohmios a 167 Hz	4,7 ohmios a 182 Hz	3,5 ohmios a 146 Hz	3,1 ohmios a 2,45 kHz	3,7 ohmios a 193 Hz	3,2 ohmios a 176 Hz	4,0 ohmios a 229 Hz	
Nivel de presión sonora máxima	110 dBA (par)	112 dBA (par)	114 dBA (par)	116 dBA (par)	117 dBA (par)	112 dBA	113 dBA	110 dBA (par)	
Potencia R.M.S (en vatios recomendados (R.M.S))	100 W	120 W	150 W	200 W	250 W	150 W	200 W	85 W	
Requisitos de amplificador recomendados (R.M.S)	40 – 100 W	40 – 120 W	60 – 150 W	80 – 200 W	80 – 200 W	60 - 150 W	80 – 200 W	30 – 85 W	
Alineación de graves	Bass Reflex. Sistema de puertos HiVe II	Bass Reflex. Sistema de puertos HiVe II	Bass Reflex. Sistema de puertos HiVe II doble	Bass Reflex. Sistema de puertos HiVe II doble	Bass Reflex. Sistema de puertos HiVe II doble	Caja acústica hermética	Caja acústica hermética	Caja acústica hermética	
Frecuencia de separación (crossover)	3,0 kHz	2,8 kHz	F. bajas: 700 Hz F. medias/altas: 2,9 kHz	F. bajas: 570 Hz F. medias/altas: 3,5 kHz	F. bajas/medias: 625 Hz F. medias/altas: 3,1 kHz	F. bajas 650 Hz F. medias/altas: 3,1 kHz	F. bajas/medias: 830 Hz F. medias/altas: 3,2 kHz	2,5 kHz	
Complementos del altavoz	1 unidad de graves/gamas medias de 5" con RST 1 unidad de graves/gamas medias de 5" con RST 1 unidad de agudos de cúpula dorada de 25 mm	1 unidad de graves/gamas medias de 5" con RST 1 unidad de graves/gamas medias de 5" con RST 1 unidad de agudos C-CAM de cúpula dorada de 25 mm	1 unidad de graves/gamas medias de 6" con RST 1 unidad de graves/gamas medias de 4" con RST 1 unidad de agudos C-CAM de cúpula dorada de 25 mm	2 unidades de graves/gamas medias de 6" con RST 1 unidad de graves/gamas medias de 4" con RST 1 unidad de agudos C-CAM de cúpula dorada de 25 mm	2 unidades de graves/gamas medias de 8" con RST 1 unidad de graves/gamas medias de 4" con RST 1 unidad de agudos C-CAM de cúpula dorada de 25 mm	2 unidades de graves/gamas medias de 5" con RST 1 unidad de agudos C-CAM de cúpula dorada de 25 mm	2 unidades de graves/gamas medias de 6" con RST 1 unidad de graves/gamas medias de 4" con RST 1 unidad de agudos C-CAM de cúpula dorada de 25 mm	1 unidad de graves/gamas medias de 6" con RST 2 unidades de agudos C-CAM de cúpula dorada de 25 mm	1 unidad de graves/gamas medias de 6" con RST 2 unidades de agudos C-CAM de cúpula dorada de 25 mm
Dimensiones de caja acústica (sin incluir rejilla, terminales ni placas estabilizadoras) (Al x An x P)	270 x 165 x 240 mm 10 ^{3/8} x 6 ^{1/2} x 9 ^{1/16} pulgadas	375 x 230 x 300 mm 14 ^{3/4} x 9 ^{1/16} x 11 ^{15/16} pulgadas	865 x 165 x 240 mm 34 ^{13/16} x 6 ^{1/2} x 9 ^{1/16} pulgadas	1000 x 185 x 300 mm 39 ^{3/8} x 7 ^{3/16} x 11 ^{15/16} pulgadas	1050 x 230 x 300 mm 41 ^{21/16} x 9 ^{1/16} x 11 ^{15/16} pulgadas	165 x 450 x 200 mm 6 ^{1/2} x 17 ^{1/16} x 7 ^{7/16} pulgadas	235 x 560 x 240 mm 9 ^{1/4} x 22 ^{11/16} x 9 ^{7/16} pulgadas	250 x 310 x 130 mm 9 ^{13/16} x 12 ^{21/16} x 5 ^{1/16} pulgadas	250 x 322 x 147 mm 9 ^{13/16} x 12 ^{11/16} x 5 ^{13/16} pulgadas
Dimensiones externas (incluyendo rejillas y terminales) (Al x An x P)	270 x 165 x 269 mm 10 ^{5/8} x 6 ^{1/2} x 10 ^{9/16} pulgadas	375 x 230 x 329 mm 14 ^{3/4} x 9 ^{1/16} x 12 ^{15/16} pulgadas	885 x 165 x 269 mm 34 ^{13/16} x 6 ^{1/2} x 10 ^{9/16} pulgadas	1000 x 185 x 329 mm 39 ^{3/8} x 7 ^{3/16} x 12 ^{15/16} pulgadas	1050 x 230 x 329 mm 41 ^{21/16} x 9 ^{1/16} x 12 ^{15/16} pulgadas	165 x 450 x 229 mm 6 ^{1/2} x 17 ^{1/16} x 9 pulgadas	235 x 560 x 270 mm 9 ^{1/4} x 22 ^{11/16} x 10 ^{5/8} pulgadas	250 x 322 x 147 mm 9 ^{13/16} x 12 ^{11/16} x 5 ^{13/16} pulgadas	250 x 322 x 147 mm 9 ^{13/16} x 12 ^{11/16} x 5 ^{13/16} pulgadas
Dimensiones externas (con placas estabilizadoras y pie-espumas) (Al x An x P)	No disp.	No disp.	918 x 232 x 307 mm 36 ^{1/8} x 9 ^{1/16} x 12 ^{1/16} pulgadas	1034 x 252 x 367 mm 40 ^{11/16} x 9 ^{15/16} x 14 ^{1/16} pulgadas	1083 x 297 x 367 mm 42 ^{5/8} x 11 ^{11/16} x 14 ^{1/16} pulgadas	No disp.	No disp.	No disp.	No disp.
Peso (cada uno)	6 kg	9,3 kg	14,6 kg	20 kg	22,8 kg	9,1 kg	14,9 kg	4,3 kg	4,3 kg

Introdução	42
Espigões e pés	43
Para chãos alcatifados	43
Para chãos de madeira/duros	43
Configuração	43
Posicionamento de 2 canais	43
Posicionamento de AV	44
Configurar o Silver FX	44
Atmos	45
Fixar o Silver FX a uma parede	45
Cablagem	46
Cablagem simples	46
Cablagem dupla	46
Biamplicação	46
Os efeitos da cablagem dupla e biamplicação	47
Tampões das portas	47
Funcionamento inicial dos altifalantes	48
Ajuste do parafuso de retenção	48
Garantia	48
Informações do proprietário	48
Especificações	49

Introdução

Apresentamos a sexta geração da respeitada Série Silver, caracterizada por um design inovador em toda a gama. Todos os modelos foram desenvolvidos de modo a satisfazer tanto os audiófilos como os entusiastas do cinema em casa, elevando o desempenho a um novo nível. Dois novos altifalantes centrais tornam agora possível configurar sistemas de cinema em casa elegantes e discretos ou grandes e potentes. Os modelos Silver 50 e Silver 200 são mais compactos, constituindo uma proposta mais atrativa para os espaços modernos, mas fornecendo o mesmo tipo de desempenho que se espera de altifalantes de maiores dimensões. O Silver 50 e o Silver 200 podem ser combinados com o altifalante central compacto Silver C150, formando um sistema multicanal de alto desempenho compacto, discreto e tonalmente harmonioso. O altifalante central Silver C350 permite agora criar um sistema de cinema em casa sem concessões, com base nos modelos Silver 100, Silver 300 ou Silver 500.

Espigões e pés



Os acabamentos selecionados são fornecidos com uma junta de espuma no distribuidor externo, verifique se este lado está colocado no gabinete.

Para chãos de madeira/duros

(apenas Silver 200, 300 e 500)

Os pés e extensores laterais são fornecidos montados para utilização em chão não alcatifado, de madeira ou duro ou quando os espigões não forem apropriados. Basta fixá-los à base do altifalante utilizando os parafusos fornecidos (A e B).

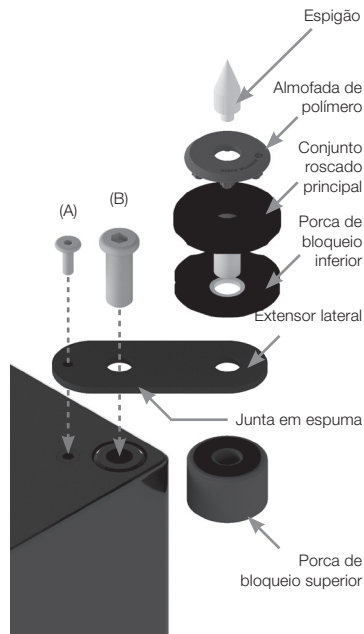
Pode verificar se o altifalante está nivelado em todos os lados utilizando um nível de bolha. Se estiver ligeiramente desnivelado, desaparafuse o pé no ponto mais baixo e verifique novamente. Continue este processo até que a caixa esteja completamente nivelada. Utilize as porcas de bloqueio em cada pé para fixá-lo no sítio e evitar quaisquer vibrações indesejáveis.

Para chãos alcatifados

(apenas Silver 200, 300 e 500)

Se o altifalante estiver a ser instalado num chão alcatifado, aparafuse o espigão ao conjunto pé/extensor lateral. Fixe os conjuntos à base do altifalante utilizando os parafusos fornecidos (A e B).

Pode verificar se o altifalante está nivelado em todos os lados utilizando um nível de bolha. Se estiver ligeiramente desnivelado, desaparafuse o pé no ponto mais baixo e verifique novamente. Continue este processo até que a caixa esteja completamente nivelada. Utilize as porcas de bloqueio em cada pé para fixá-lo no sítio e evitar quaisquer vibrações indesejáveis.



Certifique-se de que não há fios escondidos por baixo da alcatifa que possam ser danificados pelos espigões.

Configuração

Posicionamento de 2 canais

Ao configurar um sistema de 2 canais, a posição de audição e os altifalantes devem formar um triângulo equilátero. Os altifalantes devem ser posicionados com cerca de 1,8 a 3 m (6 a 10 pés) de distância entre eles. A distância ideal da parede posterior varia consoante o altifalante (ver a lista abaixo). No entanto, os altifalantes necessitam de estar a uma distância mínima de 91 cm (3 pés) das paredes laterais.

- Silver 50 15-30 cm (6-12 polegadas)
- Silver 100 e 200 20-36 cm (8-14 polegadas)
- Silver 300 e Silver 500 30-61 cm (12-24 polegadas)

NOTA: estas são as distâncias recomendadas para obter o melhor desempenho. Os resultados reais variam consoante a dimensão e a construção da divisão.

Ao configurar os altifalantes, recomendamos vivamente que faça várias experiências, pois o ambiente e a preferência pessoal diferem em cada instalação. Se não houver graves suficientes, por exemplo, experimente aproximar os altifalantes de uma parede. A abordagem oposta é recomendada se houver um excesso de graves. Consulte também as informações que constam na página 47 referentes aos tampões das portas. Se estiver a perder imagem estéreo, experimente virá-los ligeiramente para dentro. O som deve parecer que provém do ponto central entre os altifalantes e não dos próprios altifalantes.

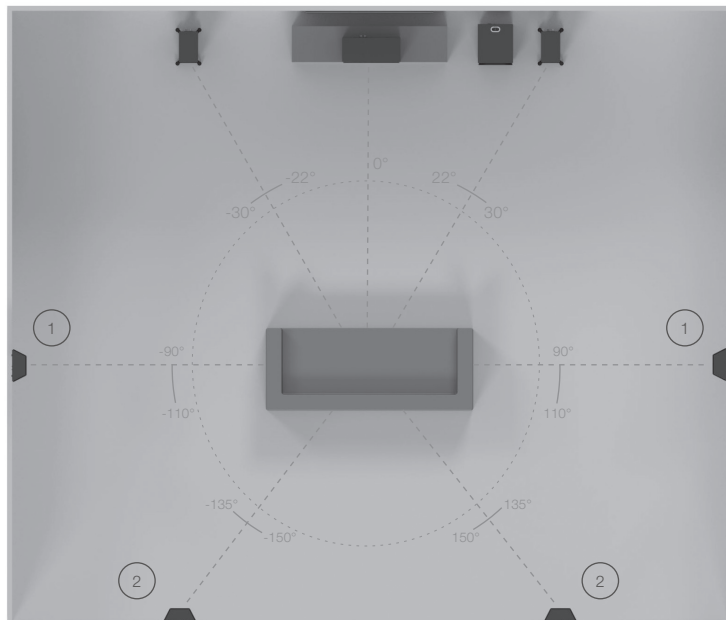
Posicionamento de AV

Verifique nas ilustrações abaixo os ângulos e posições ideais de cada altifalante no seu sistema de surround. Os altifalantes devem estar a uma distância da parede que esteja de acordo com os requisitos do altifalante, indicados na seção Posicionamento de 2 canais (página 43).

Se o som tiver demasiados graves ou se houver um "boom" dos graves vindo da sala ao reproduzir música (sem um subwoofer), experimente afastar os altifalantes da(s) parede(s). Se não for possível, experimente os tampões das portas fornecidos. Num sistema com um subwoofer, experimente ajustar as definições de frequência de transição dos altifalantes e/ou do subwoofer ou mudar a posição do subwoofer.

O altifalante de canal central Silver deve ser posicionado de modo a apontar para a posição de visualização e aproximadamente à altura do ouvido.

NOTA: As imagens abaixo têm fins meramente ilustrativos. Se utilizar o Silver FX, consulte a página 44.



1. Altifalantes surround laterais
2. Altifalantes surround posteriores

Um sistema de surround 7.1 utilizará altifalantes laterais (posição 1) e posteriores (posição 2) para criar um palco sonoro de 360° completo. Se estiver a configurar um sistema 5.1, pode colocar os seus surrounds na posição (1) ou (2).

Configurar o Silver FX

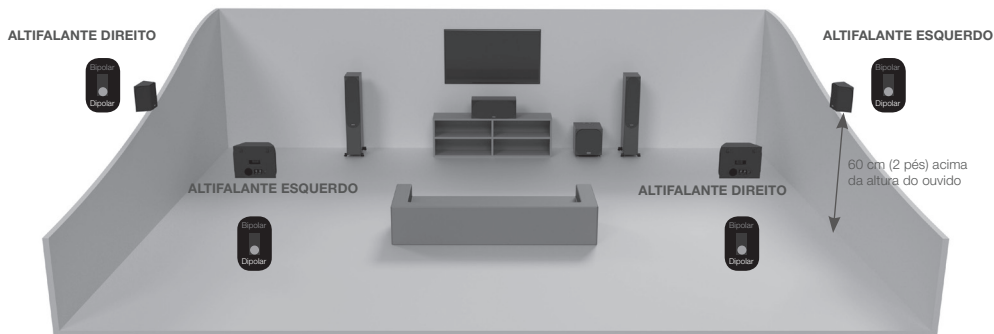
O Silver FX inclui os modos de audição Dipolar ou Bipolar. No modo bipolar, o controlador e os tweeters estão em fase. No modo dipolar, um dos tweeters está fora de fase em relação ao outro tweeter e ao controlador principal para criar um som difuso. Os altifalantes FX devem ser montados na parede a cerca de 60 cm (2 pés) acima da altura do ouvido.

Comutador dipolar/bipolar: Quando integrado em sistemas 5.1 como altifalante posterior, coloque o comutador no modo bipolar. Porém, poderá também experimentar com o comutador no modo dipolar.

Quando integrado num sistema 7.1 com um par de altifalantes FX, coloque o comutador no modo dipolar. Se utilizar dois pares de altifalantes FX para efeitos laterais e posteriores, coloque-os todos no modo dipolar e depois troque os altifalantes FX do lado esquerdo e do lado direito, mantendo os altifalantes FX posteriores na posição correta (fazendo corresponder o esquerdo e o direito aos canais frontais esquerdo e direito), conforme ilustrado na página 45.



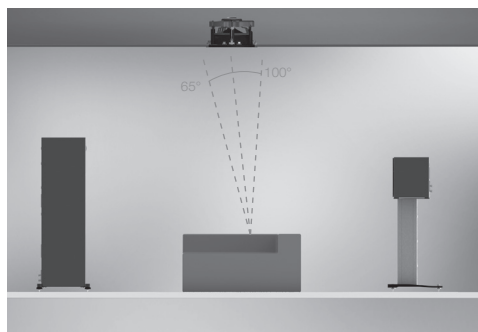
NOTA: antes de ajustar quaisquer comutadores, certifique-se de que o amplificador está desligado. Isto ajudará a proteger o amplificador.



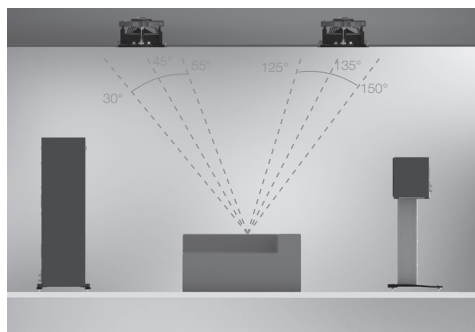
Atmos

Ao configurar um sistema Atmos, é recomendável utilizar os nossos C380-IDC ou CPCT380-IDC para os canais Atmos. Estes altifalantes utilizam um módulo de médios/tweeter IDC (concêntrico duplo invertido) que proporciona uma característica de difusão mais ampla, ideal para as funções do Atmos. Pode encontrar mais informações sobre o C380-IDC e o CPCT380-IDC no nosso website: monitoraudio.com

Consulte abaixo o posicionamento ideal das configurações de 2 ou 4 altifalantes.



2 altifalantes Atmos (em linha com a parte frontal esquerda e direita)



4 altifalantes Atmos (em linha com a parte frontal esquerda e direita)

Fixar o Silver FX a uma parede



CUIDADO: determine sempre onde o Silver FX será fixado e a estrutura da parede. Por motivos de segurança, se não estiver seguro da sua capacidade de fornecer uma fixação segura, não tente fixar estes altifalantes a uma parede. Solicite os serviços de um técnico competente e qualificado.



CUIDADO: certifique-se de que não passam tubos de água ou cabos de eletricidade por trás da posição onde será fixado o suporte de parede. Trabalhe a partir de degraus seguros e evite fios pendurados.



NOTA: não fornecemos parafusos e tomadas de fixação à parede com o Silver FX. Utilize apenas fixações adequadas para o tipo de construção da parede na qual o Silver FX será fixado.

O Silver FX inclui dois suportes com entalhes fixados à caixa. Não fornecemos parafusos e tomadas de fixação à parede com os FX. Utilize fixações adequadas para o tipo de construção da parede na qual o FX será fixado.

Para fixar o FX à parede, recomendamos que utilize o modelo de fixação à parede incluído na caixa da embalagem.

Cablagem

Cablagem simples

A cablagem simples é obtida utilizando um conjunto simples de cabos ligado aos terminais no painel posterior do altifalante. Internamente, a transição do altifalante guia as frequências até ao controlador/tweeter adequado: baixas frequências até aos controladores de graves, frequências médias até aos controladores de médios/graves e altas frequências até ao tweeter.

É perfeitamente aceitável ligar aos terminais superiores, inferiores ou até na diagonal (recomendamos que experimente várias ligações para conseguir os resultados pretendidos).



NOTA: quando utilizar este método, deve manter as ligações dos terminais nas respetivas posições.

Cablagem dupla

A cablagem dupla é obtida ligando pares separados de cabos do altifalante aos terminais do altifalante a partir de um par único de ligações no amplificador. No caso da Série Silver, os terminais inferiores são ligados ao(s) controlador(es) de graves e os terminais superiores são ligados ao tweeter nos altifalantes de 2 vias, ou ao controlador de médios e ao tweeter nos altifalantes de 2,5 e 3 vias.



NOTA: quando utilizar este método, as ligações dos terminais DEVEM ser removidas.

Biamplicação

A biamplicação é o mesmo que cablagem dupla, exceto o facto de se introduzir um segundo amplificador na equação.

Para uma biamplicação, deve ligar um conjunto de cabos do altifalante aos terminais superiores do altifalante a partir de um amplificador e outro conjunto de cabos do altifalante aos terminais inferiores a partir do segundo amplificador.



NOTA: quando utilizar este método, as ligações dos terminais DEVEM ser removidas.

Os efeitos da cablagem dupla e biamplificação

Fundamentalmente, a transição do altifalante varia a impedância vista pelo altifalante e pelo amplificador de alimentação. A situação é tal que, quando o sinal musical de alcance total é aplicado aos terminais de um sistema de altifalante de alcance total, o(s) controlador(es) de graves apenas recebe(m) sinais de baixa frequência, o controlador de médios recebe os sinais de frequência média e o tweeter apenas recebe sinais de alta frequência. Isto significa que, se forem ligados cabos de altifalante separados aos terminais de baixa e de alta frequência, não só as frequências são direcionadas e divididas pelas unidades de controlo, como também os dois cabos de altifalante separados transportam agora sinais diferentes - o cabo de graves principalmente os graves e o tweeter principalmente os agudos.

Quando as frequências altas e baixas são separadas desta forma, os fortes impulsos e picos de corrente exigidos pelos controladores de baixos ao reproduzir baixo ou bateria não irão interagir com os sons delicados de uma flauta ou címbalo.

Num sistema de cablagem simples, ressonâncias mecânicas e elétricas indesejadas manifestam-se como distorção em ambos os conjuntos de terminais do altifalante. Devido à impedância dos cabos do altifalante, estas distorções não serão totalmente canceladas pelo amplificador. Em vez disso, são moduladas entre as duas transições e degradam a qualidade do som. Ao fazer a biamplificação, esta interação é minimizada, visto que a distorção do sinal é "vista" na saída do amplificador, onde pode ser cancelada de forma mais eficaz. Por essa razão, a biamplificação apresenta um sinal "mais limpo" nos terminais de baixa frequência e de alta frequência do altifalante e, visto que as altas e baixas frequências já foram separadas, cada uma delas tem um efeito mínimo na outra; essencialmente, os graves não dominam os agudos delicados.

Em termos de benefício audível, a cablagem dupla/biamplificação fornece mais clareza e detalhe às frequências médias e altas. Frequentemente, os graves tornam-se mais rápidos e mais firmes. A precisão e a encenação também irão melhorar. Em suma, esta é uma melhoria muito eficaz e desejável e é altamente recomendada pela Monitor Audio.

Tampões das portas



ATENÇÃO: deve ter cuidado para não inserir demasiado os tampões nas portas; caso contrário, os tampões de espuma poderão perder-se no interior da caixa.

Se o altifalante for instalado numa sala pequena, normalmente de 9 m² (80 pés²), ou numa sala conhecida por reproduzir uma resposta acentuada dos graves, poderá ser aconselhável instalar tampões das portas. No entanto, recomendamos que experimente vários posicionamentos do altifalante na sala antes de instalar os tampões. Para otimizar o desempenho, é importante garantir que este não está posicionado demasiado perto de uma parede ou perto dos cantos de uma sala.

Se o posicionamento do altifalante for predeterminado pela estética ou disposição da sala, se considerar que os graves estão acentuados, ou quando os altifalantes estiverem posicionados muito perto (a uma distância inferior às sugeridas na página 43) de uma parede posterior (tal como numa prateleira, num armário ou num suporte próximo de uma parede), recomendamos a instalação dos tampões das portas. Isto reduzirá o "boom" dos graves, por vezes referido como ressalto, e ajudará os altifalantes a reproduzirem o seu melhor desempenho nestas condições ambientais. O "boom" geralmente ocorre quando a energia de graves do altifalante "excita" os modos da sala e causa uma acentuação numa determinada frequência, ou número de frequências.

Quando instalar tampões nas portas, a expansão global dos graves não será reduzida, porém a energia/saída dos graves à volta da frequência de sintonização da porta diminuirá. Isto tem o efeito de reduzir o "boom" dos graves, ao mesmo tempo que aumenta a nitidez e a agilidade aparente dos graves.

Em todas as circunstâncias, recomendamos vivamente que experimente vários posicionamentos.

Funcionamento inicial dos altifalantes

Coloque os seus altifalantes em funcionamento reproduzindo música normal a níveis de audição médio-baixo durante aproximadamente 50-70 horas de tempo de reprodução. O som poderá continuar a melhorar mesmo depois das 70 horas.

Este processo pode ser feito naturalmente com o tempo: como um bom vinho que melhora com a idade.

Alternativamente, se pretender utilizar os altifalantes continuamente em ciclo, pode diminuir o volume audível/presença ao colocar os altifalantes frente a frente para que os controladores/tweeters estejam diretamente alinhados e o mais próximos possível. De seguida, ligue o amplificador aos altifalantes de modo que um esteja normal (em fase): positivo com positivo e negativo com negativo (vermelho com vermelho e preto com preto), e o outro altifalante esteja fora de fase: positivo com negativo e negativo com positivo no altifalante.

Ajuste do parafuso de retenção

A nova Série Silver faz a fixação do controlador através de um parafuso simples para reduzir a coloração da caixa. Cada parafuso atua como uma braçadeira rígida, mas também elimina a necessidade de fixações convencionais do controlador, desassociando eficazmente o controlador e o defletor frontal para eliminar uma fonte de ressonância adicional.

NOTA: no caso de este parafuso se soltar com o tempo, ou de se ter soltado durante o transporte, utilize a chave sextavada fornecida para reapertar o parafuso. Basta dar um quarto de volta após a pressão ter sido removida pelo parafuso.

Garantia

A construção e o desempenho deste produto têm garantia contra defeitos de fabrico por um período de **cinco** anos a partir da data de compra (consulte as condições que constam no folheto Instruções importantes de segurança), desde que o produto tenha sido fornecido por um revendedor autorizado da Monitor Audio ao abrigo do contrato de venda ao consumidor.

Para verificar a garantia do fabricante, aceda ao formulário de registo online em: **monitoraudio.com**

Informações do proprietário

Detalhes do produto

Modelo: _____

N.º de série do produto: _____

N.º de série do painel do amplificador: _____

Data de compra: _____

Detalhes do vendedor

Nome do vendedor: _____

Morada: _____

Código postal: _____

Endereço eletrónico: _____

A Monitor Audio reserva-se o direito de alterar as especificações sem aviso.

Especificações

MODELO	Silver 50	Silver 100	Silver 200	Silver 300	Silver 500	Silver C150	Silver C350	Silver FX
Formato do sistema	2 vias	2 vias	2,5 vias	3 vias	3 vias	2,5 vias	3 vias	2 vias
Resposta em frequência (-6 dB)	52 Hz - 35 kHz	40 Hz - 35 kHz	38 Hz - 35 kHz	32 Hz - 35 kHz	30 Hz - 35 kHz	52 Hz - 35 kHz	40 Hz - 35 kHz	60 Hz - 35 kHz
Sensibilidade (1 W a 1 m)	87 dB	88 dB	89 dB	90 dB	90 dB	90 dB	90 dB	87 dB
Impedância nominal	8 ohms	8 ohms	8 ohms	8 ohms	8 ohms	8 ohms	8 ohms	8 ohms
Impedância mínima	4,1 ohms a 220 Hz	4,5 ohms a 167 Hz	4,7 ohms a 182 Hz	3,5 ohms a 146 Hz	3,1 ohms a 2,45 kHz	3,7 ohms a 193 Hz	3,2 ohms a 176 Hz	4,0 ohms a 229 Hz
SPL máximo	110 dBA (par)	112 dBA (par)	114 dBA (par)	116 dBA (par)	117 dBA (par)	112 dBA	113 dBA	110 dBA (par)
Potência de áudio (RMS) em Watts	100 W	120 W	150 W	200 W	250 W	150 W	200 W	85 W
Requisitos recomendados do amplificador (RMS)	40 - 100 W	40 - 120 W	60 - 150 W	80 - 200 W	80 - 250 W	60 - 150 W	80 - 200 W	30 - 85 W
Alinhamento de graves	Reflexão de graves. Sistema de portas Hive II	Reflexão de graves. Sistema de portas Hive II	Reflexão de graves de câmara dupla com sintonização diferencial. Sistema de portas Twin Hive	Reflexão de graves. Sistema de portas Twin Hive II	Reflexão de graves. Sistema de portas Twin Hive II	Caixa fechada	Caixa fechada	Caixa fechada
Frequência de transição	3,0 kHz	2,8 kHz	BF: 700 Hz MF/AF: 2,9 kHz	BF/MF: 570 Hz MF/AF: 3,5 kHz	BF/MF: 625 Hz MF/AF: 3,1 kHz	LF 650 Hz MF/AF: 3,1 kHz	BF/MF: 830 Hz MF/AF: 3,2 kHz	2,5 kHz
Complemento da unidade de controlo	1x controlador de graves/médios RST de 5" (150 mm) 1x tweeter C-CAM de cúpula dourada de 1" (25 mm)	1x controlador de graves/médios RST de 5" (150 mm) 1x tweeter C-CAM de cúpula dourada de 1" (25 mm)	1x controlador de graves RST de 5" (150 mm) 1x controlador de graves/médios RST de 5" (150 mm) 1x tweeter C-CAM de cúpula dourada de 1" (25 mm)	2x controladores de graves RST de 6" média RST de 4" cúpula dourada de 1" (25 mm)	2x controladores de graves RST de 6" média RST de 4" cúpula dourada de 1" (25 mm)	2x controladores de graves/médios RST de 5" 1x tweeter C-CAM de cúpula dourada de 1" (25 mm)	2x controladores de graves RST de 6" 1x controlador de gama média RST de 4" 1x tweeter C-CAM de cúpula dourada de 1" (25 mm)	1x controlador de graves/médios RST de 6" 2x tweeters C-CAM de cúpula dourada de 1" (25 mm)
Dimensões da caixa (excluindo grelha, terminais e extensores laterais) (A x L x P)	270 x 165 x 240 mm 10 ^{3/8} x 6 ^{1/2} x 9 ^{7/16}	375 x 230 x 300 mm 14 ^{3/4} x 9 ^{1/16} x 11 ^{13/16}	885 x 165 x 240 mm 34 ^{13/16} x 6 ^{1/2} x 9 ^{7/16}	1000 x 185 x 300 mm 39 ^{3/8} x 7 ^{5/16} x 11 ^{13/16}	1050 x 230 x 300 mm 41 ^{5/16} x 9 ^{1/16} x 7 ^{7/8}	165 x 450 x 200 mm 6 ^{1/2} x 17 ^{11/16} x 7 ^{7/8}	235 x 560 x 240 mm 9 ^{1/4} x 22 ^{1/16} x 9 ^{7/16}	250 x 310 x 130 mm 9 ^{15/16} x 12 ^{3/16} x 5 ^{1/8}
Dimensões externas (incluindo grelha e terminais) (A x L x P)	270 x 165 x 269 mm 10 ^{3/8} x 6 ^{1/2} x 10 ^{5/16}	375 x 230 x 329 mm 14 ^{3/4} x 9 ^{1/16} x 12 ^{15/16}	885 x 165 x 269 mm 34 ^{13/16} x 6 ^{1/2} x 10 ^{5/16}	1000 x 185 x 329 mm 39 ^{3/8} x 7 ^{5/16} x 12 ^{15/16}	1050 x 230 x 329 mm 41 ^{5/16} x 9 ^{1/16} x 12 ^{15/16}	165 x 450 x 229 mm 6 ^{1/2} x 17 ^{11/16} x 9"	235 x 560 x 270 mm 9 ^{1/4} x 22 ^{1/16} x 10 ^{5/8}	250 x 322 x 147 mm 9 ^{15/16} x 12 ^{11/16} x 5 ^{13/16}
Dimensões externas (incluindo extensores laterais e pés + espigões) (A x L x P)	N/D	N/D	918 x 232 x 307 mm 36 ^{1/8} x 9 ^{7/8} x 12 ^{1/16}	1034 x 252 x 367 mm 40 ^{11/16} x 9 ^{15/16} x 14 ^{7/16}	1083 x 297 x 367 mm 42 ^{5/8} x 11 ^{11/16} x 14 ^{7/16}	N/D	N/D	N/D
Peso (cada)	6 kg	9,3 kg	14,6 kg	20 kg	22,8 kg	9,1 kg	14,9 kg	4,3 kg

Inhoud

Inleiding	50
Spijkers en voetjes	51
Voor vloeren met vloerbedekking/tapijt	51
Voor houten/harde vloeren	51
Installatie	51
Tweekanaalspositionering	51
AV-positionering	52
Installatie van de Silver FX	52
Atmos	53
De Silver FX op een muur monteren	53
Bedrading	54
Enkele draad	54
Dubbele bedrading	54
Bi-amping	54
De effecten van dubbele bedrading/bi-amping	55
Poortstoppen	55
Uw luidsprekers instellen	56
Bevestigingsbout verstellen	56
Garantie	56
Informatie eigenaar	56
Specificaties	57

Inleiding

De bewonderenswaardige Silver Silver Series introduceert haar zesde generatie, met een baanbrekend design voor de gehele serie. Elk model is zo ontwikkeld om zowel de hifihobbyist als de home cinema-enthousiasteling nóg meer aan te spreken en de prestaties naar een nóg hoger plan te tillen. Twee nieuwe luidsprekers in het midden maken het nu mogelijk om een stijlvol en discreet of juist groot en krachtig home theatre-systeem op te bouwen. De Silver 50- en Silver 70-modellen zijn compacter en aantrekkelijker voor moderne leefruimten. Ze bieden wel dezelfde prestaties als die u mag verwachten van veel grotere luidsprekers. De Silver 50 en Silver 200 kunnen worden gecombineerd met de compacte Silver C150-luidspreker voor in het midden. De toon hiervan komt overeen en ze zijn gecombineerd zeer discreet voor een compact tweekanaalsysteem met ongekennde prestaties. De Silver C350-luidspreker voor in het midden biedt u de mogelijkheid om een home theatre-systeem op te zetten dat geen compromissen doet en met de Silver 100-, Silver 300- of Silver 500-modellen kan worden geïnstalleerd.

Spijkers en voetjes



Selecteer afwerkingen worden geleverd met een schuimafdichting op de uitlaat, zorg ervoor dat deze kant op de kast zit.

Voor houten/harde vloeren

(alleen Silver 200, 300 en 500)

De voetjes en "plaatjes" zijn inbegrepen om te worden gebruikt bij houten of harde vloeren, vloeren zonder vloerbedekking/tapijt of indien spijkers ongepast zijn. De meegeleverde bouten (A en B) zijn het enige dat is vereist om ze te bevestigen aan de luidspreker.

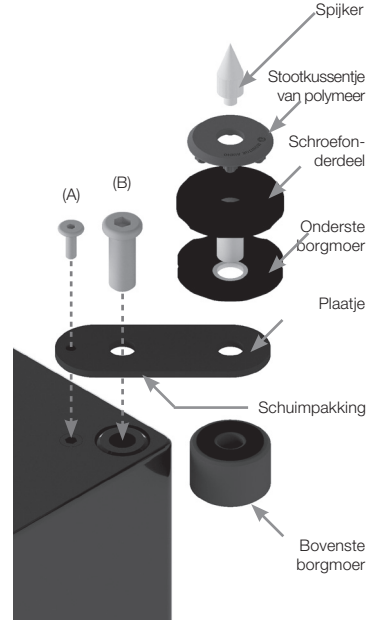
Met een waterpas kunt u controleren of de luidspreker aan alle kanten recht staat. Als hij niet helemaal recht staat, schroef dan het voetje op het laagste punt iets losser. Herhaal dit tot de luidspreker helemaal recht staat. Gebruik de borgmoeren op de voetjes om ze vast te zetten en ongewenste vibraties te voorkomen.

Voor vloeren met vloerbedekking/tapijt

(alleen Silver 200, 300 en 500)

Indien de luidspreker op een vloer met vloerbedekking wordt opgesteld, bevestig dan de spijker in het voetje en "plaatje". Bevestig ze met de meegeleverde bouten (A en B) aan de luidspreker.

Met een waterpas kunt u controleren of de luidspreker aan alle kanten recht staat. Als hij niet helemaal recht staat, schroef dan het voetje op het laagste punt iets losser. Herhaal dit tot de luidspreker helemaal recht staat. Gebruik de borgmoeren op de voetjes om ze vast te zetten en ongewenste vibraties te voorkomen.



Zorg dat er geen verborgen bedrading onder de vloerbedekking ligt die beschadigd zou kunnen raken door de spijkers.

Installatie

Tweekanaalspositionering

Bij het positioneren van een tweekanaalssysteem moet de luisterpositie samen met de luidsprekers een gelijkzijdige driehoek vormen. De luidsprekers moeten tussen de 1,8 en 3 meter van elkaar af staan. De ideale afstand vanaf de achterste muur varieert, afhankelijk van de luidspreker (zie de lijst hieronder). De luidsprekers moeten echter minimaal 91 cm vanaf de zijmuren af staan.

- Silver 50 15 - 30 cm
- Silver 100 & 200 20 - 36 cm
- Silver 300 & Silver 500 30 - 61 cm

OPMERKING: Dit zijn aanbevolen afstanden voor optimale prestaties. De werkelijke resultaten zijn afhankelijk van de afmetingen en constructie van de ruimte.

Het is aan te raden om te experimenteren met de opstelling van uw luidsprekers, aangezien de omgeving en persoonlijke voorkeur bij elk systeem en voor iedereen anders is. Als het basgeluid bijvoorbeeld te zwak is, probeer dan de luidsprekers dichterbij de muur te plaatsen. Doe het tegenovergestelde als het basgeluid te sterk is. Zie ook de informatie op pagina 55 over het gebruik van poortstoppen. Als het stereogeluid verloren gaat, probeer de luidsprekers dan iets naar binnen te draaien. Het geluid moet vanuit het middelpunt tussen de luidsprekers lijken te komen, niet uit de luidsprekers zelf.

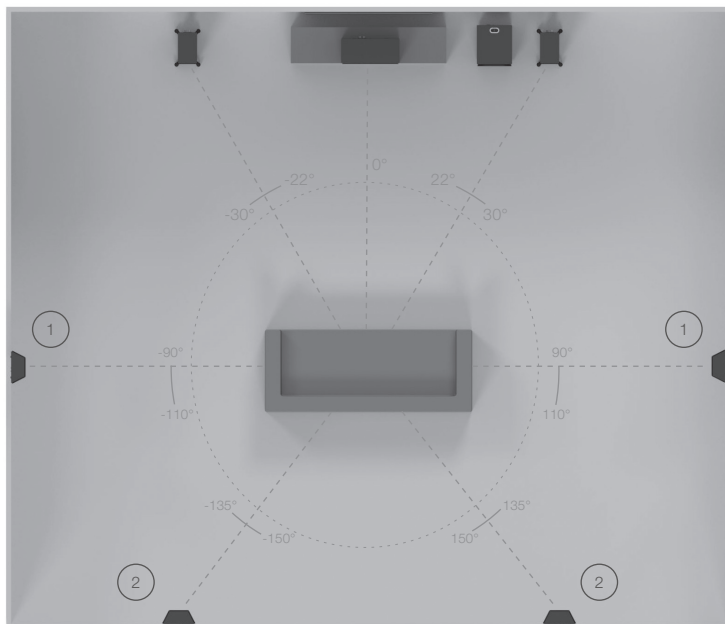
AV-positionering

Raadpleeg de illustratie hieronder voor de ideale hoek en posities van elke luidspreker van uw surroundsysteem. De afstand tot de muur moet overeenkomen met de vereisten van de luidspreker. Deze worden vermeld in het gedeelte 'Tweekanaalspositionering' (pagina 51).

Als er tijdens het afspelen van muziek te veel bas is of als er een basgeluid buiten de kamer te horen is (zonder een subwoofer), plaats ze dan iets verder van de muur. Is dit niet mogelijk, gebruik dan de meegeleverde poortstoppen. In geval van een systeem met subwoofer past u de crossoverfrequentie-instellingen voor de luidsprekers en/of subwoofer aan.

De middelste kanaal Silver-luidspreker moet zo gepositioneerd worden dat hij vanuit uw filmkijklocatie naar u toe staat gericht, ongeveer op oorhoogte.

OPMERKING: De onderstaande afbeeldingen dienen slechts ter illustratie. Zie pagina 52 als u de Silver FX gebruikt.



1. Surround-luidsprekers zijkant

2. Surround-luidsprekers achterkant

Een 7.1 surroundsysteem maakt gebruik van luidsprekers aan de zijkant (positie 1) en achterkant (positie 2) om een volledige 360°-geluidsomgeving te creëren. Gebruikt u een 5.1 systeem, zet uw surrounds dan in positie (1) of (2).

Installatie van de Silver FX

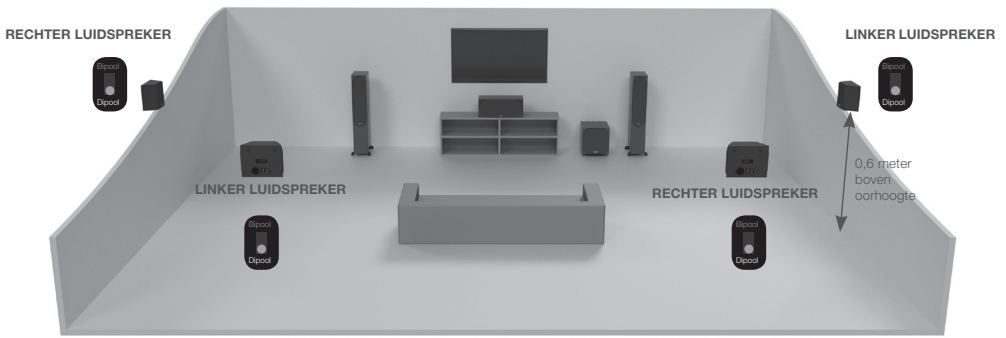
De Silver FX bevat een dipoolige of bipoolige luistermodus. In de bipoolmodus zijn de driver en de tweeters in fase. In de dipoolmodus is één van de tweeters niet in fase naar de andere tweeter en de hoofddriver om een diffuus geluid te creëren. De FX-luidsprekers moeten op de wand zijn gemonteerd, ongeveer 0,6 meter boven oorhoogte.

Dipool-/bipool-switch: Zet de switch op bipool als het als luidspreker achter onderdeel is van een 5.1 systeem. Er is echter niets mis met experimenteren en u kunt de switch ook een keer op dipoolmodus zetten.

Zet de switch op dipool als het onderdeel is van een 7.1 systeem met 1 paar FX-luidsprekers. Indien u 2 paar FX-luidsprekers gebruikt voor effecten aan de zij- en achterkant, stelt u ze allemaal in op dipoolmodus en wisselt u de linker en rechter FX-luidsprekers, waarbij u de FX-luidsprekers aan de achterkant wel juist gepositioneerd laat (waarbij links en rechts overeenkomen met de linker- en rechterkanalen), zoals afgebeeld op pagina 53.

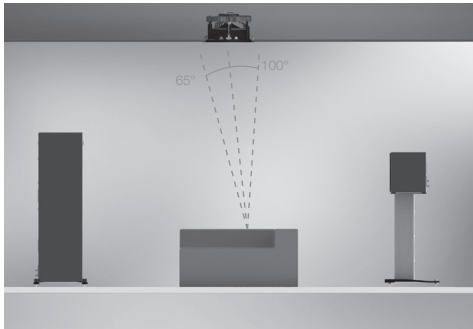


OPMERKING: Zorg er bij het aanpassen van switches voor dat de versterker is uitgeschakeld. Dit is ter bescherming van de versterker.



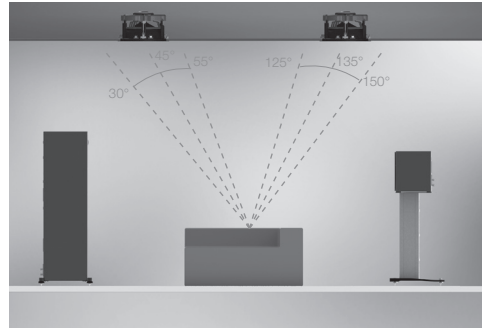
Atmos

Bij het installeren van een Atmos-systeem is het gebruik van onze C265-IDC of CPCT380-IDC aanbevolen voor de Atmos-kanalen. Deze luidsprekers maken gebruik van een unieke, geïnverteerde, dubbele, concentrische (IDC, Inverted Dual Concentric) en wendbare mid-range/tweeter-module, die een bredere verspreiding biedt en heel ideaal is voor Atmos. Meer informatie over de C265-IDC en CPCT380-IDC vindt u op onze website: monitoraudio.com.



2 Atmos-luidsprekers (overeenkomstig vooraan links en rechts)

Zie hieronder voor ideale positionering bij installatie van 2 of 4 luidsprekers.



4 Atmos-luidsprekers (overeenkomstig vooraan links en rechts)

De Silver FX op een muur monteren



LET OP: U moet eerst vaststellen waar u de Silver FX-luidsprekers wilt plaatsen en wat voor structuur de muur heeft. Als u er niet zeker van bent of u zelf in staat bent om de luidsprekers veilig vast te zetten, probeer dan niet zelf deze luidsprekers op de muur te monteren. Schakel dan professionele hulp in om veiligheidsrisico's te voorkomen.



LET OP: Let erop dat er geen waterleidingen en elektriciteitskabels aanwezig zijn achter de plek op de muur waar u de muurbeugels wilt bevestigen. Werk op een veilige trap en pas op voor losliggende draden.



OPMERKING: Schroeven en pluggen voor de muur worden niet met de Silver FX meegeleverd. U moet zelf zorgen voor de juiste benodigdheden voor het muurtype waaraan u de Silver FX wilt bevestigen.

De Silver FX wordt geleverd met steunen op de luidspreker. Schroeven en pluggen voor de muur worden niet met de Silver FX meegeleverd. U moet zelf zorgen voor de juiste benodigdheden voor het muurtype waaraan u de Silver FX wilt bevestigen.

Om uw FX aan de muur te bevestigen, raden we u aan om het muurbevestigingssjabloon te gebruiken dat is meegeleverd in de verpakking.

Bedrading

Enkele draad

Verbind een enkelvoudige kabelset met de aansluitingen aan de achterkant van de luidspreker. De luidspreker-crossover leidt de frequenties intern naar de juiste driver/tweeter. Lage frequenties naar de basdrivers, middelhoge frequenties naar de mid-/basdriver en hoge frequenties naar de tweeter.

U kunt verbinden met de bovenkant, onderkant of diagonaal (het is aan te raden om te experimenteren voor een optimaal resultaat).



OPMERKING: Bij deze methode dient u de aansluitingsverbindingen op hun plaats te houden.

Dubbele bedrading

Dubbele bedrading wordt verkregen door afzonderlijke paren luidsprekerkabels te verbinden met de aansluitingen op de luidspreker via een enkele aansluiting op de versterker. Bij de Silver Series zijn de onderste aansluitingen verbonden met de basdriver(s) en de bovenste aansluitingen met de tweeter in 2-weg luidsprekers, of de mid en tweeter in 2.5- en 3-weg luidsprekers.



OPMERKING: Bij deze methode moeten de aansluitingsverbindingen worden verwijderd.

Bi-amping

Bi-amping is hetzelfde als bi-wiring. Het enige verschil is dat er een tweede versterker wordt toegevoegd.

Voor bi-amping dient u een set luidsprekerkabels met de bovenste aansluitingen op de luidspreker van een versterker te verbinden en een andere set luidsprekerkabels met de onderste aansluitingen van de tweede versterker.



OPMERKING: Bij de bedrading van deze methode MOETEN de aansluitingsverbindingen worden verwijderd.

De effecten van dubbele bedrading/bi-amping

Een luidspreker cross-over zorgt voor variatie in de impedantie tussen de luidspreker en de eindversterker. Wanneer er een compleet muzikaal signaal naar de aansluitingen van een volwaardig luidsprekersysteem wordt gestuurd, ontvangt/ontvangen de basdriver(s) alleen de signalen met een lage frequentie. De mid-driver ontvangt de signalen met een middenfrequentie en de tweeter ontvangt alleen de hoge frequentiesignalen. Dit houdt in dat als aparte luidsprekerkabels worden aangesloten op de aansluitingen voor lage en hoge frequenties, de driver-eenheden niet alleen de frequenties hebben gestuurd en verdeeld, maar dat de twee aparte luidsprekerkabels nu ook verschillende signalen overbrengen: de baskabel overwegend de lage tonen en de tweeterkabel overwegend de hoge tonen.

Zodra de hoge en lage frequenties op deze manier zijn gescheiden, zullen de sterke pulsen en golven van de basdriver tijdens het produceren van bas of drums niet in de weg staan van de fijne geluiden van een fluit of cymbaal.

In een enkelvoudig bedraad systeem zorgen ongewilde mechanische en elektrische resonanties voor vervorming bij beide sets luidsprekeraansluitingen. Vanwege de impedantie van de luidsprekerkabels zullen deze vervormingen niet volledig worden weggenomen door de versterker. In plaats daarvan moduleren ze tussen de twee cross-overs, waardoor de geluidskwaliteit achteruitgaat. Bij dubbele bedrading wordt deze interactie geminimaliseerd omdat signaalvervorming wordt 'gezien' bij de uitvoer van de versterker, waar het effectiever kan worden geannuleerd. Bi-wiring/bi-amping zorgt voor een 'helderder' signaal bij lage en hoge frequenties in de luidsprekeraansluitingen. Omdat de hoge en lage frequenties al zijn gesplitst, hebben ze geen tot weinig invloed meer op elkaar. De bas overstemt dus niet de treble.

Bi-wiring/bi-amping zorgt voor een hoorbaar verschil: geluiden in de mid-range en hoge frequenties zijn helderder en gedetailleerder. De bas wordt vaak sneller en strakker. Focus en staging worden ook verbeterd. Het is een effectieve en begerenswaardige verbetering en wordt daarom aanbevolen door Monitor Audio.

Poortstoppen



WAARSCHUWING: Pas op dat u de poortstop niet te ver in de poort duwt, aangezien de stop van schuimrubber in de behuizing kan vallen.

Als de luidspreker in een kleine kamer (ongeveer 9 vierkante meter) wordt gebruikt, of in een kamer die een versterkte basrespons creëert, dan is het wellicht een goed idee om poortstoppen te gebruiken. Het is echter aan te raden om eerst te experimenteren met de plaatsing van de luidsprekers, alvorens u de poortstoppen gebruikt. Om de prestaties van de luidspreker te verbeteren, moet u ervoor zorgen dat de luidspreker niet te dicht bij een muur of hoek staat.

Als de positionering van de luidspreker vooraf is bepaald door de indeling van de ruimte, dan kunt u de bas accentueren of indien luidsprekers dichtbij (dichterbij dan de minimale aanbevolen afstand op pagina 51) een muur geplaatst moeten worden (zoals op een boekenplank, in een open kast of aan de muur gemonteerd), dan is het aan te raden om de poortstoppen te gebruiken. Dit reduceert de 'dreun' van de bas en helpt de luidsprekers om optimaal te functioneren onder deze omgevingsomstandigheden. Een basdreun ontstaat wanneer de energie van de bas van de luidsprekers de kamer laat resoneren, wat zorgt voor een versterking van een of meer frequenties.

Het basbereik wordt niet verlaagd door het gebruik van poortstoppen. Wel vermindert de energie van de bas rondom de poortfrequentie. Hierdoor verlaagt u de 'dreun' van de bas en verhoogt u tegelijkertijd de helderheid en behendigheid.

In alle omstandigheden adviseren wij u om te experimenteren.

Uw luidsprekers instellen

Laat uw luidsprekers inlopen door normale muziek af te spelen. Speel gedurende ongeveer 50-70 uur af op laag tot middelhoog luisterniveau. U zult merken dat het geluid zelfs na 70 uur nog verbetert.

Dit kan geleidelijk vanzelf gaan; de prestaties zullen beter worden naarmate de tijd vordert, net als bij een goede wijn.

Als u de luidsprekers continu wilt laten doorlopen, dan kunt u het geluidsvolume verlagen door de luidsprekers tegenover elkaar te zetten, zodat de drivers/tweeters op één lijn liggen en zo dicht mogelijk bij elkaar staan. Sluit de versterker vervolgens aan op uw luidspreker, zodat eentje ervan normaal is aangesloten (in fase): positief op positief en negatief op negatief (rood op rood en zwart op zwart) en de andere uit fase: positieve naar negatieve en negatieve naar positieve input op de luidspreker.

Bevestigingsbout verstellen

De nieuwe Silver Series zit met één schroef vast aan de behuizing om resonantie te voorkomen. Elke schroef zorgt voor versteviging, maar elimineert ook de noodzaak voor een conventionele driverbevestiging. Dit houdt de driver los van de voorzijde en elimineert aanvullende resonantie.

OPMERKING: Als de schroef na verloop van tijd loskomt of tijdens het vervoeren los is gegaan, draai hem dan weer aan met de bijgeleverde inbusleutel. Wanneer hij door de bout gedragen wordt, hoeft u hem maar een kwartslag verder te draaien.

Garantie

Voor zowel het vakmanschap als de prestaties van dit product gelden een garantie van **vijf** jaar vanaf de datum van aankoop (zie de voorwaarden in de bijsluiters Veiligheidsinstructies), op voorwaarde dat het product is gekocht bij een geautoriseerde verkoper van Monitor Audio volgens de geldende verkoopovereenkomst.

Om de garantie van de producent te controleren, kunt u het online registratieformulier openen op: **monitoraudio.com**

Informatie eigenaar

Productdetails

Model: _____

Product serienummer: _____

Versterkerpaneel serienummer: _____

Aankoopdatum: _____

Details verkooppunt

Naam verkooppunt: _____

Adres: _____

Postcode: _____

E-mailadres: _____

Monitor Audio behoudt zich het recht voor om specificaties te wijzigen zonder verdere kennisgeving.

Specificaties

MODEL	Silver 50	Silver 100	Silver 200	Silver 300	Silver 500	Silver C150	Silver C350	Silver FX
Systeemsoort	2 richtingen	2 richtingen	2 ½ richtingen	3 richtingen	3 richtingen	2 ½ richtingen	3 richtingen	2 richtingen
Frequentierespons (-6dB)	52 Hz - 35 kHz	40 Hz - 35 kHz	38 Hz - 35 kHz	32 Hz - 35 kHz	30 Hz - 35 kHz	52 Hz - 35 kHz	40 Hz - 35 kHz	60 Hz - 35 kHz
Gevoeligheid (1W@1M)	87 dB	88 dB	89 dB	90 dB	90 dB	90 dB	90 dB	87 dB
Nominale impedantie	8 Ohm	8 Ohm	8 Ohm	8 Ohm	8 Ohm	8 Ohm	8 Ohm	8 Ohm
Ingangsimpedantie	4,1 Ohm @ 220 Hz	4,5 Ohm @ 167 Hz	4,7 Ohm @ 182 Hz	3,5 Ohm @ 146 Hz	3,1 Ohm @ 2,45 kHz	3,7 Ohm @ 193 Hz	3,2 Ohm @ 176 Hz	4,0 Ohm @ 229 Hz
Maximale S.P.L	110 dBA (paar)	112 dBA (paar)	114 dBA (paar)	116 dBA (paar)	117 dBA (paar)	112 dBA	113 dBA	110 dBA (paar)
Vermogen (R.M.S.) Watt	100 W	120 W	150 W	200 W	250 W	150 W	200 W	85 W
Aangeraden vermogen versterker R.M.S.	40 - 100 W	40 - 120 W	60 - 150 W	80 - 200 W	80 - 250 W	60 - 150 W	80 - 200 W	30 - 85 W
Basafstemming	Basreflex HiVe II-poortstelsysteem	Basreflex HiVe II-poortstelsysteem	Tweekamers-basreflex met differentieële afstemming, Twin HiVe-poortstelsysteem	Basreflex Twin HiVe-poortstelsysteem	Basreflex Twin HiVe-poortstelsysteem	Gesloten behuizing	Gesloten behuizing	Gesloten behuizing
Cross-overfrequentie	3,0 kHz	2,8 kHz	L.F./M.F.: 700Hz L.F./M.F.: 2,9 kHz	L.F./M.F.: 570Hz M.F./H.F.: 3,5 kHz	L.F./M.F.: 625Hz M.F./H.F.: 3,1 kHz	L.F./M.F.: 650Hz M.F./H.F.: 3,1 kHz	L.F./M.F.: 830Hz M.F./H.F.: 3,2 kHz	2,5 kHz
Aanvulling op de aandrijving	1 x 5 1/4" RST bass-/mid-driver 1 x 1" (25 mm) gold dome C-CAM tweeter	1 x 8" RST bass-/mid-driver 1 x 1" (25 mm) gold dome C-CAM tweeter	1 x 5 1/4" RST bass-/mid-driver 1 x 1" (25 mm) gold dome C-CAM tweeter	2x 6" RST bass-driver 1 x 4" RST mid-range driver 1 x 1" (25 mm) gold dome C-CAM tweeter	2x 8" RST bass-driver 1 x 4" RST mid-range driver 1 x 1" (25 mm) gold dome C-CAM tweeter	2 x 5 1/4" RST bass-/mid-driver 1 x 1" (25 mm) gold dome C-CAM tweeter	2x 6" RST bass-driver 1 x 4" RST mid-range driver 1 x 1" (25 mm) gold dome C-CAM tweeter	1 x 6" RST bass-/mid-driver 2 x 1" (25 mm) gold dome C-CAM tweeter
Armetingen behuizing (zonder grille, terminals & steiplaten) (H x B x D)	270 x 165 x 240 mm 10 5/8 x 6 1/2 x 9 7/16"	375 x 230 x 300 mm 14 3/4 x 9 1/16 x 11 13/16"	885 x 165 x 240 mm 34 13/16 x 6 1/2 x 9 7/16"	1000 x 185 x 300 mm 39 3/8 x 7 5/16 x 11 13/16"	1050 x 230 x 300 mm 41 5/16 x 9 1/16 x 7 7/8"	165 x 450 x 200 mm 6 1/2 x 17 1/16 x 7 7/8"	235 x 560 x 240 mm 9 1/4 x 22 1/16 x 9 7/16"	250 x 310 x 130 mm 9 13/16 x 12 3/16 x 5 1/8"
Externe verhoudingen (inclusief grille & terminals) (H x B x D)	270 x 165 x 269 mm 10 5/8 x 6 1/2 x 10 5/16"	375 x 230 x 329 mm 14 3/4 x 9 1/16 x 12 15/16"	885 x 165 x 269 mm 34 13/16 x 6 1/2 x 10 5/16"	1000 x 185 x 329 mm 39 3/8 x 7 5/16 x 12 15/16"	1050 x 230 x 329 mm 41 5/16 x 9 1/16 x 12 15/16"	165 x 450 x 229 mm 6 1/2 x 17 1/16 x 9"	235 x 560 x 270 mm 9 1/4 x 22 1/16 x 10 5/16"	250 x 322 x 147 mm 9 13/16 x 12 1/16 x 5 13/16"
Externe afmetingen (inclusief steiplaten en voetjes+spijkers) (H x B x D)	n.v.t.	n.v.t.	918 x 232 x 307 mm 36 1/8 x 9 1/8 x 12 1/16"	1034 x 252 x 367 mm 40 11/16 x 9 15/16 x 14 7/16"	1083 x 297 x 367 mm 42 5/8 x 11 11/16 x 14 7/16"	n.v.t.	n.v.t.	n.v.t.
Gewicht (elk)	6 kg	9,3 kg	14,6 kg	20 kg	22,8 kg	9,1 kg	14,9 kg	4,3 kg

目录

简介	58
脚钉及支撑脚	59
地毯地板	59
木质/ 硬地板	59
设置	59
双声道定位	59
立体声定位	60
设置Silver FX	60
Atmos	61
将Silver FX安装到墙上	61
布线	62
单线连接	62
双线连接	62
双功放连接	62
双线及双功放的影响	63
风管塞	63
运行您的音箱	64
固定螺栓调整	64
保证	64
用户信息	64
规格	65

简介

最富盛名的银系列正在进入第六代，在整个系列中引入突破性的设计。我们开发了各种型号，为发烧友和家庭影院爱好者提供更广泛的吸引力，同时将性能提升到一个新的水平。两个新的中置扬声器，已能够装配时尚，分立或大型，功能强大的家庭影院系统。Silver 50和Silver 200型号更紧凑，为现代生活空间提供了更具吸引力的选择，同时也提供了更大型扬声器的同样性能。Silver 50和Silver 200可与紧凑型Silver C150中置扬声器组合使用，配以相互匹配和视觉分立，形成紧凑型高性能多通道系统。Silver C350中置可与Silver 100，Silver 300或Silver 500型号组合，创建一个不折不扣的家庭影院系统。

脚钉及支撑脚



选择表面处理装置在出料器上提供泡沫垫片，请确保将这一面放在机柜上。

木质/ 硬地板

(仅限于Silver 200, 300 及 500)

支撑脚及“外伸支架”适用于非地毯，木地板或硬地板，那些脚钉不适用的表面。只需使用附带的螺栓（A和B）将其固定在音箱底部。

您可以通过使用水平仪来检查音箱是否在水平面。如果它稍微偏低，请将脚调试到最低点并再次检查。继续进行，直到音箱完全水平。使用锁定螺母将每个脚固定到位，以防止任何不必要的振动。

地毯地板

(仅限于Silver 200, 300 及 500)

如果把音箱放置在铺有地毯的地板上，请将脚钉拧入支撑脚及“外伸支架”。使用随附的螺栓（A&B）将它们固定在音箱底部。

您可以通过使用水平仪来检查音箱是否在水平面。如果它稍微偏低，请将脚调试到最低点并再次检查。继续进行，直到音箱完全水平。使用锁定螺母将每个脚固定到位，以防止任何不必要的振动。



注意：请确保地毯下面没有隐藏的电线，因为它可能会被尖钉损坏。

设置

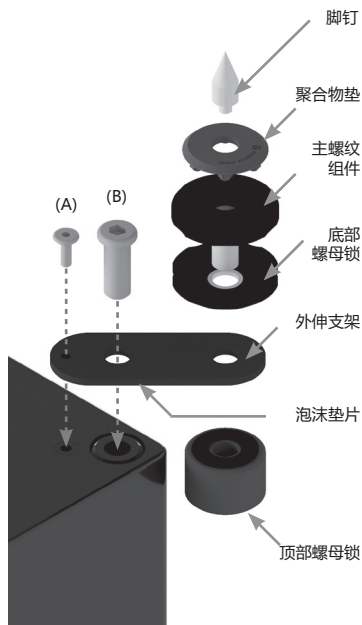
双声道定位

当处理双声道系统时，聆听位置和扬声器应形成等边三角形。扬声器的位置约为6 - 10英尺（1.8 - 3米）。距离后墙的理想距离取决于扬声器（见下面的列表），但是它们距离侧壁至少要3英尺（91厘米）。

- Silver 50 6 - 12 英寸 (15 - 30 厘米)
- Silver 100 及 200 8 - 14 英寸 (20 - 36厘米)
- Silver 300 及 Silver 500 12 - 24英寸 (30 - 61 厘米)

注意：这些是推荐的最佳性能距离。实际结果取决于房间的大小和施工。

最初设置扬声器时，强烈建议进行实验，因为环境和个人喜好在每次安装时都会有差异。例如，如果低音不足，请尝试将扬声器移至墙壁附近。如果低音太重，建议采用相反的方法。另请参阅第63页上的信息，参考风管塞。如果立体声成像正在丢失，请尝试轻轻地往内塞。声音似乎源自扬声器之间的中心点，而不是实际的扬声器本身。

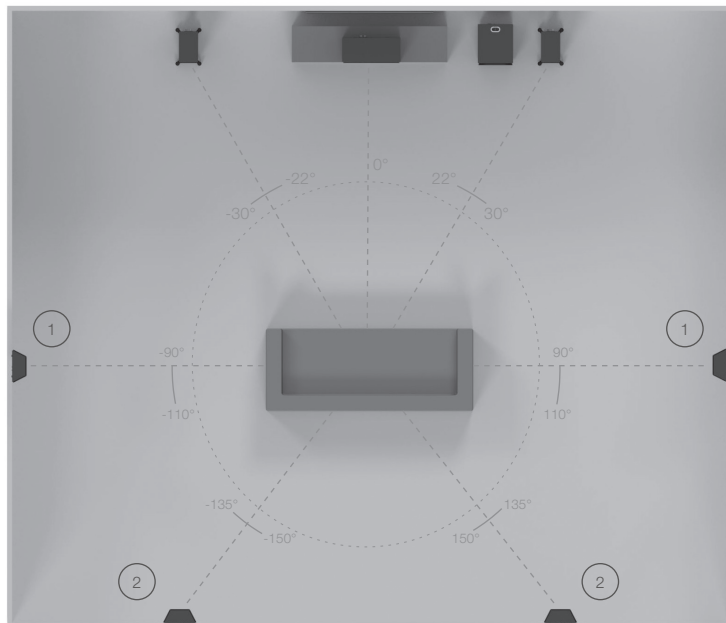


立体声定位

请参阅以下插图，了解环绕声系统中每个扬声器的理想角度和位置。应按照扬声器的要求将扬声器与墙壁隔离开来，这些要求列在双声道定位部分（第59页）中。

如果低音太重，或者在播放音乐时房间内出现重低音（没有低音炮），请尝试将扬声器稍微远离墙壁。如果不可能，请尝试用随附的风管塞。在具有低音炮的系统中，尝试调整扬声器分音器的频率设置或调整低音炮的位置。

银系列中置扬声器应定位在其指向观察位置和近似耳朵高度。



注意：以下图片仅供参考。如果使用Silver FX，请参阅第60页。

1. 侧环绕扬声器
2. 后置环绕扬声器

7.1环绕系统将使用侧面（位置1）和后置扬声器（位置2）创建完整的360度声场，如果设置5.1系统，您可以将周围环境置于1或2位置。

设置Silver FX

Silver FX具有Di-Pole或Bi-Pole聆听模式，在Bi-Pole模式下，驱动喇叭和高音单体都是同步的。在Di-Pole模式下，其中一个高音扬声器与另一个高音单体和主要驱动喇叭不同步，以产生扩散声音。FX扬声器应安装在高于耳朵高度约2英尺处。

Di-Pole/ Bi-Pole开关：当5.1系统作为后置扬声器的一部分时，将开关设置为Bi-Pole。尽管在Di-Pole模式下实验和尝试切换没有任何问题。

如果具有一对FX的7.1系统的一部分将切换到Di-Pole。如果使用两对FX的侧面和背部效果，将它们全部设置为Di-Pole模式，并将左右侧FX扬声器交换位置，保持后置FX扬声器位置（与左前和右前的声道左右相配），如第61页所示。



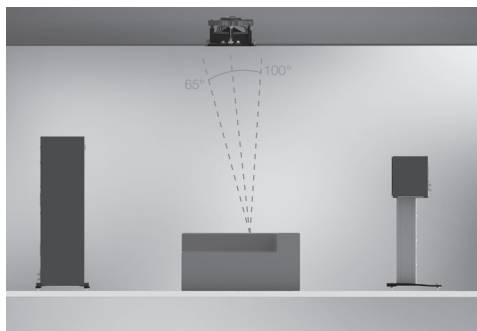
注意：在调整任何开关之前，请确保放大器至少关闭。这将有助于保护功放。



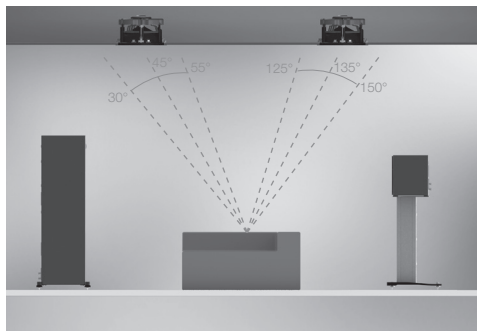
Atmos

在处理Atmos系统时，我们建议您使用我们的C265-IDC或CPCT380-IDC作为Atmos通道。这些扬声器采用独特的旋转IDC（倒置双同心）中音/高音单元，提供更宽的色散特性，是Atmos任务的理想选择。有关C265-IDC和CPCT380-IDC的更多信息，请访问我们的网站monitoraudio.com

请参阅下面的2或4个扬声器设置的理想定位。



2 两个Atmos音箱（与前左右一致）



4 个Atmos音箱（与前左右一致）

将Silver FX安装到墙上



注意：一定要确定Silver FX将在哪里固定和墙的结构。出于安全考虑，如果不确定您是否有能力提供牢固和安全的安装，请勿尝试将这些扬声器固定在墙上。请找能胜任并有资格的行业人士提供服务。



注意：确保水管或电缆不在固定音箱的墙板后面。从安全的步骤工作，避免拖尾。



注意：我们不提供墙壁固定螺丝和插头。请使用适当于墙体类型的固定材料。

Silver FX配有固定在音箱上的锁孔支架。FX不提供墙壁固定螺丝和插头。请使用适当于墙体类型的固定材料。

要将FX固定在墙上，我们建议您使用封装在包装纸箱内的墙壁固定模板。

布线

单线连接

通过单个电缆将单个接线实现到扬声器背面的端子。扬声器分音器内部将频率指向相应的低音/ 高音喇叭。低频连接到低音喇叭，中频连接到中低音喇叭以及高频连接到高音喇叭。

连接到顶部，底部端子或甚至对角线是完全可以接受的（实验可取得优选结果）。



注意：当使用这种连接方式时，请保持连接片安装到位。

双线连接

通过将单独的扬声器电缆对连接到功放上的单对连接的扬声器上的端子来实现双线。在音系列的情况下，底部端子连接到低音喇叭，顶部端子连接到双向扬声器的高音喇叭，或2.5和3向扬声器的中高音喇叭。



注意：使用此方式布线时必须除去连接片。

双功放连接

双功放及双线连接是相似的除非您是要引入第二台功放。

在双功放连接，您必须将一组电缆从一台功放连接到扬声器的顶部两个端子，再把另一组电缆从扬声器的底部两个端子连接到另一台功放。



注意：使用此方式布线时必须除去连接片。

双线及双功放的影响

扬声器里的分音器从根本上改变扬声器和功放所看到的阻抗。情况是这样的，当全频音乐信号被应用于全频扬声器系统的端子时，低音喇叭将仅接收低频信号，中音喇叭接收中频频率信号，并且高音喇叭仅得到发送的高频信号。这意味着如果单独的扬声器电缆连接到低频和高频端子，则不仅驱动单体具有频率的定向和分配，而且两个独立的扬声器电缆现在也将携带不同的信号，低音电缆主要是低音，高音电缆主要是高音。

一旦高频和低频以这种方式分离，低音喇叭在再生低音或鼓时所需的强电流脉冲和浪涌，将不会与长笛或钹的微妙声音相互作用。

在单个有线系统中，不必要的机械和电气共振在两组扬声器端子上表现为失真。由于扬声器电缆的阻抗，这些失真不会被功放完全取消。相反，它们在两个分音器之间调制，并降低声音质量。双线时，由于信号失真在功放的输出处被看到，因此可以更有效地消除这种相互作用。因此，双线/双功放在低频和高频扬声器端子上呈现“更干净”的信号，并且由于高频和低频已经分离，因此它们之间的效果最小 - 基本上是低音不会压制微妙的高音。

在音频的好处方面，双线/双功放，为中频和高频提供了清晰度和细节。低音通常会变得更快更紧。焦点和表演也将得到改善。总而言之，这是一个非常有效和可取的改进，并被猛牌公司强烈推荐。

风管塞



警告：必须注意不要将风管塞塞得太远，否则可能会导致风管塞掉入音箱内。

如果将扬声器安装在通常为9平方米（80平方英尺）的小房间中，或者一个已知能够重现突出的低音响应的房间，则可能需要配置风管塞。然而，建议在安装之前将扬声器定位在房间中进行实验。为了优化扬声器的性能，重要的是确保扬声器不靠近墙壁或靠近房间的角度。

如果扬声器的定位是通过房间美观或布局预先确定的，那么您会发现您的音调更为突出，或者在扬声器靠近位置（小于第59页所建议的最小距离）位于后墙（如在书架上，位于橱柜或靠近墙壁的位置），我们建议将风管塞装上。这样可以减少有时称为悬臂的低音“过剩”，并协助扬声器在这些环境条件下再现最佳表现。“过剩”通常是由于扬声器“激发”房间模式的低音能量引起的，发生在某个频率或几个频率上。

当装配风管塞时，整个低音的延伸不会减少，但风管塞调谐频率周围的低音能量/输出将会降低。这具有减少低音“过剩”的效果，同时增加低音清晰度和明显的敏捷性。

在所有情况下强烈推荐试验。

运行您的音箱

通过在低中音量下播放普通音乐大约50 - 70小时的播放时间来运行您的扬声器。即使在70小时之后，您也可能发现声音会持续改善。

随着时间的推移，这可以自然而然地进行：就像一款优质的葡萄酒一样，随着年龄的增长，愈久弥香。

或者，如果您希望连续运行扬声器，您可以将两个扬声器面对面放置，使低音/ 高音扬声器直接对准并尽可能靠近，从而降低音量。然后将功放连接到扬声器，使其与正常（同相）：正对正，负对负（红色至红色和黑色至黑色），另一个扬声器则反相连接：正对负，负对正。

固定螺栓调整

新的银系列具有“螺栓贯穿”扬声器固定功能，可减少音箱的着色。每个螺栓用作刚性支架，同时也消除了常规扬声器固定件的要求，有效地使扬声器和前挡板解耦，以消除更多的共振源。

注意：如果使用一段时间后发现螺栓松动，或者在运输过程中松动，请使用随附的六角扳手拧紧螺栓。这只需要将螺栓拧紧四分之一圈即可。

保证

自购买之日起，该产品的工艺和性能都享有**5年**的质保，如有任何的制造缺陷（相关条款请参阅重要安全须知），只要该产品是由猛牌授权的零售商提供。

为了帮助我们在客户数据库中找到您的保修信息，如有需要，请花几分钟时间在线注册您的产品。网址：monitoraudio.com

用户信息

产品信息

型号：_____

产品系列号：_____

功放器面板系列号：_____

购买日期：_____

经销商信息

经销商名称：_____

地址：_____

邮编：_____

电子邮件地址：_____

猛牌音箱有限公司保留变更规格的权利，恕不另行通知。

规格

型号	Silver 50	Silver 100	Silver 200	Silver 300	Silver 500	Silver C150	Silver C350	Silver FX
系统格式	双向	双向	2 ½ 向	3 向	3 向	2 ½ 向	3 向	双向
频响 (-6分贝)	52赫兹 - 35千赫兹	40赫兹 - 35千赫兹	38赫兹 - 35千赫兹	32赫兹 - 35千赫兹	30赫兹 - 35千赫兹	52赫兹 - 35千赫兹	40赫兹 - 35千赫兹	60赫兹 - 35千赫兹
灵敏度 (1瓦 @ 1米)	87分贝	88分贝	89分贝	90分贝	90分贝	90分贝	90分贝	87分贝
标称阻抗	8 欧姆	8 欧姆	8 欧姆	8 欧姆	8 欧姆	8 欧姆	8 欧姆	8 欧姆
最低阻抗	4.1 欧姆 @ 220赫兹	4.5 欧姆 @ 167赫兹	4.7 欧姆 @ 182赫兹	3.5 欧姆 @ 146赫兹	3.1 欧姆 @ 2.45千赫兹	3.7 欧姆 @ 193赫兹	3.2 欧姆 @ 176赫兹	4.0 欧姆 @ 229赫兹
最高声压 (RMS)	110 dBA (一对)	112 dBA (一对)	114 dBA (一对)	116 dBA (一对)	117 dBA (一对)	112 dBA	113 dBA	110 dBA (一对)
功率容量 (RMS)	100瓦	120瓦	150瓦	200瓦	250瓦	150瓦	200瓦	85瓦
建议功放要求 (RMS)	40 - 100瓦	40 - 120瓦	60 - 150瓦	80 - 200瓦	80 - 250瓦	60 - 150瓦	80 - 200瓦	30 - 85瓦
低音测试	低音反射 - HiVe II 风管系统	低音反射 - HiVe II 风管系统	双室低音反射与微调双 HiVe II 风管系统	低音反射 - 双HiVe II 风管系统	低音反射 - 双HiVe II 风管系统	全封闭音箱	全封闭音箱	全封闭音箱
分频点	3.0千赫兹	2.8千赫兹	低音：700赫兹中高频：2.9千赫兹	低音：570赫兹中高频：3.5千赫兹	低音：625赫兹中高频：3.1千赫兹	低音：650赫兹中高频：3.1千赫兹	低音：830赫兹中高频：3.2千赫兹	2.5千赫兹
扬声器配置	1 x 51/4 寸 RST 低/中音扬声器 1 x 1寸 (25毫米) C-CAM® 金圆顶高频扬声器	1 x 51/4 寸 RST 低/中音扬声器 1 x 1寸 (25毫米) C-CAM® 金圆顶高频扬声器	1 x 51/4 寸 RST 低音扬声器 1 x 51/4 寸 RST 中音扬声器 1 x 1寸 (25毫米) C-CAM® 金圆顶高频扬声器	2 x 6寸 RST 低音扬声器 1 x 4寸 RST 中音扬声器 1 x 1寸 (25毫米) C-CAM® 金圆顶高频扬声器	2 x 8寸 RST 低音扬声器 1 x 4寸 RST 中音扬声器 1 x 1寸 (25毫米) C-CAM® 金圆顶高频扬声器	2 x 51/4 寸 RST 低/中音扬声器 1 x 1寸 (25毫米) C-CAM® 金圆顶高频扬声器	2 x 6寸 RST 低音扬声器 1 x 4寸 RST 中音扬声器 1 x 1寸 (25毫米) C-CAM® 金圆顶高频扬声器	1 x 6寸 RST 低/中音扬声器 2 x 1寸 (25毫米) C-CAM® 金圆顶高频扬声器
音箱尺寸 (不含网框、端子及附件) (高x宽x长)	270 x 165 x 240毫米 10.58 x 6.52 x 9.71英寸	375 x 230 x 300毫米 14.34 x 9.10 x 11.81英寸	885 x 165 x 240毫米 34.13 x 6.52 x 9.71英寸	1000 x 185 x 300毫米 39.37 x 7.28 x 11.81英寸	1050 x 230 x 300毫米 41.34 x 9.10 x 11.81英寸	165 x 450 x 200毫米 6.52 x 17.72 x 7.87英寸	235 x 560 x 240毫米 9.25 x 22.11 x 9.71英寸	250 x 310 x 130毫米 9.84 x 12.21 x 5.12英寸
外部尺寸 (含网框及端子) (高x宽x长)	270 x 165 x 269毫米 10.58 x 6.52 x 10.58英寸	375 x 230 x 329毫米 14.34 x 9.10 x 12.91英寸	885 x 165 x 269毫米 34.13 x 6.52 x 10.58英寸	1000 x 185 x 329毫米 39.37 x 7.28 x 12.91英寸	1050 x 230 x 329毫米 41.34 x 9.10 x 12.91英寸	165 x 450 x 229毫米 6.52 x 17.72 x 9.01英寸	235 x 560 x 270毫米 9.25 x 22.11 x 10.58英寸	250 x 322 x 147毫米 9.84 x 12.71 x 5.81英寸
外部尺寸 (含外伸支架及螺栓组件+脚钉) (高x宽x长)	无	无	918 x 232 x 307毫米 36.14 x 9.10 x 12.11英寸	1034 x 252 x 367毫米 40.71 x 9.92 x 14.71英寸	1083 x 297 x 367毫米 42.58 x 11.74 x 14.71英寸	无	无	无
重量 (每个)	6公斤	9.3公斤	14.6公斤	20公斤	22.8公斤	9.1公斤	14.9公斤	4.3公斤

Содержание

Введение	66
Шипы и ножки	67
Для ковровых покрытий	67
Для твёрдых покрытий	67
Настройка	67
Размещение стереосистемы	67
Размещение многоканальной системы	68
Настройка модели Silver FX	68
Atmos	69
Размещение Silver FX на стене	69
Подключение	70
Подключение одним кабелем	70
Bi-Wiring	70
Bi-Amping	70
Эффект от подключения Bi-Wiring или Bi-Amping	71
Заглушки портов фазоинвертора	71
Приработка акустических систем	72
Регулировка крепежного болта	72
Гарантия	72
Информация	72
Технические характеристики	73
はじめに	74

Введение

Представляем шестое поколение серии Silver, получившее принципиально новый дизайн. Перед разработчиками каждой модели были поставлены взаимно дополняющие цели: привлечь большее внимание аудиофилов и ценителей домашнего кинотеатра и одновременно поднять характеристики до нового уровня. Две новые акустические системы центрального канала позволяют создавать стильные компактные или полноценные системы домашнего кинотеатра. Модели Silver 50 и Silver 200 стали компактнее – что немаловажно для современных жилых помещений – но при этом сохранили характеристики, которых ожидают от более крупных акустических систем. Silver 50 и Silver 200 можно комбинировать с компактной АС центрального канала Silver C150 для создания многоканальной системы для небольшого помещения. Акустика центрального канала Silver C350 обеспечивает возможность создания бескомпромиссной системы домашнего кинотеатра на базе моделей Silver 100, Silver 300 или Silver 500.

Шипы и ножки



Выбранные финишные покрытия поставляются с прокладкой из пеноматериала на внешней подвеске, пожалуйста, убедитесь, что эта сторона установлена на корпусе.

Для твёрдых покрытий

(только Silver 200, 300 и 500)

Опорные ножки, предназначенные для установки акустической системы на полу с деревянным или твёрдым покрытием, поставляются в собранном виде. Необходимо лишь закрепить их на нижней панели корпуса с помощью болтов (А и В), входящих в комплект поставки.

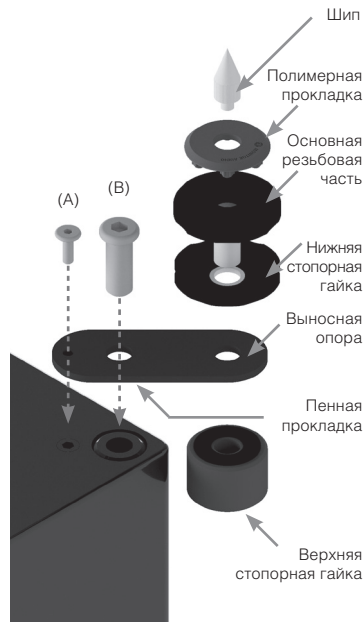
Если уровень отклоняется, вывинтите ножку в самой низкой точке, и снова проверьте уровень. Повторяйте операцию до выравнивания корпуса. Контргайки на ножке помогут зафиксировать её положение и предотвратить нежелательные вибрации.

Для ковровых покрытий

(только Silver 200, 300 и 500)

Если колонка размещается на ковровом покрытии, вкрутите в опорную ножку специальный шип. Закрепите ножки с шипами на нижней панели корпуса с помощью болтов (А и В), входящих в комплект поставки.

Если уровень отклоняется, вывинтите ножку в самой низкой точке, и снова проверьте уровень. Повторяйте операцию до выравнивания корпуса. Контргайки на ножке помогут зафиксировать её положение и предотвратить нежелательные вибрации.



Убедитесь, что под ковром нет скрытых проводов, которые могут быть повреждены шипами.

Настройка

Размещение стереосистемы

При размещении стереосистемы места расположения слушателя и акустических систем должны образовывать равнобедренный треугольник. Колонки должны быть расположены на расстоянии примерно 1.8 – 3 м друг от друга. Расстояние от задней стены варьируется в зависимости от типа колонок, однако АС должны быть на расстоянии не менее 91 см от боковых стен.

- Silver 50 15 – 30 см
- Silver 100 и 200 20 – 36 см
- Silver 300 и Silver 500 30 – 61 см

ПРИМЕЧАНИЕ: Указаны рекомендуемые расстояния для обеспечения оптимальных рабочих характеристик. Фактические характеристики зависят от размера и конфигурации помещения.

При первоначальной настройке акустических систем настоятельно рекомендуем поэкспериментировать, так как акустические особенности помещения и личные предпочтения в каждом конкретном случае отличаются. Если, например, ощущается недостаточный уровень низких частот, попробуйте передвинуть акустические системы ближе к стене. При избытке баса рекомендуется обратное. Более подробную информацию о заглушках фазоинвертора можно найти на стр. 71. Если пропадает стереоэффект, попробуйте немного повернуть акустические системы лицевой частью друг к другу. Должно возникать ощущение, что звук исходит из центральной точки между АС, а не из самих акустических систем.

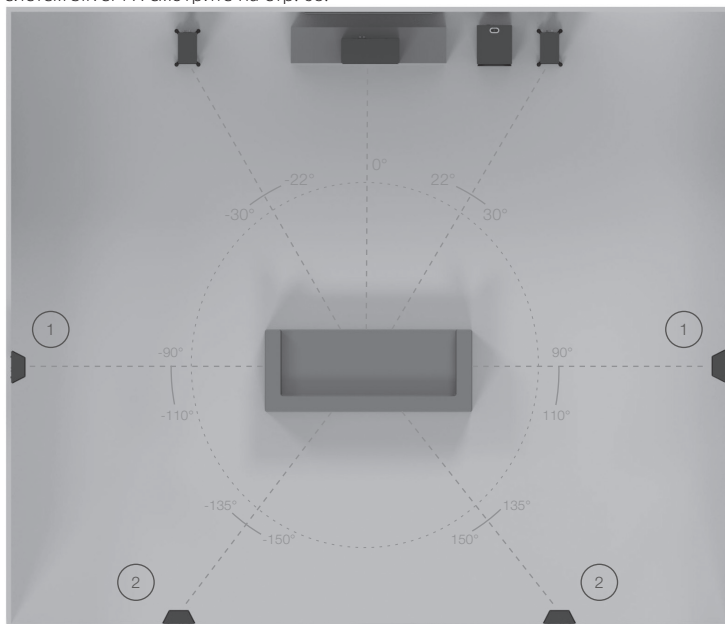
Размещение многоканальной системы

На иллюстрациях показано оптимальное расположение АС и углы их установки в многоканальной системе. Расстояние от акустической системы до стены должно соответствовать требованиям АС, которые приводятся в предыдущем разделе (стр. 67).

Если звук перенасыщен басами или при воспроизведении без сабвуфера слышен низкочастотный гул, попробуйте отодвинуть АС дальше от стен или установить входящие в комплект заглушки. Если в системе используется сабвуфер, отрегулируйте частоту разделительного фильтра для акустических систем и/или сабвуфера, а также измените положение сабвуфера.

АС центрального канала следует установить таким образом, чтобы она была направлена на положение зрителя при просмотре и располагалась приблизительно на уровне ушей зрителя.

ПРИМЕЧАНИЕ: Иллюстрации приводятся лишь в качестве примера. Пример использования акустических систем Silver FX смотрите на стр. 68.



1. Боковые АС пространственного звучания.
2. Тыловые АС пространственного звучания.

Система 7.1 для создания полной круговой звуковой панорамы использует боковые (позиция 1) и тыловые (положение 2) акустические системы. При использовании 5.1-канальной системы вы можете установить АС окружающего звучания в положение (1) или (2).

Настройка модели Silver FX

Silver FX поддерживает режимы Di-Pole и Bi-Pole. В режиме Bi-Pole основной динамик и ВЧ-динамики работают синфазно. В режиме Di-Pole один из ВЧ-динамиков не совпадает по фазе со вторым и с основными динамиками, и АС создает таким образом рассеянный звук. Акустические системы FX следует устанавливать на стене на высоте около 0,5 м над уровнем головы слушателя.

Переключатель режимов Di-Pole/Bi-Pole: Если колонка выступает в качестве тыловой АС системы 5.1, установите этот переключатель в положение Bi-Pole. Тем не менее, ничего плохого не произойдет, если вы поэкспериментируете и попытаетесь переключить его на режим Di-Pole.

Если колонка входит в состав системы 7.1 с одной парой FX, установите переключатель в положение Di-Pole. Если используются две пары FX, установите их в дипольный режим Di-Pole и поменяйте местами левую и правую боковые АС FX, сохранив положение тыловых АС FX (левая и правая АС должны соответствовать левой и правой фронтальным АС), как показано на стр. 69.



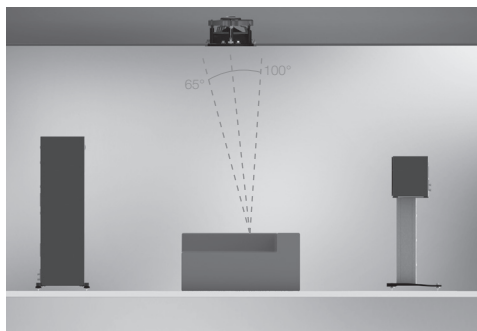
ПРИМЕЧАНИЕ: Перед регулировкой любых переключателей позаботьтесь, чтобы усилитель был выключен. Это обеспечит защиту усилителя.



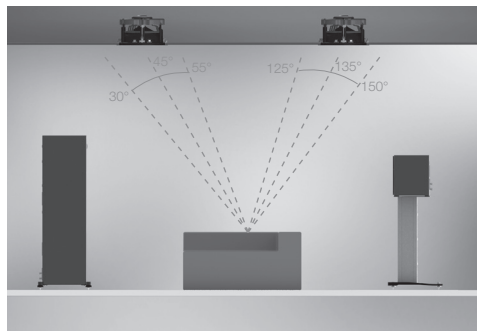
Atmos

Для каналов Atmos рекомендуем использовать встраиваемые колонки C265-IDC или CPCT380-IDC. Поворотный динамик IDC (с двумя инвертированными концентрическими излучателями), который обеспечивает лучшие характеристики рассеивания и идеально подходит для задач Atmos. Более подробную информацию о C265-IDC и CPCT380-IDC можно найти на www.monitoraudio.com.

Пример оптимального размещения конфигураций из 2 или 4 акустических систем.



2 колонки Atmos (в линию с фронтальными АС)



4 колонки Atmos (в линию с фронтальными АС)

Размещение Silver FX на стене



ВНИМАНИЕ: Определите место, где будет монтироваться Silver FX, и конструкцию стены. Если вы не уверены в своей способности обеспечить безопасное и надёжное крепление, то не пытайтесь самостоятельно установить эти акустические системы на стену, обратитесь к специалисту.



ВНИМАНИЕ: Убедитесь в том, что в выбранном месте в стене не проходят водопроводные трубы или электрокабели. Воспользуйтесь надёжной лестницей.



ПРИМЕЧАНИЕ: Крепёж не входит в комплект поставки Silver FX. Используйте только крепёж, подходящий для того типа стены, на который будет монтироваться Silver FX.

Silver FX поставляется с кронштейнами для подвески АС на специальные пластины с отверстием в форме замочной скважины. Крепёж не входит в комплект поставки Silver FX. Используйте только крепёж, подходящий для того типа стены, на который будет монтироваться Silver FX.

Для размещения акустических систем Silver FX на стене рекомендуем использовать специальный монтажный шаблон, входящий в комплект поставки.

Подключение

Подключение одним кабелем

Однопроводное подключение выполняется одним набором кабелей к клеммам на задней панели АС. Внутренний разделительный фильтр колонки направляет сигналы разной частоты на соответствующий основной или высокочастотный динамик. Низкочастотные сигналы – на НЧ-динамик, среднечастотные – на СЧ-/НЧ-динамик, а высокочастотные – на твитер.

Эта схема отлично подходит для подключения к верхним, нижним клеммам или даже для подключения к клеммам по диагонали (рекомендуется поэкспериментировать).



ПРИМЕЧАНИЕ: Перемычки между клеммами вы должны ОСТАВИТЬ НА МЕСТЕ.

Bi-Wiring

Двухпроводное подключение выполняется путем соединения клемм АС и разъемов на усилителе отдельными парами акустических кабелей. Нижние клеммы подключаются к низкочастотному динамику(ам), а верхние клеммы – к твитеру (в 2-полосных акустических системах) или к среднечастотному динамику и твитеру в 2.5- и 3-полосных акустических системах.



ПРИМЕЧАНИЕ: Необходимо СНЯТЬ перемычки между клеммами.

Bi-Amping

Эта схема аналогична схеме двухпроводного подключения, за исключением того, что в систему устанавливается второй усилитель мощности. Необходимо подключить один набор акустических кабелей от верхних клемм АС к одному усилителю, а другой набор кабелей от нижних клемм колонки – ко второму усилителю.



NOTE: Необходимо СНЯТЬ перемычки между клеммами.

Эффект от подключения Bi-Wiring или Bi-Amping

Разделительный фильтр АС изменяет сопротивление динамической головки и усилителя мощности. Когда на клеммы акустической системы полного диапазона поступает музыкальный сигнал полного диапазона, НЧ-головкаполучает только низкочастотные сигналы, СЧ-головка – частотные сигналы среднего диапазона, а твитер – только ВЧ-сигналы. Это означает, что если к НЧ и ВЧ-клеммам подключены отдельные кабели акустических систем, не только динамики и частоты будут разделены, но и оба отдельных кабеля акустических систем теперь также будут нести различные сигналы: НЧ-кабель – в основном низкочастотные, а кабель твитера – в основном высокочастотные. Как только высокие и низкие частоты будут разделены таким образом, сильные импульсы тока и перепады напряжения, требуемые НЧ-динамиком при воспроизведении басовой гитары или барабанов, не будут взаимодействовать с сигналами изысканного звучания флейты или тарелки.

При однопроводном подключении нежелательные резонансы проявляются как искажения на обоих наборах разъемов. Из-за сопротивления кабелей эти искажения не будут устранены усилителем полностью. Они модулируются между фильтрами и ухудшают качество звука. При двухпроводном подключении это взаимодействие сводится к минимуму, т.к. искажение сигнала «проявляется» на выходе усилителя, где оно может быть устранено более эффективно. Схемы Bi-Wiring и Bi-Amping обеспечивают «чистый» сигнал на клеммах акустической системы, а бас не подавляет чувствительный ВЧ-диапазон.

Схемы Bi-Wiring и Bi-Amping дают большую чёткость и детальность в диапазоне средних и высоких частот. Зачастую бас становится «быстрее» и «плотнее». Также улучшается фокусировка звука и формирование звуковой сцены. В целом это очень эффективное и желательное улучшение, настоятельно рекомендуемое компанией Monitor Audio.

Заглушки портов фазоинвертора



ВНИМАНИЕ: Будьте осторожны и не вставляйте заглушки слишком глубоко, так как при этом заглушка может упасть внутрь корпуса акустической системы.

Если акустическая система устанавливается в небольшом помещении (не более 9 м²) или в помещении с эффектом усиления низкочастотного диапазона, возможно, предпочтительнее будет установить заглушки фазоинвертора. В любом случае, прежде чем устанавливать заглушки, рекомендуем поэкспериментировать с расположением акустической системы в помещении. Для оптимизации производительности акустической системы важно не устанавливать её слишком близко к стене или углам помещения.

Если расположение акустической системы определяется эстетическими соображениями или особенностями планировки помещения, если бас кажется вам чересчур акцентированным или если АС приходится устанавливать в непосредственной близости (меньше минимального рекомендуемого расстояния, указанного на стр. 67) задней поверхности АС от стены (например, на книжной полке, расположенной в шкафу или на стойке близко к стене), то рекомендуем установить заглушки фазоинвертора. Это позволит уменьшить гудение баса и поможет акустическим системам максимально проявить свои характеристики в сложившихся условиях. Гул, как правило, возникает, когда НЧ-энергия акустических систем возбуждает колебания на резонансных частотах помещения и вызывает усиление определенной частоты или частот.

При установке заглушки фазоинвертора глубина баса в целом не снижается, однако будет уменьшена НЧ-энергия / мощность вблизи частоты настройки фазоинвертора. При этом наблюдается эффект снижения низкочастотного гула с одновременным улучшением чёткости баса и наблюдаемой стабильности частоты.

При любых обстоятельствах настоятельно рекомендуем вам экспериментировать.

Приработка акустических систем

Приработка выполняется при воспроизведении обычной музыки на низком или среднем уровне громкости в течение примерно 50–70 часов. Вы можете заметить, что звучание будет продолжать улучшаться даже после истечения 70 часов.

Естественно, приработка будет происходить постепенно – как и хорошее вино, производительность будет улучшаться с возрастом.

Если вы хотите заставить акустические системы работать непрерывно, можно уменьшить громкость звука / эффект присутствия, установив АС передними панелями друг к другу таким образом, чтобы динамики / твитеры находились непосредственно друг напротив друга и как можно ближе. Затем соедините усилитель с акустическими системами таким образом, чтобы одна из АС была подключена как обычно, синфазно (т.е. положительная клемма – к положительному входу АС, отрицательная – к отрицательному), а другая АС была подключена в противофазе (т.е. положительная клемма – к отрицательному входу, а отрицательная – к положительному).

Регулировка крепежного болта

В новой серии Silver применяется система крепления динамика одним сквозным болтом для уменьшения окраски звука резонансами корпуса. Болт не только выступает в качестве кронштейна жесткости, но и устраняет необходимость обычного крепления динамика, т.к. эффективно изолирует динамик от переднего акустического экрана с целью устранения дополнительного источника нежелательных резонансов.

ПРИМЕЧАНИЕ: Если затяжка этого болта ослабнет со временем или при транспортировке, затяните его с помощью шестигранного ключа, входящего в комплект поставки. Затяните болт на четверть оборота после его натяжения.

Гарантия

Производитель гарантирует высокое качество сборки и нормальную работу продукта в течение 5 лет с дня покупки при условии, что продукт был приобретен у авторизованного продавца Monitor Audio в соответствии с соглашением о продаже потребительских товаров.

Для подтверждения гарантии, предоставляемой вам изготовителем, заполните форму онлайн-регистрации на веб-сайте monitoraudio.com.

Информация

Информация о продукте

Модель _____

Серийный номер изделия _____

Серийный номер встроенного усилителя _____

Дата приобретения _____

Информация о продавце

Название салона _____

Адрес _____

e-mail _____

Характеристики изделия могут быть изменены производителем без предварительного уведомления.

Технические характеристики

МОДЕЛЬ	Silver 50	Silver 100	Silver 200	Silver 300	Silver 500	Silver C150	Silver C350	Silver FX
Тип	двухполосная	двухполосная	двухполосная	трёхполосная	трёхполосная	двухполосная	трёхполосная	двухполосная
Частотный диапазон (-6 дБ)	52 Гц – 35 кГц	40 Гц – 35 кГц	38 Гц – 35 кГц	32 Гц – 35 кГц	30 Гц – 35 кГц	52 Гц – 35 кГц	40 Гц – 35 кГц	60 Гц – 35 кГц
Чувствительность	87 дБ	88 дБ	89 дБ	90 дБ	90 дБ	90 дБ	90 дБ	87 дБ
Номинальное сопр.	8 Ом	8 Ом	8 Ом	8 Ом	8 Ом	8 Ом	8 Ом	8 Ом
Минимальное сопр.	4.1 Ом @ 220 Гц	4.5 Ом @ 167 Гц	4.7 Ом @ 182 Гц	3.5 Ом @ 146 Гц	3.1 Ом @ 2.45к Гц	3.7 Ом @ 193 Гц	3.2 Ом @ 176 Гц	4.0 Ом @ 229 Гц
Максим. уровень звукового давления	110 дБА (пара)	112 дБА (пара)	114 дБА (пара)	116 дБА (пара)	117 дБА (пара)	112 дБА	119 дБА	110 дБА (пара)
Мощность (R.M.S)	100 Вт	120 Вт	150 Вт	200 Вт	250 Вт	150 Вт	200 Вт	85 Вт
Рекомендуемая мощность усилителя	40 – 100 Вт	40 – 120 Вт	60 – 150 Вт	80 – 200 Вт	80 – 250 Вт	60-150 Вт	80 – 200 Вт	30-85 Вт
Тип корпуса	Фазоинвертор, порт HiVe II	Фазоинвертор, порт HiVe II	Фазоинвертор с двумя камерами, двойной порт HiVe II	Фазоинвертор, двойной порт HiVe II	Фазоинвертор, двойной порт HiVe II	Фазоинвертор, двойной порт HiVe II	Фазоинвертор, двойной порт HiVe II	Фазоинвертор, двойной порт HiVe II
Частота среза кроссовера	3.0 кГц	2.8 кГц	L.F./M.F./H.F.: 2.9 кГц	L.F./M.F.: 570 Гц M.F./H.F.: 3.5 кГц	L.F./M.F.: 625 Гц M.F./H.F.: 3.1 кГц	L.F. 650 Гц M.F./H.F.: 3.1 кГц	L.F./M.F.: 830 Гц M.F./H.F.: 3.2 кГц	2.5 кГц
Динамики	C/Ч/НЧ: 1 x 5 ^{1/4} " RST BЧ: 1 x 25 мм золотой купол C-CAM	C/Ч/НЧ: 1 x 8" RST BЧ: 1 x 25 мм золотой купол C-CAM	НЧ: 1 x 5 ^{1/4} " RST C-Ч: 1 x 5 ^{1/4} " RST BЧ: 1 x 25 мм золотой купол C-CAM	НЧ: 2x 6" RST C-Ч: 1 x 4" RST BЧ: 1 x 25 мм золотой купол C-CAM	НЧ: 2x 8" RST C-Ч: 1 x 4" RST BЧ: 1 x 25 мм золотой купол C-CAM	C/Ч/НЧ: 2 x 5 ^{1/4} " RST BЧ: 1 x 25 мм золотой купол C-CAM	НЧ: 2 x 6" RST C-Ч: 1 x 4" RST BЧ: 1 x 25 мм золотой купол C-CAM	НЧ/СЧ: 1 x 6" RST BЧ: 2 x 25 мм золотой купол C-CAM
Габариты корпуса (В x Ш x Г)	270 x 165 x 240 мм	375 x 230 x 300 мм	885 x 165 x 240 мм	1000 x 185 x 300 мм	1050 x 230 x 300 мм	165 x 450 x 200 мм	235 x 560 x 240 мм	250 x 310 x 130 мм
Габариты, включая гриль и разъемы (В x Ш x Г)	270 x 165 x 269 мм	375 x 230 x 329 мм	885 x 165 x 269 мм	1000 x 185 x 329 мм	1050 x 230 x 329 мм	165 x 450 x 229 мм	235 x 560 x 270 мм	250 x 322 x 147 мм
Габариты, включая опорную плиту и шипы (В x Ш x Г)	–	–	918 x 232 x 307 мм	1034 x 252 x 367 мм	1083 x 297 x 367 мм	–	–	–
Вес одной колонки	6 кг	9.3 кг	14.6 кг	20 кг	22.8 кг	9.1 кг	14.9 кг	4.3 кг

目次

スパイクおよび脚部	75
カーペットを敷いた床	75
フローリング/硬質床	75
セットアップ	75
2チャンネルの位置決め	75
AVの位置決め	76
Silver FXのセットアップ	76
Atmos	77
Silver FXを壁に固定	77
配線	78
単一配線	78
バイワイヤリング	78
バイアンピング	78
バイワイヤリング/バイアンピングの効果	79
ポート栓	79
スピーカーのランニングイン(慣らし運転)	80
保持ボルト調整	80
保証	80
オーナー情報	80
仕様	81
82	مقدمة

はじめに

ご愛顧頂いておりますSilverシリーズは第6世代に入り、全体にわたって画期的な新デザインを導入しております。各モデルは、性能を一段とレベルアップしながら、オーディオマニアのお客様のみならずホームシネマ愛好家の方々まで幅広くアピールできる製品として開発されています。新型センタースピーカー2基によって、スタイリッシュで独立分離型の、または大型でパワフルなホームシアター・システムの構築が可能となりました。Silver 50とSilver 200の両モデルは、よりコンパクトで、モダンな居住空間に最適でありながら、より大型スピーカーしか実現できなかった高性能も兼ね備えているのです。Silver 50とSilver 200は、コンパクトなセンタースピーカー Silver C150と組み合わせることによって、視聴覚ともにマッチシエンテリアに溶け込む、コンパクトかつ高性能なマルチチャンネル・システムを構築できます。Silver 100、Silver 300、Silver 500モデルをベースに、完璧なホームシアター・システムを構築できるのがセンタースピーカーSilver C350なのです。

スパイクおよび脚部



選択仕上げはアウトリジャーにフォームガスケットが付いていますので、この面がキャビネットに置かれていることを確認してください。

フローリング/硬質床

(Silver 200、300、500のみ)

脚部と「アウトリジャー」枠組みは、カーペットを敷いていないフローリングまたは硬質床またはスパイクの使用が適切でない場所で使用するために、事前に組み立てられた状態で発送されています。そのため、付属ボルト(AとB)でこれらをスピーカー基部に固定するだけでお使いいただけます。

水準器を使用して、スピーカーが全側面に関して水平であるかを確認できます。やや水平でない場合は、最も低い位置で脚部を緩め、再度確認してください。キャビネットが完全に水平になるまで、この作業を繰り返します。ロックナットを使用して、適切な位置に各脚部を固定して振動を止めてください。

カーペットを敷いた床

(Silver 200、300、500のみ)

スピーカーをカーペットを敷いた床に設置する場合は、スパイクを脚部と「アウトリジャー」枠組みにねじ込んでください。付属ボルト(AとB)を使ってこれらをスピーカー基部に固定してください。

水準器を使用して、スピーカーが全側面に関して水平であるかを確認します。やや水平でない場合は、最も低い位置で脚部を緩め、再度確認してください。キャビネットが完全に水平になるまで、この作業を繰り返します。ロックナットを使用して、適切な位置に各脚部を固定して振動を止めてください。



カーペットの下に配線が隠れていないか確認してください。スパイクにより傷つくことがあります。

セットアップ

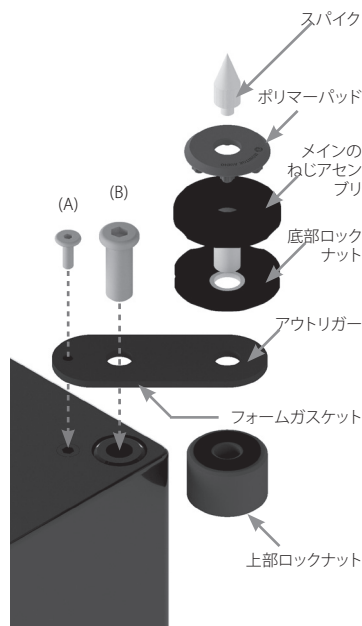
2チャンネルの位置決め

2チャンネルシステムを配置する際には、聞く位置とラウドスピーカーが正三角形を形成する必要があります。スピーカーは、約1.8~3m (6~10ft) 離して設置してください。背後の壁からの理想的な距離は、スピーカーにより異なります(下のリストを参照)。ただし、スピーカーは側面の壁から最低でも91cm (3ft) 離す必要があります。

1. Silver 50 15 - 30cm (6~12")
2. Silver 100 & 200 20 - 36cm (8~14")
3. Silver 300 & Silver 500 30 - 61cm (12~24")

注意:これらは最適なパフォーマンスのための推奨距離です。実際の部屋サイズや構造によって多少幅がある場合もあります。

スピーカーをセットアップする際には、環境や個人の嗜好が設置状態によって異なるため、様々な位置をお試しすることを強くお勧めします。たとえば、低音域が不足する場合には、スピーカーを壁に近づけてみてください。また、低音域が強すぎる場合には、逆にスピーカーを壁から遠ざけることをお勧めします。ページ79のポート栓に関する情報も参照してください。ステレオ感が失われている場合には、スピーカーの位置をやや「内向け」にしてください。こうすることで、サウンドはスピーカー本体からではなく、スピーカーの間の中心点から生成されているかのような体感を得ることができます。



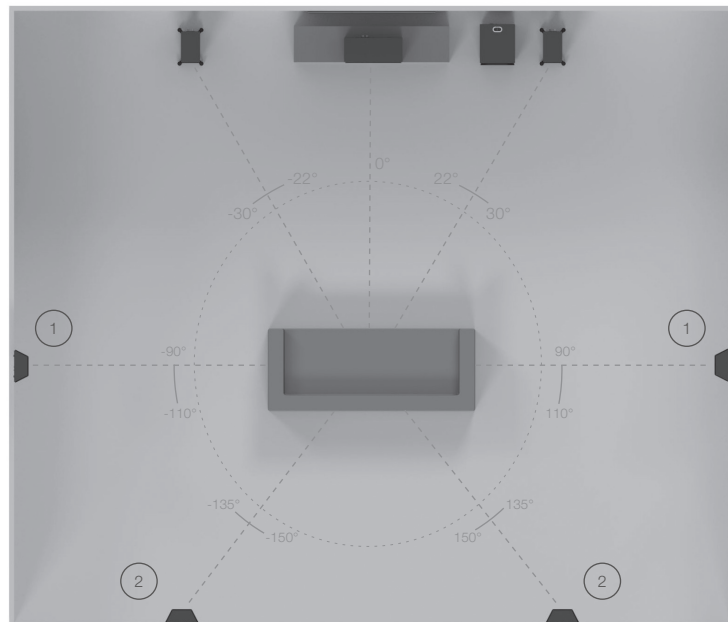
AVの位置決め

サラウンドシステムにおける各スピーカーの適切な角度と位置については、以下の図を参照してください。スピーカーは、スピーカー要件に従って壁から離す必要があります。これについては、2チャンネルの位置決めセクション(ページ75)の一覧で説明しています。

サブウーファーなしで音楽を再生する際に、低音が強すぎる場合や、低音の共振が部屋に響きすぎる場合は、ラウドスピーカーを少し壁から離してみてください。これが不可能な場合には、付属のポート栓をお試しください。サブウーファーを使用する場合は、スピーカーやサブウーファーのクロスオーバー周波数設定を調整してください。また、サブウーファーの位置も変更してみてください。

Silverセンターチャンネルスピーカーは、視覚位置に向き、ほぼ耳の高さになるように位置付ける必要があります。

注意:以下の画像は参照イメージです。Silver FXをご使用の場合はページ76をご覧ください。



1. サイドサラウンドスピーカー
2. リアサラウンドスピーカー

A 7.1 サラウンドシステムは、サイド(ポジション1)およびリア(ポジション2)スピーカーを使用し、完全な360°サウンドステージを作り出します。5.1システムをセットアップする場合は、ポジション(1)または(2)にサラウンドを配置することができます。

Silver FXのセットアップ

Silver FXにはDi-PoleとBi-Poleのリスニングモードがあります。Bi-Poleモードでは、ドライバーとツイーターが全てフェーズに入っています。Di-Poleモードでは、ツイーターのうち一つがフェーズから出て、残りのツイーターとメインドライバーがフェーズに入っていることで拡散音を創り出します。FXスピーカーは耳の高さより約61cm(2フィート)上の位置で壁に固定してください。

Di-Pole/ Bi-Poleスイッチ:5.1システムの一部がリヤスピーカーを構成する場合、スイッチをBi-Poleにしてください。ただし、Di-Poleモードでスイッチ切り替えて、最適な設定をお試しいただくことも可能です。

7.1システムの一部が1組のFXで構成される場合、スイッチはDi-Poleです。FXの2組がサイドとリヤ音響向けに使用される場合、ページ77の図解に示すように、全てをDi-Poleモードにして右と左のサイドFXスピーカーを入れ替え、リアFXスピーカーはそのまま(左右を正面左と正面右の)両チャンネルに合わせてください。



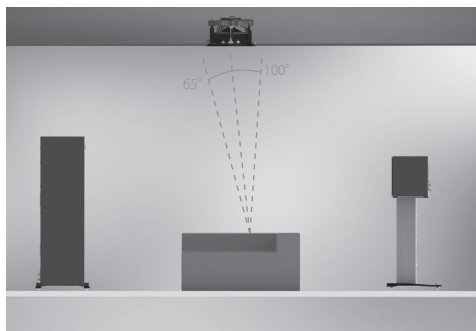
注意:スイッチのいずれかを調整する前に、必ずアンプのスイッチがオフとなっていることを確認してください。アンプを保護するためです。



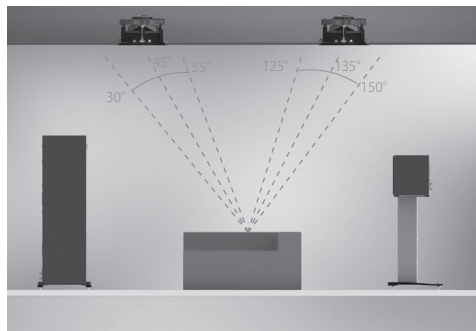
Atmos

Atmosシステムを設置する場合は、Atmosチャンネル用にC265-IDCまたはCPCT380-IDCを使用することを推奨します。これらのスピーカーは、ユニークな同軸IDC（インバーテッド・デュアル・コンセントリック）ミッドレンジ/ツイーター・モジュールを採用しており、Atmosにフィットした、より幅広い分散特性を実現しています。C265-IDCとCPCT380-IDCの詳細は、弊社のサイトmonitoraudio.comをご参照ください。

スピーカー2台または4台を設置する際の理想的な位置決めについては、以下をご覧ください。



Atmosスピーカー2台(フロント左右に沿って)



Atmosスピーカー4台(フロント左右に沿って)

Silver FXを壁に固定



注意:必ずSilver FXを固定する位置と壁の構造を確認してください。安全上の観点から、安定した状態で確実に固定できない可能性がある場合は、スピーカーを壁に固定しないでください。その代わりに、有資格の専門業者のサービスをご利用ください。



注意:壁用プレートが固定される位置の裏側に水道管や電気ケーブルが通っていないことを必ず確認してください。脚立はしっかり固定させ、ケーブルの絡まりにご注意ください。



注意:Silver FXには壁固定用のねじやプラグが付属しておりません。Silver FXが固定される壁の構造タイプに適した固定器具のみを使用してください。

Silver FXにはキャビネット固定用のキーホールブラケットが付属しています。FXには壁固定用のねじやプラグが付属しておりません。FXが固定される壁の構造タイプに適した固定器具のみを使用してください。

FXを壁に固定するには、段ボール箱に同梱されている壁固定用テンプレートを使用されることをお勧めします。

配線

単一配線

単一配線は、ラウドスピーカー背部のターミナルに単一ケーブル式を使用することで行えます。内部のラウドスピーカークロスオーバーは、周波数を適切なドライバー/ツイーターに導きます。内部のスピーカークロスオーバーは、低周波数を低ドライバーに、中間周波数を中/低ドライバーに、高周波数をツイーターに導きます。

上部・下部ターミナルに接続したり、斜めに接続しても全く問題ありません（お好みの結果を模索するため、様々な設定をお試しすることをお勧めします）。



注意:この方法を使用する際には、ターミナルリンクを適切な位置に維持する必要があります。

バイワイヤリング

バイワイヤリングは、個別のペアのスピーカーケーブルを、アンプの単一ペアのコネクタからラウドスピーカーのターミナルに接続することで行えます。Silverシリーズの場合、下部ターミナルは低ドライバーに接続し、上部ターミナルはツイーター（2ウェイスピーカー）、または2.5および3ウェイスピーカーの中ドライバー/ツイーターに接続します。



注意:この方法を使用する場合はターミナルリンクを取り外す必要があります。

バイアンプング

バイアンプングは、第2のアンプを均等化のため導入する場合を除き、バイワイヤリングと同じです。

バイアンプを行うには、第1のアンプからラウドスピーカーの上部ターミナルに一式のスピーカーケーブルを接続し、第2のアンプから下部ターミナルに別の一式のスピーカーケーブルを接続する必要があります。



注意:この方法で配線を行う場合、ターミナルリンクを取り外す必要があります。

バイワイヤリング/バイアンピングの効果

ラウドスピーカーのクロスオーバーは、基本的に、スピーカーおよびパワーアンプによって見られるインピーダンスを変化させます。このような状況は、フルレンジの音楽信号がフルレンジのスピーカーシステムのターミナルに適用された場合、ベースドライバーが低周波数信号のみを受信する場合、ミッドドライバーがミッドバンド周波数信号を受信する場合、ツイーターが高周波数信号のみを受信する場合に当てはまります。個別のスピーカーが低周波および高周波数ターミナルに別途接続された場合、これらに割り当てられるドライブユニットおよび周波数のみならず、個別の2つのスピーカーのケーブルが、ベースケーブルは主に低音、ツイーターケーブルは主に高音と、異なる信号を伝えるようになります。

このように高・低周波数が分離された場合、ベースやドラムの音を再生する際にベースドライバーが求める強力な電流パルスとサージは、フルートやシンバルのデリケートな音とは交わりません。

信号配線システムでは、不要な機械的共振や電氣的共振が、両方のスピーカーターミナルで歪みとして発生します。スピーカークーブルのインピーダンスにより、これらの歪みは、アンプでは完全に除去されません。その代わりに、2つのクロスオーバー間で変調させ、音質を劣化させます。バイワイヤリングの際は、信号の歪みがアンプの出力に「見られる」ため、この相互作用は最小限に抑えられ、より効率よくキャンセルされます。そのため、バイワイヤリング/バイアンピングは、「よりクリアな」信号を低周波数および高周波数のスピーカーターミナルの両方で発します。また、高・低周波数はすでに分けられているため、それぞれが互いにもたらす影響は最低限に抑えられます。基本的には、低音は繊細な高音域を圧倒しません。

バイワイヤリング/バイアンピングは、ミッドレンジおよび高周波数に対して、より優れた明確さ、鮮明さを与えることが聞き取れます。また、ベースはしばしば高速になり、キレが生まれます。フォーカスやステージングも向上します。極めて効果的かつ魅力的な向上であり、Monitor Audioはこれらを強く推奨します。

ポート栓



警告:ポート栓は、ポートに差し込み過ぎないように注意することが必要です。差し込み過ぎると、発泡栓をキャビネット内で紛失することがあります。

ラウドスピーカーを、9平方メートル (80平方フィート) の小さな部屋、または、強化低音反応を増幅できる部屋に配置する場合には、ポート栓を使用することをお勧めします。ただし、栓を適用する前に、ラウドスピーカーの様々な配置をお試しになることをお勧めします。パフォーマンスを最適化するためにも、ラウドスピーカーは壁や部屋の隅に近づけ過ぎないようにすることが重要です。

ラウドスピーカーの位置が部屋の美観やレイアウトで決定されてしまうため、低音が強調されたり、スピーカーが後ろの壁(キャビネットに配置された本棚または壁近くのスタンドなど)に近すぎる(ページ75に挙げる最小推奨距離以下)場合は、ポート栓をポートに付けることをお勧めします。これにより、強調され過ぎた低音の「ブーム」が低減され、ラウドスピーカーがこれらの環境下で最適なパフォーマンスを発揮できるようになります。この「ブーム」は通常、ラウドスピーカーからのベースエネルギーが部屋のモードを「強く刺激」し、特定の周波数または周波数の値で強調効果を生じさせる場合に発生します。

ポート栓を取り付けると、全体的な低音の伸びは低減されませんが、周波数を調整するポートまわりの低音のエネルギー/出力は低下します。これは、低音の鮮明さ、明白なアジリティを向上させると同時に、低音の「ブーム」を低減させる効果があります。

すべての状況において、設定をお試しすることを強くお勧めします。

スピーカーのランニングイン(慣らし運転)

お買い上げいただいたスピーカーを、低・中の聴取レベルで通常の音楽を約50~70時間再生して動作させます。また、再生が70時間を超えても、音の改善が継続することもあります。

慣らし運転は、自然に時間をかけて行うことができます。パフォーマンスは高級ワインのように、時間とともに熟成されていきます。

別の方法として、スピーカーを継続的にループで動作させたい場合は、スピーカーを向き合わせて配置することで可聴ボリューム/存在感を低くすることができます。こうすることで、ドライバー/ツイーターが直接整列し、可能な限り近づきます。次に、スピーカーの一つをノーマル(位相)になるように、プラスとプラス、マイナスとマイナス(赤と赤、黒と黒)にアンプを接続します。他のスピーカーは、異相となるように、マイナス入力に対してプラス、プラス入力に対してマイナスに接続します。

保持ボルト調整

新Silverシリーズには、キャビネットの変色を軽減するためボルトスルードライバー固定器具が付属しています。各ボルトが剛性プレースとして機能するだけでなく、ドライバーを固定する必要もないため、ドライバーとフロントバッフルを効果的に分離し、さらなる共振源を排除します。

注意: 長期にわたる使用により、このボルトがゆるんだ場合、または輸送中にゆるんだ場合、付属の六角キーを使用してボルトを締め直してください。これは、ボルトが負荷を受けた後、4分の1回転だけ回せば充分です。

保証

本製品の技術的な完成度やパフォーマンスは両者とも、本機器の購入日から製品欠陥に対して保証されています。保証は、消費者販売契約の下、認定Monitor Audio販売店によって提供されることを前提とし、本機器の購入日から5年間(重要な安全説明のしおりの条件を参照)とします。

製造業者の保証を検証するには、以下のオンライン登録フォームにアクセスしてください。monitoraudio.com

オーナー情報

製品詳細

モデル: _____

製品のシリアル番号: _____

購入日: _____

販売店の詳細

販売店名: _____

住所: _____

都市、郵便番号、国: _____

電子メールアドレス: _____

Monitor Audioは、予告なしに仕様を変更する権利を擁します。

仕様

モデル	Silver 50	Silver 100	Silver 200	Silver 300	Silver 500	Silver C150	Silver C350	Silver FX
システムの形式	2ウェイ	2ウェイ	2ウェイ	3ウェイ	3ウェイ	2ウェイ	3ウェイ	2ウェイ
周波数帯域 (-6dB)	52Hz - 35kHz	40Hz - 35kHz	38Hz - 35kHz	32Hz - 35kHz	30Hz - 35kHz	52Hz - 35kHz	40Hz - 35kHz	60Hz - 35kHz
感度 (1W@1M)	87dB	88dB	89dB	90dB	90dB	90dB	90dB	87dB
名目インピーダンス	8 Ohms	8 Ohms	8 Ohms	8 Ohms	8 Ohms	8 Ohms	8 Ohms	8 Ohms
最小インピーダンス	4.1 Ohms @20 Hz	4.5 Ohms @167 Hz	4.7 Ohms @82 Hz	3.5 Ohms @146 Hz	3.1 Ohms @2.45 kHz	3.7 Ohms @193 Hz	3.2 Ohms @176 Hz	4.0 Ohms @229 Hz
最大 SPL	110dB(A (ベア))	112dB(A (ベア))	114dB(A (ベア))	116dB(A (ベア))	117dB(A (ベア))	112 dB(A	113 dB(A	110dB(A (ベア))
電力処理 (R.M.S.アット)	100W	120W	150W	200W	250W	150W	200W	85W
推奨アンプ要件 (R.M.S)	40 - 100W	40 - 120W	60 - 150W	80 - 200W	80 - 250W	60-150W	80 - 200W	30-85W
ベースアライメント	バスレフHive IIポートシステム	バスレフHive IIポートシステム	ディフュージョンシールドシステム グレイチングアルチメイト スリットシステム	バスレフツイーンHive IIポートシステム	バスレフツイーンHive IIポートシステム	シールドキャビネット	シールドキャビネット	シールドキャビネット
クロスオーバー周波数	3.0 kHz	2.8 kHz	LF: 700 Hz MF/HF: 2.9 kHz	LF/MF: 570 Hz MF/HF: 3.5 kHz	LF/MF: 625 Hz MF/HF: 3.1 kHz	LF: 650 Hz MF/HF: 3.1 kHz	LF/MF: 830 Hz MF/HF: 3.2 kHz	2.5 kHz
ドライブレユニット補完機器	1 x 5 1/4" RST 低域/中域ドライバ 1 x 5 1/4" RST 中域ドライバ 1 x 1" (25 mm) コールドーム —AC-CAM ツイーター	1 x 8" RST 低域/中域ドライバ 1 x 4" RST 中域ドライバ 1 x 1" (25 mm) コールドーム —AC-CAM ツイーター	1 x 5 1/4" RST 低域ドライバ 1 x 5 1/4" RST 中域ドライバ 1 x 1" (25 mm) コールドーム —AC-CAM ツイーター	2x 6" RST 低域ドライバ 1 x 4" RST 中域ドライバ 1 x 1" (25 mm) コールドーム —AC-CAM ツイーター	2x 8" RST 低域ドライバ 1 x 4" RST 中域ドライバ 1 x 1" (25 mm) コールドーム —AC-CAM ツイーター	2x 5 1/4" RST 低域/中域ドライバ 1 x 1" (25 mm) コールドーム —AC-CAM ツイーター	2x 6" RST 低域ドライバ 1 x 4" RST 中域ドライバ 1 x 1" (25 mm) コールドーム —AC-CAM ツイーター	1 x 6" RST 低域/中域ドライバ 1 x 4" RST 中域ドライバ 1 x 1" (25 mm) コールドーム —AC-CAM ツイーター
キャビネット (付添グリル、タミナル、アウトカプラーを省く) (高さ x 幅 x 奥行)	270 x 165 x 240 mm 10.38 x 6.12 x 9.716"	375 x 230 x 300 mm 14.34 x 9.116 x 11.1516"	885 x 165 x 240 mm 34.1316 x 6.12 x 9.716"	1000 x 185 x 300 mm 39.38 x 7.316 x 11.1516"	1050 x 230 x 300 mm 41.316 x 9.116 x 11.1516"	165 x 450 x 200 mm 6.12 x 17.116 x 7.796"	235 x 360 x 240 mm 9.14 x 22.116 x 9.716"	250 x 310 x 130 mm 9.1316 x 12.316 x 5.116"
外部寸法 (グリルとターミナルを含む) (高さ x 幅 x 奥行)	270 x 165 x 269 mm 10.38 x 6.12 x 10.916"	375 x 230 x 329 mm 14.34 x 9.116 x 12.1516"	885 x 165 x 269 mm 34.1316 x 6.12 x 10.916"	1000 x 185 x 329 mm 39.38 x 7.316 x 12.1516"	1050 x 230 x 329 mm 41.316 x 9.116 x 12.1516"	165 x 450 x 229 mm 6.12 x 17.116 x 9.116"	235 x 360 x 270 mm 9.14 x 22.116 x 10.916"	250 x 322 x 147 mm 9.1316 x 12.116 x 5.1316"
外部寸法 (アウタープレートと脚部を含む) (高さ x 幅 x 奥行)	該当なし	該当なし	918 x 222 x 307 mm 36.118 x 8.716 x 12.116"	1034 x 252 x 367 mm 40.118 x 9.1316 x 14.116"	1083 x 297 x 367 mm 42.38 x 11.116 x 14.116"	該当なし	該当なし	該当なし
重量 (各)	6 kg	9.3 kg	14.6 kg	20 kg	22.8 kg	9.1 kg	14.9 kg	4.3 kg



يتم توفير التشطيبات المختارة مع طوقا الرغوة على خارج تزوير، يرجى التأكد من وضع هذا الجانب على مجلس الوزراء.

بالنسبة للأرضيات الخشبية/الصلبة (الطرز Silver 200 و300 و500 فقط)

يتم توفير الأقدام و"أذرع التمديد" مُجمّعة للاستخدام على الأرضيات غير المفروشة بالسجاد أو الأرضيات الخشبية أو الصلبة أو حيثما يكون استخدام المسامير المدببة مناسبًا. كل ما هو مطلوب هو تثبيتها على قاعدة السماعة باستخدام المسامير المرفقين (أ و ب).

يمكنك التحقق من أن السماعة موضوعة بشكل مستوٍ على جميع الجوانب باستخدام ميزان التسوية (ميزان الماء). وإذا كانت مائلة بعض الشيء، فقم بفك القدم عند أدنى نقطة وتحقق مرة أخرى. واستمر في هذه العملية حتى يتم وضع الصندوق في وضع مستوٍ تمامًا. واستخدم صواميل القفل الموجودة على كل قدم لتثبيت الأقدام في مكانها ووقف أي اهتزازات غير مرغوب فيها.

بالنسبة للأرضيات المفروشة بالسجاد (الطرز Silver 200 و300 و500 فقط)

إذا كان يتم تثبيت السماعة على أرضية مفروشة بالسجاد، فثبت المسامير المدببة في مجموعة الأقدام "وأذرع التمديد". وثبتها على قاعدة السماعة باستخدام المسامير المرفقين (أ و ب).

يمكنك التحقق من أن السماعة موضوعة بشكل مستوٍ على جميع الجوانب باستخدام ميزان تسوية (ميزان ماء). وإذا كانت مائلة بعض الشيء، فقم بفك القدم عند أدنى نقطة وتحقق مرة أخرى. واستمر في هذه العملية حتى يتم وضع الصندوق في وضع مستوٍ تمامًا. واستخدم صواميل القفل الموجودة على كل قدم لتثبيت الأقدام في مكانها ووقف أي اهتزازات غير مرغوب فيها.

يُرجى التأكد من عدم وجود أي أسلاك مخفية تحت السجادة يمكن أن تسبب المسامير المدببة في تلفها.



الإعداد

تحديد الوضع ثنائي القنوات

عند إعداد نظام ثنائي القناة، يجب أن يُشكّل وضع الاستماع ومكبرات الصوت مثلثًا متساوي الأضلاع. ويجب وضع السماعات بعيدة عن بعضها بحوالي 6 - 10 أقدام (1.8 - 3 أمتار). ويختلف بُعد المسافة المثالية عن الحائط الخلفي باختلاف السماعة (راجع القائمة التالية)؛ ومع ذلك، يجب أن تكون السماعات بعيدة عن الحوائط الجانبية بحوالي 3 أقدام (91 سم) كحد أدنى.

- الطراز Silver 50 بوصة (15 - 30 سم)
- الطرازان Silver 100 و200 بوصة (20 - 36 سم)
- الطرازان Silver 300 و500 بوصة (30 - 61 سم)

ملاحظة: هذه هي المسافات الموصى بها لتحقيق الأداء الأمثل. وسوف تختلف النتائج الفعلية باختلاف حجم الغرفة والبناء.

يُصح بشدة بإجراء تجربة عند الإعداد الأولي للسماعات، حيث تختلف البيئة والتفضيل الشخصي عند كل تركيب. وإذا وُجد صوت جهير غير كافٍ على سبيل المثال، فحاول تحريك السماعات بالقرب من الحائط. يوصى بالنهج المعاكس إذا وُجد صوت جهير زائد. راجع أيضًا المعلومات الواردة في الصفحة 86 التي تشير إلى سدادات المنفذ. في حالة عدم القدرة على تسجيل الصوت، حاول "تقريب" السماعات قليلاً. يجب أن يصدر الصوت من النقطة المركزية بين السماعات، وليس من السماعات الفعلية نفسها.

83	المسامير المدببة والأقدام
83	بالنسبة للأرضيات المفروشة بالسجاد
83	بالنسبة للأرضيات الخشبية/الصلبة
83	الإعداد
83	تحديد الوضع ثنائي القنوات
84	تحديد وضع AV
84	إعداد Silver FX
85	سماعات Atmos
85	تثبيت سماعة Silver FX على الحائط
86	توصيل الأسلاك
86	توصيل سلك واحد
86	توصيل سلكين
86	المضخم الثنائي
87	تأثيرات الأسلاك الثنائية والمضخمات الثنائية
87	سدادات المنافذ
88	تشغيل السماعات
88	ضبط مسامير التثبيت
88	الضمان
88	معلومات المالك
89	المواصفات

مقدمة

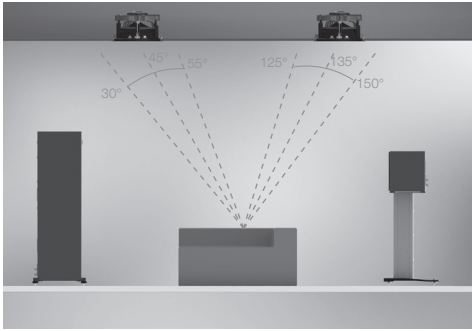
تدُخِل سماعة Silver Series الرائعة الآن جيلها السادس، وهي تُقدِّم تصميمًا متطورًا من خلال مجموعة السماعات بأكملها. وقد تم تطوير كل طراز منها ليجوز على إعجاب كل من عشاق الموسيقى وعشاق السينما المنزلية على نطاقٍ أوسع، مع الارتقاء بالأداء إلى مستوى جديد. وتتيح اثنتان من السماعات الوسطى الجديدة الآن إمكانية تجميع أنظمة المسرح المنزلي الأنيقة أو المنفصلة أو الكبيرة أو القوية. ويتسم الطرازان Silver 50 و Silver 200 بتصميم أصغر حجمًا، مما يُوفِّر مظهرًا جذابًا بدرجة كبيرة لمساحات المعيشة العصرية، فضلًا عن توفير نوع الأداء نفسه المتوقع من السماعات الأكبر حجمًا. ويمكن الجمع بين السماعات طراز Silver 50 وطراز Silver 200 والسماعة الوسطى طراز Silver C150 صغيرة الحجم، المتطابقة بشكلٍ متناغم والتميزية بصريًا، لتشكيل نظام متعدد القنوات وفائق الأداء صغير الحجم. وتتيح السماعة الوسطى طراز Silver C350 الآن القدرة على إنشاء نظام مسرح منزلي لا يُضحي بأي ميزات، يستند إلى السماعات من الطراز Silver 100 أو Silver 300 أو Silver 500.



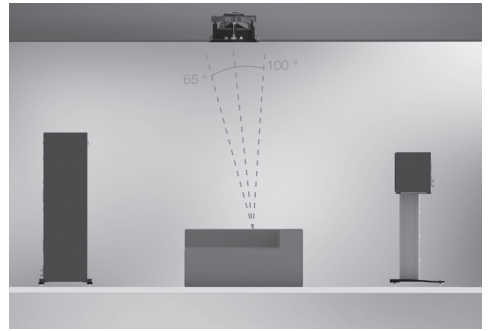
سماعات Atmos

عند تركيب نظام سماعات Atmos، نوصي باستخدام C265-IDC أو CPCT380-IDC لقنوات سماعات Atmos. وهذه السماعات مزودة بوحدة سماعة متوسطة المدى/مجهار (IDC (Inverted Dual Concentric) فريدة وقابلة للدوران حول محور توفر خصائص توزيع صوتي أكثر، كما أنها مثالية للقيام بمهام سماعات Atmos. يمكن العثور على مزيد من المعلومات حول كل من CPCT380-IDC و C265-IDC على موقع الويب الخاص بنا: monitoraudio.com

يُرجى مراجعة ما يلي للضبط المثالي لموضع سماعتين أو أربع سماعات.



4 سماعات Atmos (بالتوازي مع الجانب الأمامي الأيسر والأيمن)



سماعتا Atmos (بالتوازي مع الجانب الأمامي الأيسر والأيمن)

تثبيت سماعة Silver FX على الحائط

تنبيه: حدد دائمًا مكان تركيب سماعة Silver FX وهيكل الحائط. لأسباب تتعلق بالسلامة، في حال عدم تأكدك من قدرتك على توفير تثبيت مُحكم وآمن، لا تحاول تثبيت هذه السماعات على الحائط. بدلاً من ذلك، يُرجى الاستعانة بخدمات فني كفاء ومؤهل.



تنبيه: تأكد من أن مواسير المياه أو كابلات الكهرباء لا تمر خلف المكان الذي سيتم تثبيت لوح الحائط فيه. عليك البدء باتباع خطوات التأمين وتجنب الأسلاك المتعدية.



ملاحظة: لا توفر براغي التثبيت في الحائط والسدادات مع الطراز Silver FX. يُرجى استخدام التركيبات الملائمة فقط لنوع هيكل الحائط الذي سُنِّبَت السماعة طراز Silver FX عليه.



يأتي الطراز Silver FX مزودًا بكتاف بثقب مفتاح مثبتة بالصدوق، ونحن لا نوفر براغي التثبيت في الحائط والسدادات مع السماعات طراز FX. يُرجى استخدام التركيبات الملائمة لنوع هيكل الحائط الذي سُنِّبَت عليه السماعة طراز FX.

لتثبيت السماعة طراز FX بالحائط، ننصح باستخدام قالب التثبيت على الحائط المزود في عبوة التغليف الكرتونية.

تحديد وضع AV

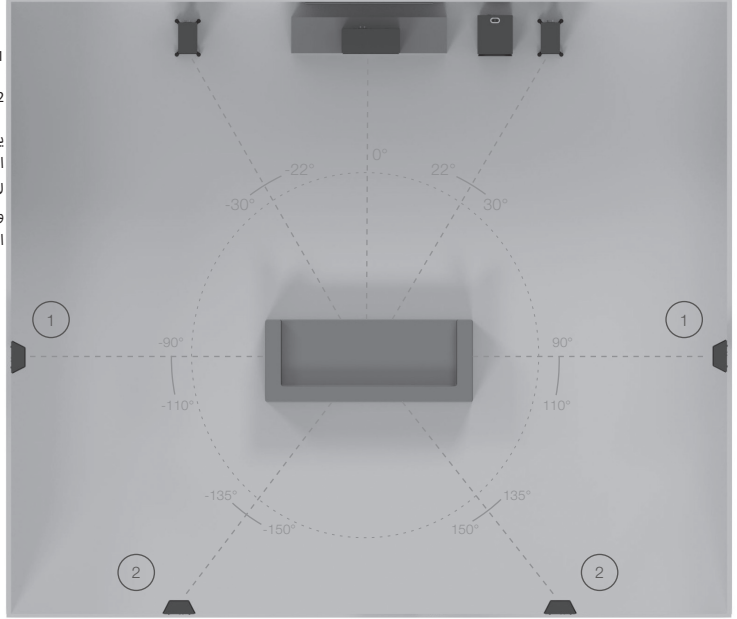
يُرجى الاطلاع على الرسوم التوضيحية التالية لمعرفة الزوايا والأوضاع المثالية لكل سماعة في النظام المحيط لديك. ويجب أن تبعد السماعات عن الحائط وفقًا لمتطلبات السماعة، الواردة في فقرة تحديد الوضع ثنائي القنوات (الصفحة 83).

إذا كان الصوت به جهر أكثر من اللازم أو في حالة زيادة الجهر من الغرفة أثناء تشغيل الموسيقى (دون وجود مكبر صوت)، فحاول تحريك مكبرات الصوت قليلاً بعيداً عن الحائط (الحوائط). إذا لم يكن ذلك ممكناً، فحاول استخدام سدادات المنفذ المرفقة. وإذا كان أي نظام مزوداً بمكبر صوت، فحاول ضبط إعدادات مستوى التردد الخاصة بالسماعات و/أو مكبر الصوت أو تغيير وضع مكبر الصوت.

يجب أن تكون سماعة القناة الوسطى Silver في وضع يجعلها تشير إلى وضع العرض وبارتفاع الأذن تقريباً.

ملاحظة: الصور التالية هي للأغراض التوضيحية فقط. في حالة استخدام Silver FX، يُرجى الرجوع إلى الصفحة 84.

1. سماعات جانبية محيطية
 2. سماعات خلفية محيطية
- يستفيد النظام المحيط 7.1 من السماعات الجانبية (الوضع 1) والخلفية (الوضع 2) لإنشاء عازل صوت كامل بزواوية 360 درجة، وإذا تم إعداد نظام 5.1، فيمكنك وضع الأنظمة المحيطية لديك في الوضع (1) أو (2).



إعداد Silver FX

يتميز الطراز Silver FX بأوضاع استماع ثنائية أو مزدوجة القطب. في الوضع ثنائي القطب، يكون المُشغّل والمجاهر كلها في الطور. في الوضع مزدوج القطب، يكون أحد المجاهر خارج الطور المخصص للمجاهر الرئيسي والمُشغّل الرئيسي لتوفير صوت منتشر. يجب تركيب السماعات FX على الحائط بحيث تكون أعلى من ارتفاع الأذن بقدمين.

مفتاح ثنائي القطب: عند ضبط جزء من أنظمة 5.1 مثل السماعة الخلفية، اضبط المفتاح على ثنائي القطب. وبالرغم من ذلك، فلا عيب في إجراء تجربة ومحاولة التشغيل في الوضع ثنائي القطب.

إذا كان جزء من نظام 7.1 مزوداً بزوج واحد من FX، فاضبط المفتاح على ثنائي القطب. وفي حالة استخدام زوجين من سماعات FX للمؤثرات الجانبية والخلفية، قم بضبطها كلها على الوضع ثنائي القطب وتبديل اتجاه سماعات FX الجانبية اليسرى واليمنى، مع الحفاظ على ضبط سماعات FX الخلفية في الاتجاه الصحيح (مطابقة اليسرى واليمنى مع القنوات اليسرى واليمنى الأمامية) كما هو موضح في الرسم التوضيحي في الصفحة 85.

ملاحظة: قبل ضبط أي مفاتيح، يُرجى التأكد من إيقاف تشغيل المضخم تماماً. وسيساعد هذا في حماية المضخم.



تأثيرات الأسلاك الثنائية والمضخمات الثنائية

في الأساس، يختلف تقاطع مكبر الصوت عن المقاومة التي تراها السماعة ومضخم الصوت. والوضع هو عند تطبيق إشارة موسيقية كاملة النطاق على أطراف نظام سماعات كامل النطاق، سيستقبل مُشغل (مُشغلات) الجهر إشارات التردد المنخفض فقط، بينما يستقبل المُشغل متوسط النطاق إشارات تردد النطاق المتوسط، ويستقبل المجر الإشارات عالية التردد فقط. ويعني هذا أنه إذا تم توصيل كابلات سماعة منفصلة بأطراف التردد المنخفض والعالي، لا يتم توجيه وحدات المُشغل والتردد وتقسيمها على الأطراف فحسب، ولكن سيحمل كابلا سماعة منفصلان أيضًا إشارات مختلفة، وعادة ما يكون كابل الجهر منخفض التردد، وعادة ما يكون كابل المجر عالي التردد.

بمجرد فصل الترددات العالية والمنخفضة بهذه الطريقة، لن تتفاعل نبضات التيار القوي وموجاته التي تتطلبها مُشغلات الجهر عند إنتاج الجهر أو النقر، مع الأصوات الرقيقة لآلة الفلوت أو الصنج.

في النظام السلكي الفردي، يظهر الرنين الكهربي والميكانيكي كشويه في كلتا مجموعتي أطراف السماعات. ونظرًا لمقاومة كابلات السماعة، لن يلغي مضخم الصوت هذا التشويش بالكامل. وبدلاً من ذلك، فإنه يزيد طبقة الصوت بين التقاطعين، ويخفض جودة الصوت. عند استخدام توصيل سلك ثنائي، يتم تقليل هذا التفاعل حيث "يظهر" تشويه الإشارة في خرج مضخم الصوت ويمكن إلغاءه بفاعلية أكبر. ومن ثم، يعرض المضخم الثنائي/توصيل السلك الثنائي إشارة "واضحة" على كل من أطراف السماعة ذات التردد المنخفض والتردد العالي، ولأنه تم فصل الترددات العالية والمنخفضة بالفعل، يكون لكل منها تأثير ضئيل على الطرف الآخر، الخلاصة لا تزيد طاقة الجهر عن الصوت الثلاثي الدقيق.

فيما يتعلق بالميزة المسموعة، يوفر المضخم الثنائي/توصيل السلك الثنائي المزيد من الوضوح والتفاصيل للترددات ذات المدى المتوسط والعالي. وغالبًا ما يصبح الجهر أسرع وأكثر إحكامًا، كما سيتم تحسين عملية التركيز والتدرج أيضًا. الخلاصة، يُعد هذا تحسينًا فعالًا للغاية ومرغوبًا فيه وتوصي به بشدة شركة Monitor Audio.

سدادات المنافذ



تحذير: يجب الحرص على عدم إدخال سدادات المنافذ بعيدًا للغاية داخل المنفذ، حيث قد يؤدي ذلك إلى فقدان السدادة الإسفنجية داخل الصندوق.

إذا كان سيتم تثبيت مكبر الصوت في غرفة صغيرة، عادة ما تكون 9 أمتار مربعة (80 قدمًا مربعة)، أو غرفة معروفة بإنتاج دقة لاستجابة عمق صوت، فيفضل استخدام سدادات المنافذ. ومع ذلك، يُنصح بإجراء تجربة مع موقع مكبر الصوت في الغرفة قبل تثبيت مكبر الصوت. ولتحسين أداء مكبر الصوت، من المهم التأكد من عدم وضع مكبر الصوت على مسافة قريبة للغاية من الحائط أو بالقرب من أركان الغرفة.

إذا كان قد تم تحديد موضع مكبر الصوت بشكل مسبق حسب جماليات الغرفة أو تخطيطها أو اكتشفت دقة عمق صوت أو في حالة ضرورة تثبيت السماعات في منطقة قريبة (أقل من الحد الأدنى للمسافات المقترحة في الصفحة 83) من حائط خلفي (مثل رف كتب، أو وضعها في خزنة أو حامل بالقرب من حائط)، نُوصي بتركيب سدادات المنافذ في المنافذ. حيث سيؤدي ذلك إلى الحد من الدقة "الجهر الزائد" ويطلق عليه أحيانًا البروز، ويساعد ذلك مكبرات الصوت على إنتاج أفضل أداء في ظل هذه الظروف البيئية. وعادة ما ينتج "الجهر الزائد" عندما تثير طاقة الجهر الناتج عن مكبر الصوت أوضاع الغرفة وتنتج المزيد من الحدة عند تردد معين أو عددًا من الترددات.

عند تركيب سدادات المنافذ، لن ينخفض التمديد الإجمالي للجهر، ومع ذلك سينخفض خرج/طاقة الجهر حول توليف تردد المنفذ. ولهذا تأثير على خفض الجهر "الجهر الزائد" مع زيادة وضوح الجهر وسهولة ظهوره.

في جميع الأحوال، يوصى بشدة بالنجربة.

توصيل سلك واحد

يمكن توصيل سلك واحد عن طريق مجموعة واحدة من الكابلات وتوصيلها بأطراف التوصيل الموجودة في الجزء الخلفي من مكبر الصوت. يوجه تقاطع مكبر الصوت داخليًا الترددات إلى المُشغّل/المجهر الملائم. فتنجّه الترددات المنخفضة إلى مُشغلات الجهير، والترددات المتوسطة إلى مُشغلات المتوسطة/الجهير والترددات العالية للمجهر. من المقبول تمامًا توصيل أطراف التوصيل عالية التردد أو منخفضة التردد أو حتى بشكل مائل (يُنصح بالتجريب لتحقيق أفضل النتائج).



ملاحظة: عند استخدام هذه الطريقة، يجب الحفاظ على الوصلات الطرفية في مكانها.

توصيل سلكين

يمكن توصيل سلكين عن طريق توصيل زوجين منفصلين من كابلات السماع بأطراف التوصيل الموجودة على مكبر الصوت من زوج واحد من وصلات مضخم الصوت. في حالة Silver Series، يتم توصيل أطراف التوصيل منخفضة التردد بِمُشغّل (مُشغلات) الجهير وتوصيل أطراف التوصيل عالية التردد بالمجهر في مكبرات الصوت الثنائية أو متوسطة التردد والمجهر في مكبرات الصوت الثنائية إلى ثلاثية الاتجاهات أو الثلاثية الاتجاهات.



ملاحظة: عند استخدام هذه الطريقة، "يجب" إزالة الوصلات الطرفية.

المضخم الثنائي

يشبه المضخم الثنائي توصيل سلكين عدا أنه يمكنك إدخال مضخم آخر في المعادلة.

لتوصيل مضخم ثنائي، يجب عليك توصيل مجموعة من كابلات السماع بأطراف التوصيل العلوية الموجودة على مكبر الصوت من مضخم صوت واحد ومجموعة أخرى من كابلات السماع بأطراف التوصيل السفلية من مضخم الصوت الثاني.



ملاحظة: عند توصيل الأسلاك بهذه الطريقة، "يجب" إزالة الوصلات الطرفية.

تشغيل السماعات

قم بتشغيل السماعات عن طريق تشغيل موسيقى عادية بمستويات استماع منخفضة - متوسطة لمدة 50 - 70 ساعة تقريبًا. قد تجد أن الصوت سيستمر حتى يتحسن بعد مرور 70 ساعة.

يمكن أن يحدث ذلك طبيعيًا بمرور الوقت: كالنبض الفأخر يتحسن بمرور الوقت.

بدلاً من ذلك، إذا كنت ترغب في تشغيل السماعات باستمرار على الدائرة الكهربائية، فيمكنك تقليل مستوى الصوت المسموع عن طريق وضع السماعات وجهًا لوجه بحيث تمر محاذة المُشغلات/المجاهر مباشرة وتكون قريبة قدر الإمكان. ثم صل مضخم الصوت بالسماعات بحيث تكون واحدة في الوضع الطبيعي: الموجب بالموجب والسالب بالسالب (الأحمر بالأحمر والأسود بالأسود) والسماعة الأخرى خارج الوضع الطبيعي: المداخل الموجبة بالسالبة والسالبة بالموجبة في السماعة.

ضبط مسامير التثبيت

تمتع السماعة طراز Silver Series الجديدة بتثبيت المُشغل بصمولة واحدة لتقليل تآكل الصندوق. تعمل كل صمولة كدعامة صلبة، لكنها كذلك تلغي الحاجة لتكبيبات تثبيت المُشغل التقليدية، بفعالية حيث تفصل المُشغل عن الحاجز الأمامي من أجل التخلص من مصدر رنين إضافي.

ملاحظة: في حال ارتخاء هذه الصمولة مع مرور الوقت، أو تفككها أثناء النقل، حينئذ يُرجى استخدام المفتاح السداسي المرفق لإحكام ربط الصمولة مرة أخرى. ولا يحتاج هذا سوى ربع دورة بعد الشد باستخدام الصمولة.

الضمان

إن كلاً من صناعة هذا المنتج وأدائه مضمونان ضد عيوب التصنيع لمدة خمس سنوات من تاريخ الشراء (راجع الشروط المذكورة في كتيب تعليمات السلامة المهمة)، شريطة أن يكون المنتج مستورداً من خلال بائع التجزئة المرخص من Monitor Audio ويخضع لاتفاقية البيع للمستهلك.

وللتحقق من ضمان الشركة المصنعة، يُرجى زيارة نموذج التسجيل على الإنترنت على: monitoraudio.com

معلومات المالك

تفاصيل المنتج

الطراز: _____

الرقم التسلسلي للمنتج: _____

تاريخ الشراء: _____

تفاصيل الوكيل

اسم الوكيل: _____

العنوان: _____

المدينة، الرمز البريدي، البلد: _____

عنوان البريد الإلكتروني: _____

تحتفظ Monitor Audio بحقوقها في تغيير المواصفات دون إشعار.

Spis treści

Spis treści	90
Wstęp	90
Kolce i nóżki	91
Do ustawiania kolumn na dywanach	91
Do ustawiania na drewnianych podłogach	91
Ustawianie w pokoju	91
Zestaw dwukanałowy	91
Ustawienie w systemie AV (wielokanałowym)	92
Ustawianie Silver FX	92
Atmos	93
Montaż ścienny Silver FX	93
Kable	94
Pojedyncze kable	94
Bi-Wiring	94
Bi-Amping	94
Zalety Bi-Wiringu i Bi-Ampingu	95
Zatyczki portów	95
Wyrzewanie kolumn	96
Dokręcanie śruby mocującej przetwornik	96
Gwarancja	96
Informacje o właścicielu	96
Specyfikacje	97

Wstęp

Prezentujemy już szóstą generację znanej i uznanej serii Silver, wprowadzającą przełomowe rozwiązania do wszystkich modeli tej linii. Każdy model opracowywany był z myślą o przyciągnięciu uwagi zarówno miłośników systemów dwukanałowych, jak i fanów kina domowego, jednocześnie oferując nowy, jeszcze wyższy poziom grania. Dwie nowe kolumny centralne dają nabywcy możliwość budowy stylowego, dyskretnego, albo wręcz przeciwnie, wielkiego i potężnego systemu kina domowego. Modele Silver 50 oraz Silver 200 charakteryzują się niewielkimi rozmiarami, lepiej pasującymi do nowoczesnych wnętrz, a jednocześnie dostarczają dźwięk, którego oczekujemy od sporo większych konkurentów. Silver 50 i Silver 200 mogą być zestawione z kompaktową kolumną centralną Silver C150, doskonale spasowaną tonalnie, wizualnie dyskretną, by razem stworzyć zestaw kompaktowego systemu kina domowego oferującego dźwięk wysokiej klasy. Głośnik centralny Silver C350 natomiast daje możliwość budowy bezkompromisowego systemu kina domowego, zbudowanego na bazie modeli Silver 100, Silver 300 lub Silver 500.

Kolce i nóżki



Wybieraj wykończenia są dostarczane z uszczelką piankową na rufie, upewnij się, że ta strona jest umieszczona na obudowie.

Do ustawiania na drewnianych podłogach

(wyłącznie dla modeli Silver 200, 300 i 500)

Nóżki dostarczone z głośnikami należy użyć w przypadku gołych powierzchni nie pokrytych dywanem, podłóg drewnianych oraz o twardej strukturze. Należy je przymocować do podstawy głośnika za pomocą śrub (A i B)

By sprawdzić wypoziomowanie kolumny użyj poziomicy. Jeśli kolumna nie jest wypoziomowana wykręć nieco nóżkę po tej stronie, która jest najniższej i ponownie sprawdź wypoziomowanie. Powtarzaj tę czynność do momentu pełnego wypoziomowania kolumny. Użyj nakrętek kontrujących na każdej nóżce, aby zablokować je we właściwej pozycji i zablokować wszelkie niepożądane drgania.

Do ustawiania kolumn na dywanach

(wyłącznie dla modeli Silver 200, 300 i 500)

Jeżeli głośnik umiejscowiony jest na dywanie, przykręć kolce do podstawy nóżki. Całość przykręć do podstawy głośnika przy użyciu śrub (A i B)

By sprawdzić wypoziomowanie kolumny użyj poziomicy. Jeśli kolumna nie jest wypoziomowana wykręć nieco nóżkę po tej stronie, która jest st najniższej i ponownie sprawdź wypoziomowanie. Powtarzaj tę czynność do momentu pełnego wypoziomowania kolumny. Użyj nakrętek kontrujących na każdej nóżce, aby ją zablokować w we właściwej pozycji i likwidując w ten sposób niepożądane drgania.



Proszę się upewnić, że pod dywanem nie bieżą żadne przewody, które mogłyby zostać uszkodzone przez kolce kolumn.

Ustawianie w pokoju

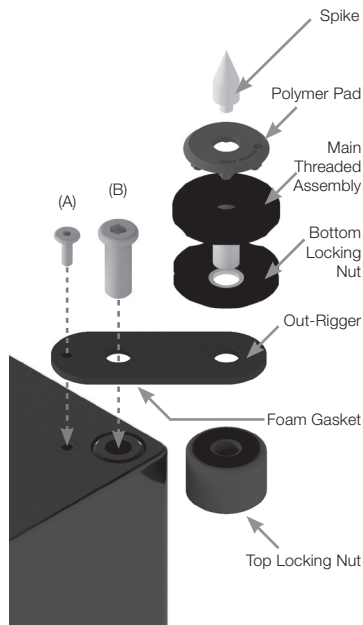
Zestaw dwukanałowy

W systemie dwukanałowym kolumny i miejsce odsłuchowe powinny tworzyć trójkąt równoboczny. Odległość między kolumnami powinna wynosić ok. 1.8 - 3m. Optymalna odległość od ściany za kolumnami różni się w zależności od modelu (zobacz listę poniżej), jednocześnie odległość od ścian bocznych nie powinna być mniejsza niż 91cm.

- Silver 50 15 - 30 cm
- Silver 100 & 200 20 - 36 cm
- Silver 300 & Silver 500 30 - 61 cm

UWAGA: To odległości rekomendowane by uzyskać optymalne brzmienie. Jednakże wyniki mogą się nieco różnić w zależności od wielkości pokoju i jego układu.

Rekomendujemy podjęcie prób znalezienia optymalnego ustawienia w każdym systemie, ponieważ każdy pokój jest inny, podobnie jak preferencje użytkownika. Jeśli np. ilość basu nie jest zadowalająca można spróbować ją zwiększyć przysuwając kolumny bliżej ściany. Jeśli basu jest za dużo spróbuj odsunąć kolumny nieco dalej od ściany. Sprawdź także informacje na stronie 95 dotyczące zatyczek do portów bas-refleksu. Jeśli masz zastrzeżenia do stereofonii prezentacji spróbuj nieco skrócić kolumny do środka. Dźwięk powinien dochodzić z centralnego punktu między kolumnami, a nie z samych kolumn.



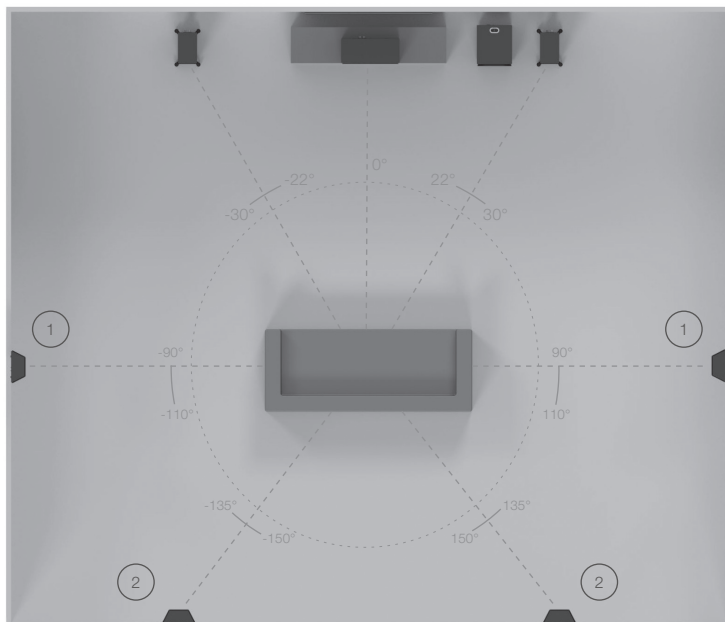
Ustawienie w systemie AV (wielokanałowym)

Sprawdź na umieszczonej poniżej ilustracji optymalne kąty i pozycje dla każdego głośnika w systemie wielokanałowym. Wszystkie kolumny powinny być ustawione w odpowiednich odległościach od ścian, dla ażeżdego modelu zgodnie z informacjami podanymi w sekcji dotyczącej systemów stereofonicznych (s. 91).

Jeśli w dźwięku jest za dużo basu bądź niskie częstotliwości wzbudzają się w pokoju podczas odtwarzania muzyki (bez subwoofera) spróbuj odsunąć kolumny nieco dalej od ściany (ścian). Jeśli nie jest to możliwe wypróbuj dołączone zestawy zatyczki do portów bas-refleksu. W systemach z subwooferem spróbuj zmienić częstotliwość podziału zwrotnicy dla kolumn i/lub subwoofera, lub przestaw subwoofer w inne miejsce.

Głośnik centralny Silver powinien być skierowany na miejsce odsłuchowe i umieszczony mniej więcej na wysokości uszu.

UWAGA: Poniżej umieszczamy ilustracje poglądowe. Jeśli używasz Silver FX zajrzyj na stronę 92.



1. Boczne głośniki surround
2. Tyłne głośniki surround

W systemie w układzie 7.1 wykorzystuje się boczne (pozycja 1) i tylne głośniki (pozycja 2) do stworzenia sceny w zakresie pełnych 360°.

Przy ustawianiu systemu 5.1 możesz ustawić swoje głośniki surround w pozycji (1) lub (2).

Ustawianie Silver FX

Głośniki surround Silver FX mogą pracować w trybie Di-Pole bądź Bi-Pole. W trybie Bi-Pole główny przetwornik i tweetery pracują w fazie. W trybie Di-Pole natomiast jeden z tweeterów pracuje w przeciwfazie do drugiego tweetera i głównego przetwornika dostarczając rozproszony dźwięk. Głośniki FX montuje się na ścianie ok 60cm powyżej poziomu uszu.

Przełącznik Di-Pole/ Bi-Pole: Gdy FX jest używany w systemie 5.1 jako tylny głośnik przełącz tryb pracy na Bi-Pole. Oczywiście to jedynie sugestia, możesz więc eksperymentować i sprawdzić jak zagra w trybie Di-Pole. W systemie 7.1 z parą FXów ustaw je do pracy w trybie Di-Pole. Jeśli używasz 2 par FXów jako boczne i tylne efekty, przełącz wszystkie na tryb Di-Pole i zamień lewy i prawy boczny głośnik miejscami, natomiast tylne pozostaw na swoich miejscach (tzn lewy i prawy zgodnie z lewym i prawym frontem) jak pokazano na ilustracji na stronie 93.



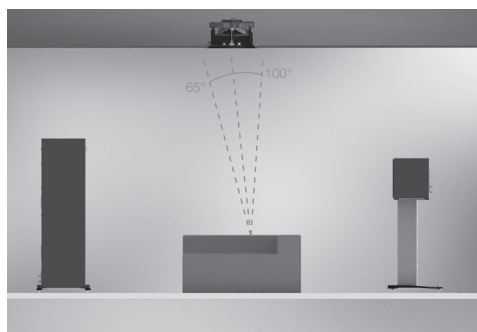
UWAGA: Przed przełączeniem trybu pracy któregośkolwiek FX'a upewnij się, że amplituner, do którego są podłączone, jest wyłączony, by nie doszło do jego uszkodzenia.



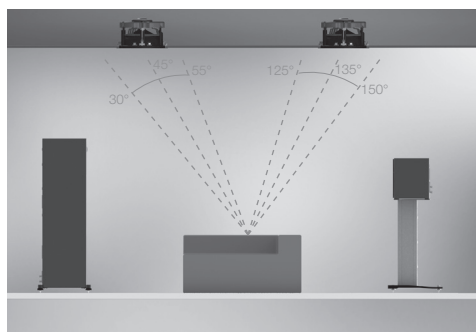
Atmos

Przy budowie systemu Atmos, dla kanałów Atmos sugerujemy wykorzystanie modeli C265-IDC lub CPCT380-IDC. Te głośniki wykorzystują nasze unikalne rozwiązanie IDC (Inverted Dual Concentric), czyli moduł średniowysokotonowy, który oferuje szerszą dyspersję dźwięku, przez co doskonale nadaje się do systemów Atmos. Więcej informacji na temat modeli C265-IDC i CPCT380-IDC znajdziesz na naszej stronie: monitoraudio.pl

Poniżej znajdziesz informacje o optymalnym ustawieniu 2 lub 4 głośników.



2 głośniki Atmos (w linii z lewym i prawym frontem)



4 głośniki Atmos (w linii z lewym i prawym frontem)

Montaż ścienny Silver FX



UWAGA: Zawsze rozpocznij od ustalenia gdzie mają być zamontowane głośniki Silver FX i na jakim rodzaju ścianie. Ze względów bezpieczeństwa, jeśli nie jesteś pewny czy potrafisz samodzielnie pewnie zamontować głośniki, nie próbuj tego robić. Zamiast tego skontaktuj się z wykwalifikowanym instalatorem i zleć mu wykonanie tej operacji.



UWAGA: Upewnij się, że w ścianie, w miejscu gdzie będzie instalowana płytką montażowa głośnika nie bieżną rury z wodą, ani przewody elektryczne. W czasie montażu korzystaj ze stabilnej drabinki.



UWAGA: W zestawie z głośnikami Silver FX nie dostarczamy śrub mocujących. Śruby musisz dobrać w zależności od rodzaju ściany, na której montujesz głośniki.

Głośniki Silver FX dostarczane są wraz z przymocowanymi do nich uchwytyami montażowymi. W zestawie nie dostarczamy natomiast śrub mocujących. Śruby musisz dobrać w zależności od rodzaju ściany, na której montujesz głośniki.

By sprawnie przeprowadzić montaż głośników FX do ściany sugerujemy wykorzystanie dołączonego w zestawie szablonu montażowego.

Kable

Pojedyncze kable

Do wykonania pojedynczego połączenia głośników wykorzystujemy zestaw dwóch pojedynczych kabli głośnikowych podłączonych do terminali umieszczonych na tylnej ścianie kolumny. Wewnątrz kolumny znajduje się zwrotnica, która kieruje odpowiednie częstotliwości do właściwych przetworników. Tyny niskie do przetworników basowych, średnie do nisko- średniotonowych, a wysokie do tweeterów.

Do połączenia możesz wykorzystać górną bądź dolną parę terminali, bądź podłączyć jeden kabel do górnego a drugi do dolnego terminala (eksperymentowanie jest wręcz wskazane by osiągnąć preferowane brzmienie).



UWAGA: Przy połączeniu pojedynczym kablem głośnikowym musisz pamiętać, by gniazda głośnikowe w kolumnach były połączone zworkami.

Bi-Wiring

Bi-wiring wykonuje się używając dwóch osobnych par kabli głośnikowych do połączenia podwójnych terminali umieszczonych na tylnej ścianie kolumny z pojedynczą parą złączy głośnikowych we wzmacniaczu. W przypadku głośników z serii Silver, dolna para gniazd głośnikowych dostarcza sygnał do przetwornika (przetworników) basowych, górna w konstrukcjach 2-drożnych do tweetera, a w 2,5 i 3-drożnych do przetwornika średnio- i wysokotonowego.



UWAGA: Przy tej metodzie połączenia zworki łączące gniazda głośnikowe w kolumnie MUSZĄ zostać usunięte.

Bi-Amping

Bi-amping jest podobny do bi-wiringu, z tym że pojawia się tu dodatkowy element w postaci drugiego wzmacniacza.

Przy bi-ampingu górną parę terminali głośnikowych w kolumnie łączy się jedną parą kabli głośnikowych z pierwszym wzmacniaczem, a drugą parę terminali kolumny kolejną parą kabli z drugim wzmacniaczem.



UWAGA: Przy tej metodzie połączenia zworki łączące gniazda głośnikowe w kolumnie MUSZĄ zostać usunięte.

Zalety Bi-Wiringu i Bi-Ampingu

Zasadniczo rolą zwrotnicy jest zmiana impedancji „widzianej” przez głośnik i przez wzmacniacz. Zadaniem zwrotnicy jest doprowadzenie do sytuacji, w której, gdy pełno-pasmowy sygnał muzyczny trafi do terminali głośnikowych pełnopasmowej kolumny, przetwornik(i) basowy otrzyma jedynie część sygnału w zakresie niskich częstotliwości, średniotonowy sygnał z zakresu średnicy, a tweeter jedynie wysokie częstotliwości. W praktyce w sytuacji gdy osobne kable głośnikowe są podłączone do terminali basowych, a osobne do średnio- wysokotonowych, oznacza to nie tylko, iż do każdego przetwornika dostarczany jest sygnał w odpowiednim zakresie częstotliwości, ale także, iż osobne kable głośnikowe przewożą nieco inny sygnał. Ten podłączony do terminali basowych będzie przesyłał głównie sygnał w zakresie niskich częstotliwości, z drugi kabel głównie wyższe częstotliwości.

Gdy w ten sposób rozdzielimy niskie i wyższe częstotliwości, wysoko-prądowe impulsy niezbędne dla woofersów basowych do odtworzenia np. perkusji czy gitary basowej nie będą oddziaływać na delikatniejsze dźwięki fletów, czy blach perkusji.

W przypadku połączenia pojedynczym kablem głośnikowym niechciane mechaniczne i elektryczne rezonanse objawiają się w postaci zniekształceń na obu zestawach terminali głośnikowych. W związku z własną impedancją kabli głośnikowych wzmacniacz nie jest w stanie całkowicie zlikwidować wspomnianych zniekształceń. Powoduje to powstawanie modulacji między dwoma częściami zwrotnicy a w efekcie degradację jakości dźwięku. Przy zastosowaniu bi-wiringu ta interakcja jest minimalizowana, ponieważ wzmacniacz „widzi” zniekształcenie sygnału na wyjściu i może je efektywnie wyeliminować. Biwiring i bi-amping zapewniają w ten sposób „czystszy” sygnał dostarczany zarówno do terminali basowych, jak i średniowysokotonowych, a ponieważ sygnały o niskich i wyższych częstotliwościach są już rozdzielone, każdy z nich ma jedynie minimalny wpływ na drugi – ujmując rzecz prościej, bas nie dominuje delikatnych wysokich częstotliwości.

Słyszalne zalety bi-wiringu/ bi-ampingu to czystsze, bardziej detaliczne tony wysokie i średnie. Często także i bas zyskuje na szybkości i zwartości. Także precyzja i przestrzenność prezentacji powinny się poprawić. Skorzystanie z opcji bi-wiringu/ bi-ampingu przynosi więc wymierne korzyści i dlatego jest rozwiązaniem rekomendowanym przez Monitor Audio.

Zatyczki portów



UWAGA: nie należy wpychać zatyczek zbyt głęboko do portów, ponieważ mogą one wpaść do środka obudowy.

Gdy kolumny grają w niewielkich pokojach o powierzchni rzędu 9 mkw bądź w pomieszczeniach, w których następuje wzbudzenie się niskich częstotliwości, niezbędne może być skorzystanie z zatyczek portów bas-refleksu. Rekomendujemy jednakże by rozwiązywanie problemu z basem rozpocząć od próby znalezienia lepszego ustawienia kolumn w pokoju, a zatyczki wykorzystać, dopiero gdy to rozwiązanie zawiedzie. Optymalizację ustawienia kolumn w pokoju należy rozpocząć od upewnienia się, iż nie stoją one zbyt blisko ścian bądź narożników pomieszczenia.

Jeśli konkretne ustawienie kolumn w pokoju jest wymuszone względami estetycznymi bądź układem pomieszczenia, w pomieszczeniu występuje podbicie niskich częstotliwości, albo kolumny muszą być ustawione blisko tylnej ściany (tzn. w odległości mniejszej niż wskazana dla każdego modelu na stronie 91 co może się zdarzyć na przykład w przypadku monitorów ustawionych w szafce, bądź na podstawie, ale blisko ściany), rekomendujemy włożenie zatyczek do portów b-r. W ten sposób powinno się udać wyeliminować podbity bądź przeciągnięty bas, co umożliwi kolumnom zaprezentowanie najlepszej jakości brzmienia, jaka jest możliwa w takich, trudnych warunkach. Podbicie basu powstaje zwykle wtedy, gdy energia basu generowanego przez kolumny wzbudza tzw. mody danego pomieszczenia akcentując określoną częstotliwość bądź częstotliwości. Włożenie zatyczek do portów b-r nie ograniczy rozciągnięcia pasma w dół, aczkolwiek zmniejszy energię/ilość dźwięku w okolicach częstotliwości, na które jest zestrojony dany port. W ten sposób zmniejszone zostanie słyszalne podbicie basu, a jego prezentację będziesz odbierał jako czystsza i żywsza.

Oczywiście sugerujemy eksperymentowanie we własnym zakresie w celu znalezienia optymalnego rozwiązania w danych warunkach akustycznych.

Wyrzewanie kolumn

Wyrzewanie kolumn powinno polegać na normalnym odtwarzaniu muzyki na niskich/średnich poziomach głośności przez ok. 50-70 godzin. Nawet po przekroczeniu 70 godzin użytkowania możesz obserwować dalszą poprawę jakości dźwięku.

Poprawa brzmienia następuje naturalnie z biegiem czasu – podobnie jak w przypadku wina, czas działa na korzyść nowych kolumn.

Drugą opcją jest ciągle wyrzewanie kolumn z zapętlonym odtwarzaniem muzyki przy niskim poziomie głośności. W tym celu możesz ustawić kolumny frontami do siebie tak blisko, jak to tylko możliwe (bez fizycznego stykania się obudów bądź przetworników). Następnie podłącz kolumny do wzmacniacza tak, by jedna była podłączona w fazie, czyli plus kolumny (czerwony) z plusem wzmacniacza a minus (czarny) z minusem, natomiast dla drugiej odwróć fazę, czyli połącz plus (czerwony) kolumny z minusem (czarnym) wzmacniacza, a minus z plusem.

Dokręcanie śruby mocującej przetwornik

W kolumnach nowej linii Silver wykorzystujemy mocowanie przetworników pojedynczą śrubą przechodzącą przez środek przetwornika, co pozwala zmniejszyć podbarwienia pochodzące od obudowy kolumny. Każda śruba działa jako element usztywniający obudowę, a jednocześnie pozwala uniknąć konieczności tradycyjnego sposobu montażu przetworników odsprężając głośnik od frontowej ścianki obudowy i eliminując w ten sposób kolejne źródło rezonansów.

UWAGA: Gdyby z czasem, w miarę używania doszło do poluzowania śruby mocującej, bądź nastąpiłoby to w trakcie transportu skorzystaj z dołączonego klucza imbusowego by dokręcić śrubę. Wystarczy ćwierć obrotu od momentu, gdy poczujesz opór.

Gwarancja

Na swoje produkty Producent oferuje 5-letnią gwarancję obowiązującą od daty zakupu (sprawdź warunki gwarancji oraz zalecenia dotyczące bezpieczeństwa znajdujące się w dołączonej książeczce), przy założeniu, że zakupu dokonano u autoryzowanego dystrybutora/dealera Monitor Audio.

By zweryfikować gwarancję producenta na zakupiony produkt odwiedź stronę z rejestracją produktów online na: monitordaudio.pl

Informacje o właścicielu

Dane produktu

Model: _____

Numer seryjny: _____

Numer wzmacniacza: _____

Data zakupu: _____

Dane sprzedawcy

Nazwa: _____

Adres: _____

Kod pocztowy: _____

E-mail: _____

Monitor Audio zastrzega sobie prawo do zmian w specyfikacji.

Specyfikacje

MODEL	Silver 50	Silver 100	Silver 200	Silver 300	Silver 500	Silver C150	Silver C350	Silver FX
Konstrukcja	2 - drożna	2 - drożna	2 1/2 drożna	3 - way	3 - way	2 1/2 way	3 - way	2 - way
Pasmo przenoszenia (-6dB)	52Hz - 35kHz	40Hz - 35kHz	38Hz - 35kHz	32Hz - 35kHz	30Hz - 35kHz	52Hz - 35kHz	40Hz - 35kHz	60Hz - 35kHz
Skuteczność (1W@1M)	87dB	88dB	89dB	90dB	90dB	90dB	90dB	87dB
Nominalna Impedancja	8 Ohm	8 Ohm	8 Ohm	8 Ohm	8 Ohm	8 Ohm	8 Ohm	8 Ohm
Minimalna Impedancja	4,1 Ohm @ 220Hz	4,5 Ohm @ 167Hz	4,7 Ohm @ 182Hz	3,5 Ohm @ 146Hz	3,1 Ohm @ 245kHz	3,7 Ohm @ 193Hz	3,2 Ohm @ 176Hz	4,0 Ohm @ 229Hz
Maksymalna S.P.L	110 dBa (para)	112 dBa (para)	114 dBa (para)	116 dBa (para)	117 dBa (para)	112 dBa	113 dBa	110 dBa (para)
Moc (R.M.S)	100W	120W	150W	200W	250W	150W	200W	85W
Rekomendowana moc wzmacniacza (R.M.S)	40 - 100W	40 - 120W	60 - 150W	80 - 200W	80 - 250W	60-150W	80 - 200W	30-85W
Konstrukcja obudowy	Bass-refleks Wyjot bass-refleksu typu HiVe II	Bass-refleks Wyjot bass-refleksu typu HiVe II	Dwukomorowy układ bass-refleksu Dwa wyjoty bass-refleksu typu HiVe II	Bass-refleks Dwa wyjoty bass-refleksu typu HiVe II	Bass-refleks Dwa wyjoty bass-refleksu typu HiVe II	Obudowa zamknięta	Obudowa zamknięta	Obudowa zamknięta
Punkty podziału zwrotnicy	3,0kHz	2,8kHz	LF: 7,00Hz MF/HF: 2,9kHz	LF/MF: 5,70Hz MF/HF: 3,1kHz	LF/MF: 6,25Hz MF/HF: 3,1kHz	LF: 650Hz MF/HF: 3,1kHz	LF/MF: 830Hz MF/HF: 3,2kHz	2,5kHz
Zestaw przetworników	1 x 5 1/4" RST Przetwornik średnio-niskotonowy 1 x 1" (25 mm) Złota kopułka wysokotonowa C-CAM	1 x 8" RST Przetwornik średnio-niskotonowy 1 x 1" (25 mm) Złota kopułka wysokotonowa C-CAM	1 x 5 1/4" RST Przetwornik basowy 1 x 5 1/4" RST Przetwornik średnio-niskotonowy 1 x 1" (25 mm) Złota kopułka wysokotonowa C-CAM	2x 6" RST Przetwornik basowy 1 x 4" RST Przetwornik średnio-niskotonowy 1 x 1" (25 mm) Złota kopułka wysokotonowa C-CAM	2x 8" RST Przetwornik basowy 1 x 4" RST Przetwornik średnio-niskotonowy 1 x 1" (25 mm) Złota kopułka wysokotonowa C-CAM	2x 5 1/4" RST Przetwornik średnio-niskotonowy 1 x 1" (25 mm) Złota kopułka wysokotonowa C-CAM	2x 6" RST Przetwornik basowy 1 x 4" RST Przetwornik średnio-niskotonowy 1 x 1" (25 mm) Złota kopułka wysokotonowa C-CAM	1 x 6" RST Przetwornik średnio-niskotonowy 2 x 1" (25 mm) Złota kopułka wysokotonowa C-CAM
Wymiary obudowy (bez maskownic, terminali głośnikowych i wysięgników) (W x S x G)	270 x 165 x 240mm 10,58 x 6,52 x 9,77"*	375 x 230 x 300mm 14,76 x 9,11 x 11,81"*	885 x 165 x 240mm 34,81 x 6,52 x 9,77"*	1000 x 185 x 300mm 39,37 x 7,31 x 11,81"*	1050 x 230 x 300mm 41,34 x 9,11 x 11,81"*	165 x 450 x 200mm 6,52 x 17,71 x 7,87"*	235 x 560 x 240mm 9,25 x 22,11 x 9,77"*	250 x 310 x 130mm 9,84 x 12,31 x 5,12"*
Zewnętrzne wymiary (wraz z maskownicami i terminalami głośnikowymi) (W x S x G)	270 x 165 x 269mm 10,58 x 6,52 x 10,61"*	375 x 230 x 329mm 14,76 x 9,11 x 12,91"*	885 x 165 x 269mm 34,81 x 6,52 x 10,61"*	1000 x 185 x 329mm 39,37 x 7,31 x 12,91"*	1050 x 230 x 329mm 41,34 x 9,11 x 12,91"*	165 x 450 x 229mm 6,52 x 17,71 x 9,11"*	235 x 560 x 270mm 9,25 x 22,11 x 10,61"*	250 x 322 x 147mm 9,84 x 12,71 x 5,81"*
Zewnętrzne wymiary (wraz z wysięgnikami, nożkami i kociami) (H x W x D)	N/A	N/A	918 x 232 x 307mm 36,18 x 9,18 x 12,11"*	1034 x 252 x 367mm 40,71 x 9,93 x 14,45"*	1083 x 297 x 367mm 42,58 x 11,73 x 14,45"*	N/A	N/A	N/A
Waga (szuki)	6kg	9,3kg	14,6kg	20kg	22,8kg	9,1kg	14,9kg	4,3kg



Monitor Audio Ltd.
24 Brook Road
Rayleigh, Essex
SS6 7XJ
England

Tel: +44 (0)1268 740580
Fax: +44 (0)1268 740589
Email: info@monitoraudio.co.uk
Web: monitoraudio.com

**Designed & Engineered in the United Kingdom
Made In China**

Version 2. 2017