

UB5 BOOKSHELF SPEAKERS

UF5 FLOORSTANDING SPEAKERS

UC5 CENTER CHANNEL SPEAKER

OPERATING INSTRUCTIONS

Safety Instructions

1. General information

- Please read and follow these safety instructions.
- Keep them safe for future reference.
- Observe all warnings on the speaker and in the manual. Please check the speaker for damage before use. The speaker must be in perfect working condition. Damaged parts may lead to personal injury.

2. Use only as directed

- Connect the speaker(s) according to the instructions in the manual.
- Many ELAC speakers are equipped with spikes and/or anti-slip feet. They are explicitly provided for levelling the speaker. For levelling on an uneven floor, unscrew the spikes or anti-slip feet by 2-3 turns of thread. The speaker should always be in perfect vertical alignment: the stability of the speaker must not be compromised by using spikes or anti-slip feet as the speaker may tip-over.

3. Location

- Install the speakers on a level surface only
- When choosing the location of these speakers do not place them in locations that are:
 - In direct sunlight
 - Very humid
 - Prone to vibrations
 - Exceptionally hot or cold
 - Near CRT Televisions (the speakers are not magnetically shielded and may cause color issues with a CRT based TV)
 - Close to magnetic cards (Since the speakers are not magnetically shielded placing magnetic cards such as credit cards or commuter cards may cause them to fail).

WARNING! Please ensure the product is perfectly stable to avoid injury from tip-over. Please note, that stability can be increased by using spikes on carpeted surfaces. However, the mounting of spikes must be carried out carefully due to their very sharp ends which may cause injuries. The stability on slippery floors can be increased by using Velcro fastening tape or double-sided adhesive tape. Do not install the speaker near any heat sources such as radiators, heating valves, stoves, or other apparatus (including amplifiers) that produce heat, or in areas where there is a risk of explosion.

- Do not block any ventilation openings. Install in accordance with the manufacturer's instructions.
- Do not install the speaker in a closed rack or in a closed cupboard.
- Do not put burning candles on or near the speaker.
- Do not install the speaker near transformers because electromagnetic stray fields can cause hum noise on woofers.
- In combination with certain materials / lacquers / material surfaces, anti-slip feet or spike washers may cause colored imprints on the surfaces.

4. Overload

Extreme overload of the device due to very high volume may cause damage to individual components. Because of the possible danger, you should never leave loudspeakers under extreme overload conditions unattended.

5. Service

DANGER! Do not open the cabinet because the components and conductors may carry current! Servicing to be carried out by qualified service personnel only.

Servicing is required when the loudspeaker has been damaged in any way, such as damage to the power supply cord or the plug, or when liquid has been spilled or objects have fallen onto the loudspeaker, the speaker has been exposed to rain or moisture, does not operate normally, or has been dropped. To reduce the risk of electric shock, do not open the loudspeaker. Servicing should be carried out by qualified service personnel only.

6. Cleaning

NOTE: Clean only with soft, smooth cloth or with dust brush. Do not use scouring agents, alcohol, benzene, furniture polish or other agents for cleaning! Modern furniture is often coated with multiple varnishes and plastics which can be treated with chemical agents. Some of these agents contain substances which degrade or soften the rubber feet. Therefore we advise that you place an anti-slip mat underneath the loudspeaker(s).

7. Volume

CAUTION! Continuous high volume may cause severe damage to your hearing. Please listen responsibly.

8. Disposal

The packaging is made from recyclable materials. Dispose of this in an environmentally friendly manner. At end of life do not dispose of the speaker(s) with standard household waste. The speaker must be recycled in accordance with local legislation. Ask your local government for further information on recycling as the device contains valuable raw materials. Disable the speaker(s) before disposal.

Philosophy

Thank you for purchasing this ELAC product.

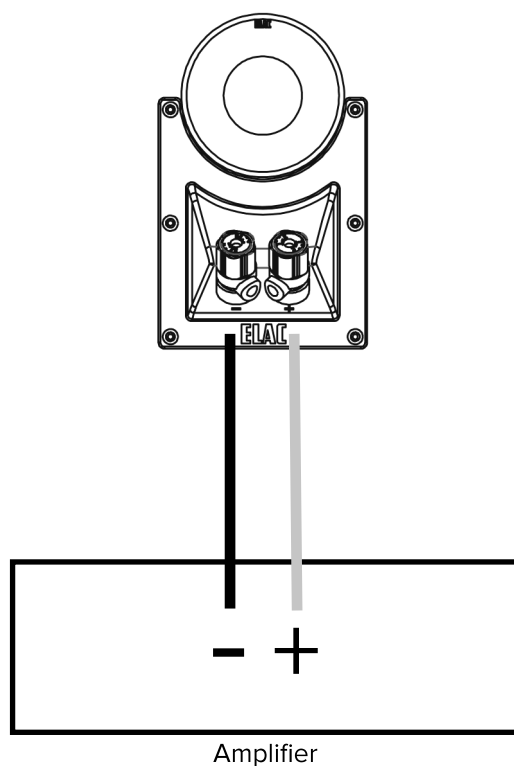
Since the time we started (1926), ELAC has always striven to achieve the very best.

Your new ELAC speakers are built to the highest standards using high-quality components that are carefully constructed to deliver the best-in-class sound quality. They are developed by a passionate group of individuals whose soul purpose is to bring a new dimension of sound quality into your home. Enjoy!

Before Use

Avoid damage to the speakers and other components:

- Carefully unbox the speakers carefully to avoid physically damaging your speakers.
- Use appropriate gauge wires (minimum of 16 gauge wire for runs up to 25 feet).
- Make sure wire polarity is connected correctly. Most speaker cables are coded for ease of use. Make sure positive (red) connection on the amplifier terminal is connected to the positive (red) on your speakers. Follow the same instructions for the negative side. Strip off approximately 1/2" of the insulation from the ends of the speaker cable, twist the bare strands and insert into the binding post.
- Ensure your equipment is turned off before connecting speakers.
- Check to ensure positive and negative wires are not touching each other once they're connected to the speaker terminals.



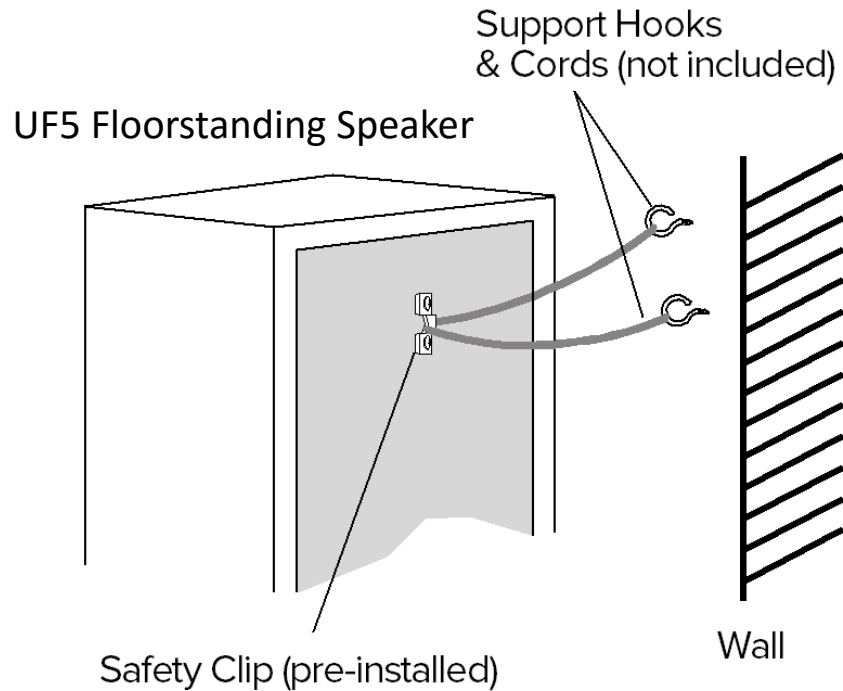
Installing and Removing the Magnetically Attached Grills

The mesh grills of your Uni-Fi speakers are designed to be removable if desired. To remove it, hold the top or bottom edges of the grill and pull gently. To replace the grill, place the grill in the normal position on the cabinet and the magnets will hold the grill in place.

IMPORTANT!

ELAC UF5 Floorstanding Speakers Safety Clip

The ELAC UF5 Floorstanding speakers include a safety clip pre-installed on the back of the cabinet for securing to a wall to prevent tip-over. Use support hooks (not included) screwed into a wall and pass appropriate size cord (not included) around the hook and through the safety clip. Test to ensure mounted hooks and cord will prevent tipping of the speaker.



CAUTION:

The safety clip is not a mounting fixture and the speaker should not be hung on the wall using the clip. ELAC does not claim responsibility for damage resulting from improper assembly, installation, insufficient strength of the installation materials, misuse, or natural disasters.

Outrigger Feet & Spike Installation (UF5 Only)

Using the included outrigger feet provide a wider support base for the speaker cabinet. The included spikes improve stability on uneven surfaces and thickly carpeted floors. Please use caution when dealing with the spikes as they are sharp.

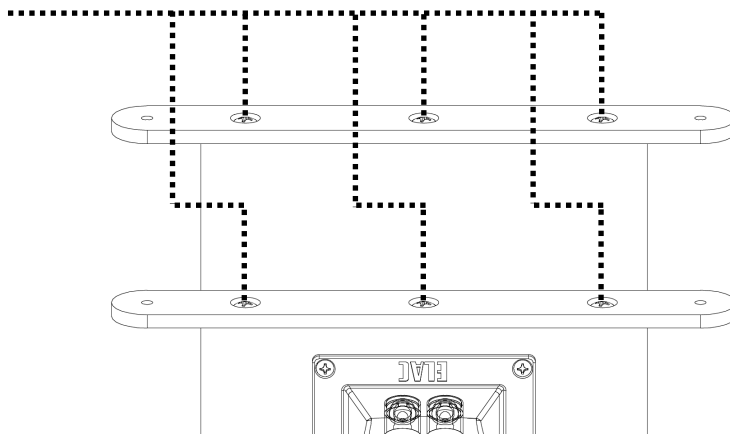
IMPORTANT: When using these spikes on hard surfaces such as wood or tile floors be sure to use the provided floor discs to protect your floor from damage.

1

IMPORTANT: In order to prevent scratching or damage to the cabinet, turn the speaker upside down onto a soft surface while you attach the outrigger feet and spikes. We highly recommend a second person help with this process.

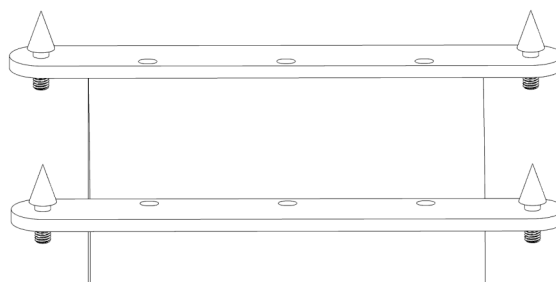
2

Attach the outrigger plates with the provided machine screws.



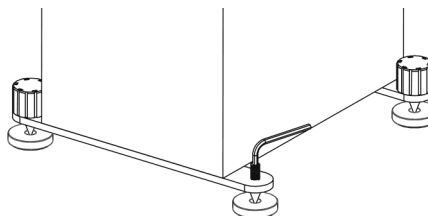
3

Screw in the spikes as shown in the picture to the right. The speaker can now be turned back over. Please be careful when handling the speaker with the spikes installed. If you have hard wood or tile floors please use the provided floor discs.



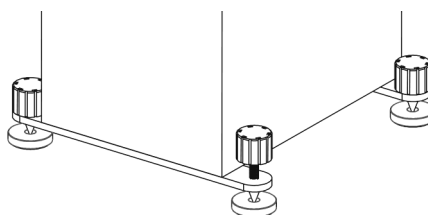
4

Using the supplied allen wrench adjust the height of the spikes until the speaker sits level and all four spikes are touching the floor.



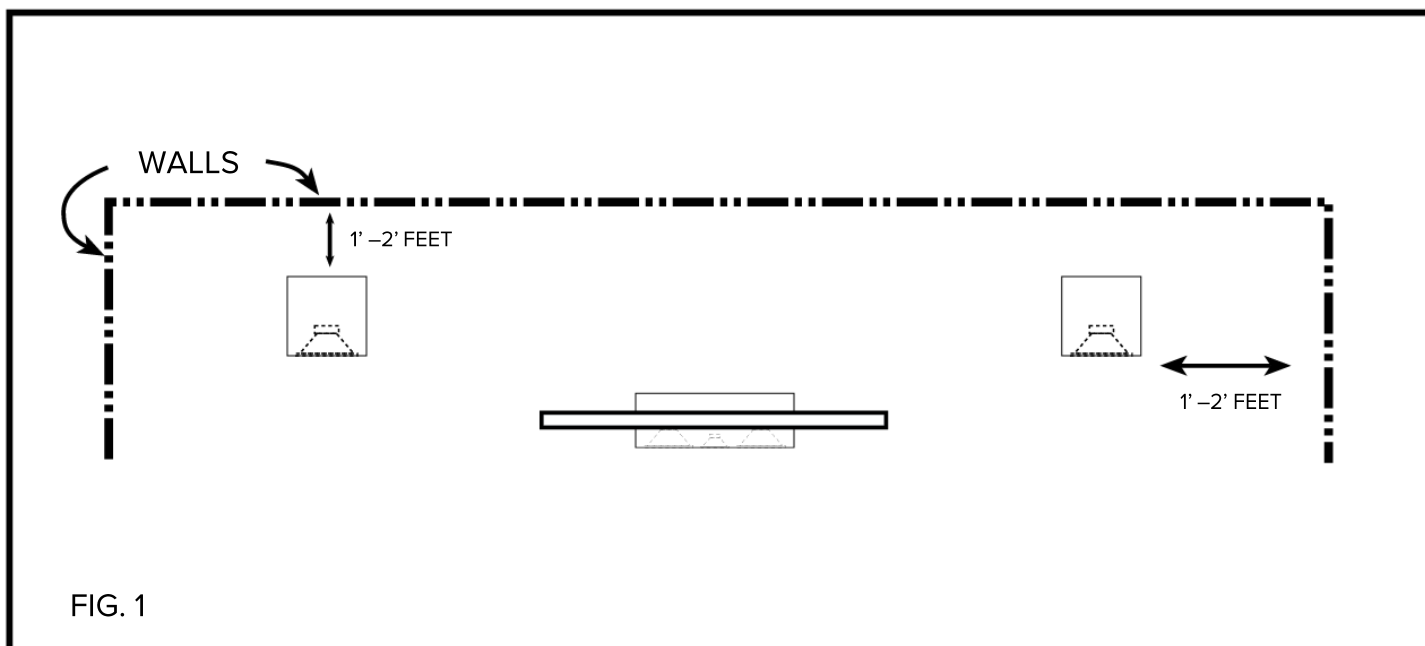
5

Once the speaker is level, use the supplied covers to lock the spikes into place.



Speaker Placement

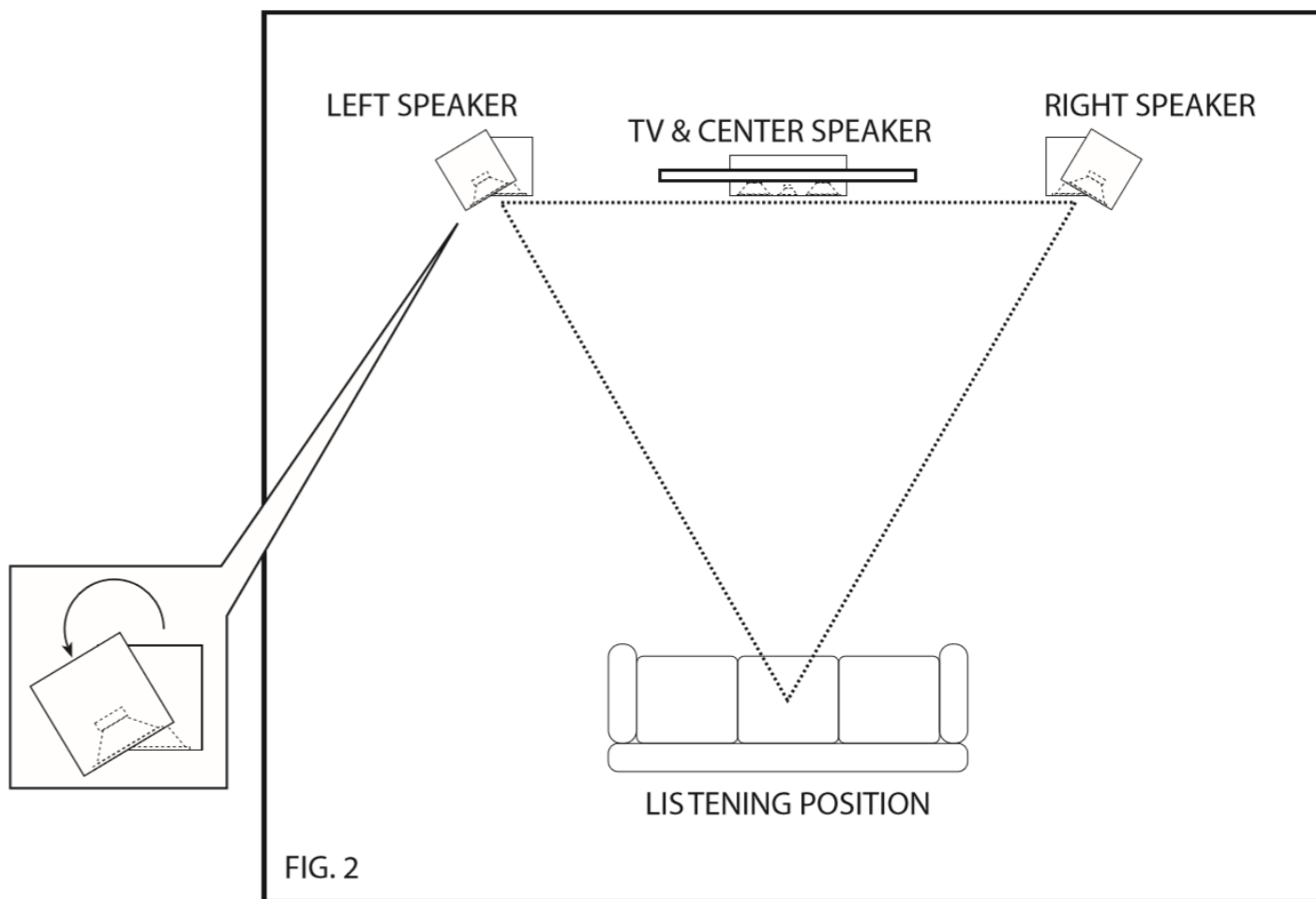
Achieve maximum performance and optimal sound quality from your ELAC Uni-Fi speakers with proper speaker placement and set-up. While not all rooms are the same, use the following guidelines to configure the speakers for your particular room. There are no “exact” rules or boundaries in setting up your speakers but the following suggestions will help optimize your desired results. Remember the best sound set-up is what sounds best for you so don’t be afraid to experiment and make adjustments to the placement and directivity of the speakers.



Place the speakers approximately one to two feet away (fig. 1) from boundaries such as wall(s) and especially corners. Close proximity to a side or rear wall will enhance bass performance (output), but being too close (particularly to a corner) may result in bass that is unnatural. If a corner location is unavoidable, try to position the loudspeaker so that the distance to the rear wall is not equal to the distance to the side wall.

Stereo Setup

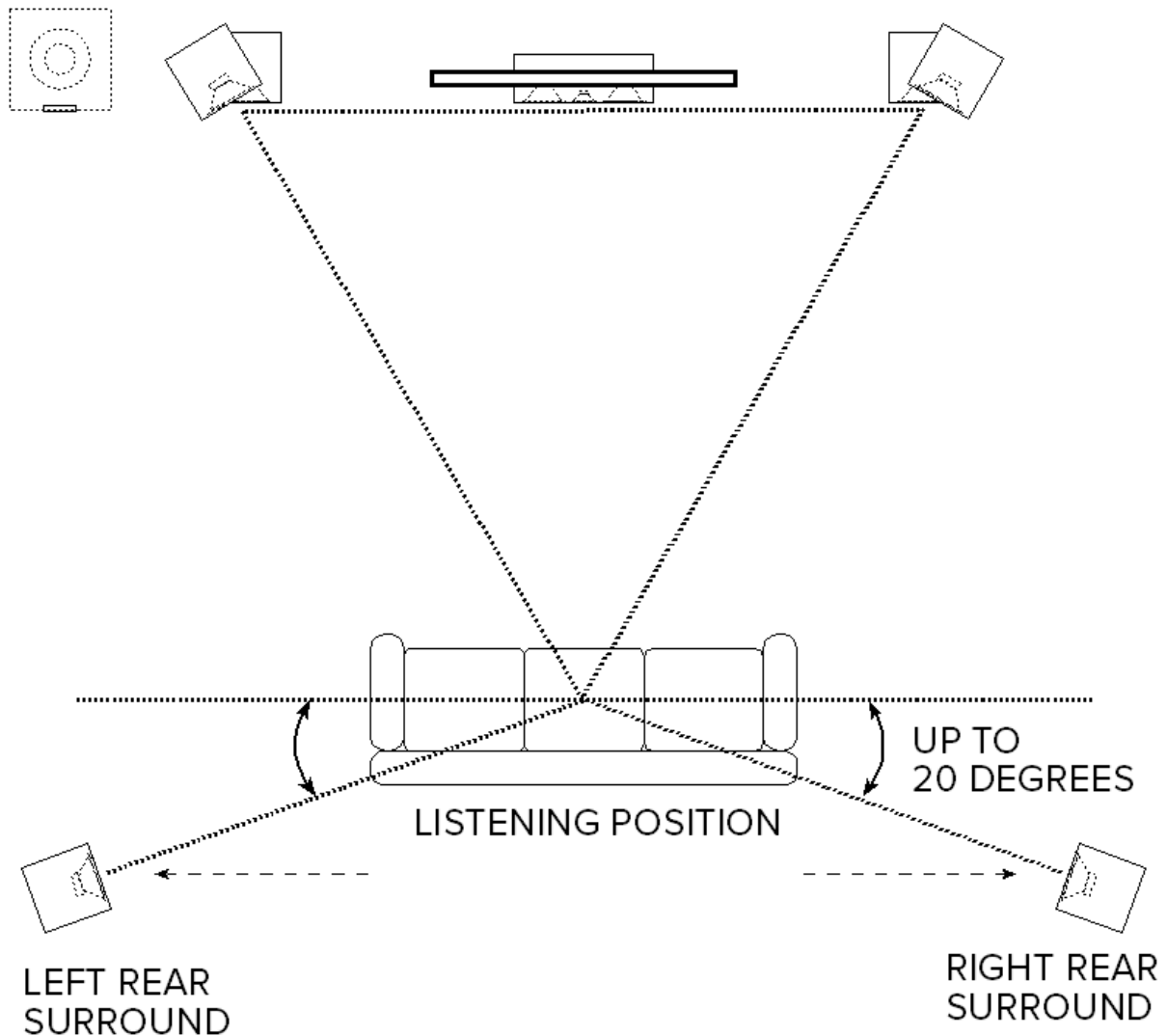
- For the best results and the most realistic stereo image and lifelike sound, place the speakers so that an equilateral triangle (fig. 2) is created between the speakers and your favorite listening position. This set up creates the optimum imaging performance.
- If you find that your UB5 or UF5 left and right speakers are too far apart, angle (toe in) them towards the listening position to gain a more focused central image .



2-CHANNEL STEREO SETUP

Surround Sound Setup

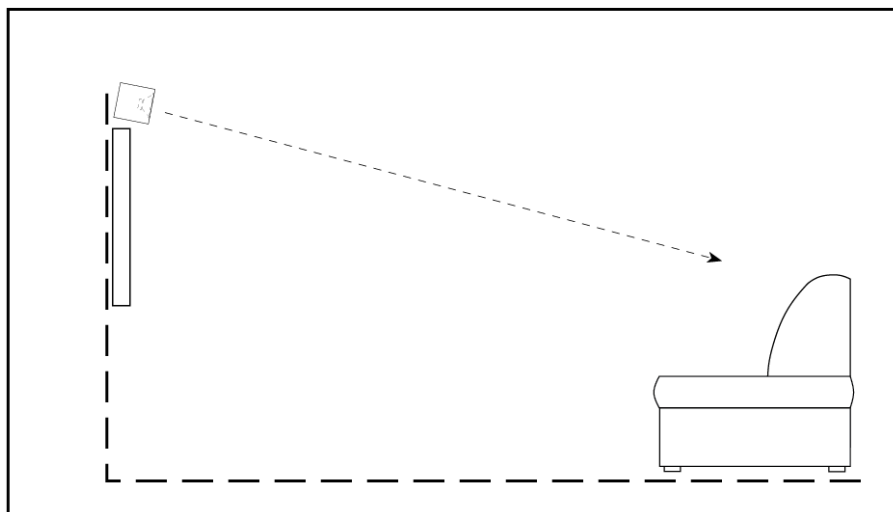
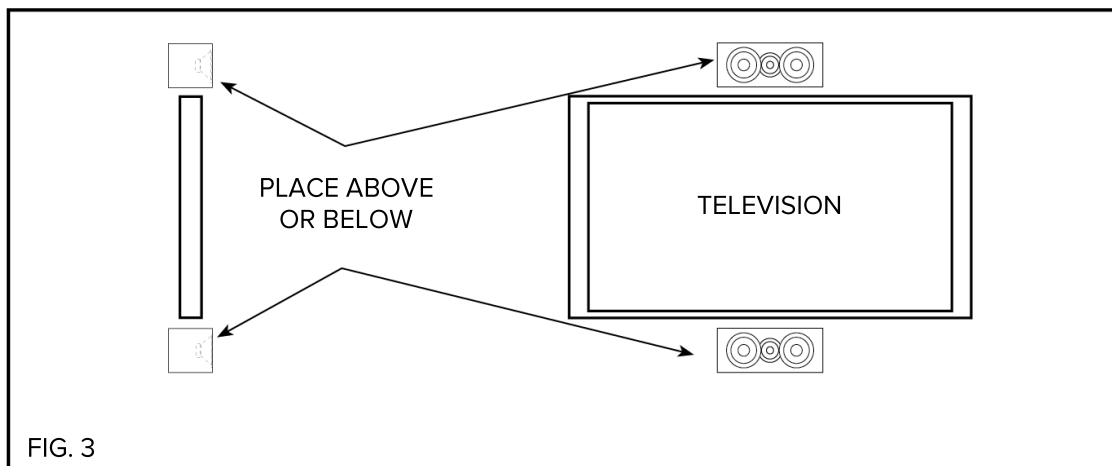
Whether you use the UB5 bookshelf or the UF5 floorstanding speakers for a 5.1-channel surround set-up, avoid placing the surround speakers forward of your listening position. The surround speakers should be spread apart wider than the front speakers. In addition, elevate the speakers to the same height or slightly higher as the front speakers for the most enveloping sound field. Like the front speakers, you may need to experiment with the positioning by pointing the rear surround speakers towards the listening area.



5.1-CHANNEL SURROUND SET-UP

Center Speaker Setup

The ELAC UC5 center channel is designed to produce dialog sounds and should be positioned above or below (fig. 3) your television. Align it with the center of the television. As much as possible, try to keep the UC5 close to the same level (height) as your front speakers for a more even sound stage. Keeping the same height for the center channel can be very challenging so it might be necessary to tilt the center speaker up (if too low) or down (if too high), to aim it towards the listening area.



Optimal results for the center are obtained by setting the receiver/processor center channel size to small. If you have a choice, set the crossover frequency between 50 to 100Hz.

SPECIFICATIONS

	UB5	UF5	UC5
Enclosure Type	3-Way Bass Reflex	3-Way Bass Reflex	3 - Way Bass Reflex
Frequency Response	46Hz - 25000Hz	42Hz - 25000Hz	48Hz - 25000hz
Nominal Impedance	4 Ohms	4 Ohms	4 Ohms
Sensitivity	85db @ 2.83v/1m	85db @ 2.83v/1m	85db @ 2.83v/1m
Crossover Frequency	270 / 2700Hz	270 / 2700Hz	270 / 2700Hz
Max Power Input	140 Watts	140 Watts	140 Watts
Tweeter	1" Cloth Dome	1" Cloth Dome	1" Cloth Dome
Midrange	4" Aluminum	4" Aluminum	4" Aluminum
Woofers	5.25 Inch Aluminum	3 x 5.25 Aluminum	2 x 5.25 Inch Aluminum
Cabinet	CARB2 Rated MDF	CARB2 Rated MDF	CARB2 Rated MDF
Cabinet Finish	Black Brushed Vinyl	Black Brushed Vinyl	Black Brushed Vinyl
Port	Dual Flared	3 x Dual Flared	2 x Dual Flared
Binding Posts	5-Way Metal	5-Way Metal	5-Way Metal
Dimensions (WxHxD)	7.87" x 12.75" x 10.75"	7.87" x 38" x 10.75"	18.75" x 7.87" x 10.75"

ELAC Americas LLC.
North America Limited Liability Warranty
Passive Speakers (No Built-in Amplifier)

ELAC Americas LLC. warrants to the original purchaser that this product be free from defects and or workmanship for a period of 3 (Three) years from the original date of purchase. During this time period, repair or replacement of parts will be free of charge to the original owner (See below limitations). Shipping to and return from the repair center will be the responsibility of the original purchaser.

Limitations

- Warranty begins on the date of original purchase from an authorized ELAC Americas LLC dealer.
- Product is warranted only if used in home applications within the max power rating specified in this manual. Commercial use of this product is not warranted.
- Product that has been modified or altered in anyway will not be warranted.
- Product that has been abused or subjected to faulty equipment will not be warranted.
- Products with defaced or removed serial numbers will not be warranted.

If service is required

In the event that service is required, please contact ELAC America at 714-252-8843 or at info@elac.us to arrange for service or replacement. You will be responsible to provide proof of purchase (Copy or original sales receipt). Shipping to and from our repair center will be the responsibility of the original purchaser.

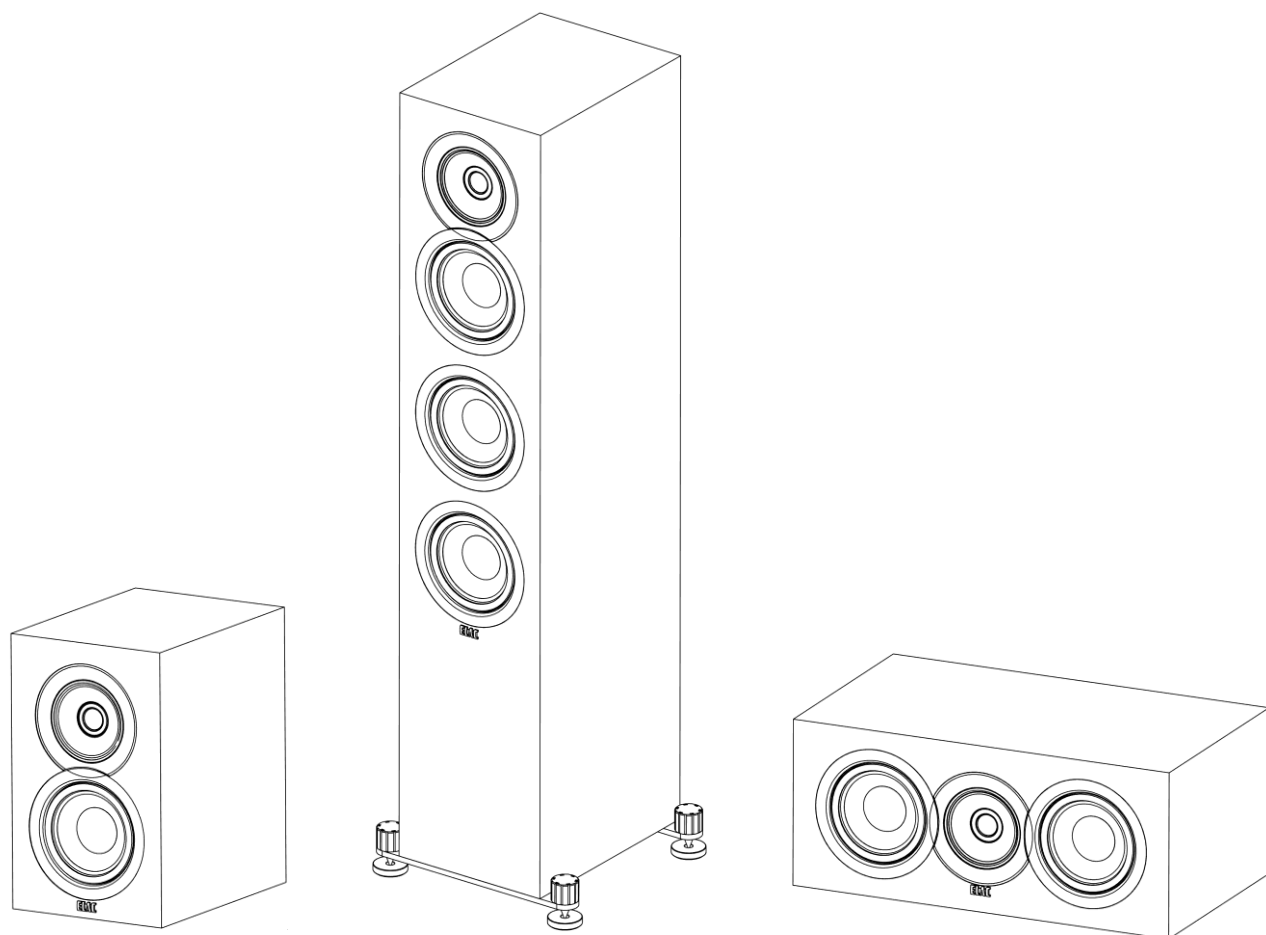
Warranty Outside of North America

This warranty applies to products purchased in the United States and Canada. For warranty claims outside of North America please contact the local dealer/distributor in the country of purchase.

ELAC The life of sound.

ELAC AMERICAS LLC.
11145 KNOTT AVE. SUITES E & F
CYPRESS, CA. 90630

ELAC Uni-Fi by **Andrew Jones**.



HAUT-PARLEURS DE BIBLIOTHÈQUE UB5
HAUT-PARLEURS COLONNE UF5
ENCEINTE DE CANAL CENTRAL UC5

MODE D'EMPLOI

ELAC The life of sound.

Instructions de sécurité

1. Informations générales

- Veuillez lire et suivre les instructions de sécurité.
- Conservez-les pour référence future.
- Observez tous les avertissements inscrits sur le haut-parleur et dans le manuel. Veuillez vous assurer que le haut-parleur est exempt de dommage avant l'utilisation. Le haut-parleur doit fonctionner parfaitement. Les pièces endommagées peuvent causer des blessures.

2. Utilisez uniquement tel qu'indiqué

- Connectez le(s) haut-parleur(s) conformément aux instructions du manuel.
- Plusieurs haut-parleurs ELAC sont équipés avec des pieds antidérapants et/ou des crampons. Ils sont fournis uniquement pour niveler le haut-parleur. Pour niveler sur le plancher, dévissez les crampons ou le pied antidérapant de 2 à 3 tours du filage. Le haut-parleur doit toujours être dans un parfait alignement vertical: la stabilité du haut-parleur ne doit pas être compromise en utilisant les crampons ou le pied antidérapant et faire tomber le haut-parleur.

3. Endroit

- Installez les haut-parleurs uniquement sur une surface plane
- Ne les placez pas dans des endroits qui sont :
 - Directement au soleil
 - Très humides
 - Sujets aux vibrations
 - Exceptionnellement chaud ou froid
 - Près de téléviseurs CRT (les haut-parleurs n'ont pas de blindage magnétique et cela pourrait causer des problèmes de couleurs avec une télé CRT)
 - Près de cartes magnétiques (Comme les haut-parleurs n'ont pas de blindage magnétique, placer une carte magnétique à proximité telle une carte de crédit ou une carte de transport peut causer leur défectuosité).

AVERTISSEMENT! Veuillez vous assurer que le produit soit parfaitement stable pour éviter qu'il chute et cause des blessures. Veuillez noter que la stabilité peut être améliorée en utilisant les crampons sur des surfaces couvertes d'un tapis. Cependant, le montage des crampons doit être effectué soigneusement dû à leurs extrémités pointues qui peuvent causer des blessures. La stabilité sur des planchers glissants peut être améliorée en utilisant des rubans Velcro ou des rubans adhésifs doubles faces. N'installez pas le haut-parleur près de toute source de chaleur telle un radiateur, des soupapes de chauffage, des poêles et autres appareils (incluant des amplificateurs) qui produisent de la chaleur, ou dans tout autre endroit à risque d'explosion.

- Ne bloquez aucune ouverture de ventilation. Installez selon les instructions du fabricant.
- N'installez pas le haut-parleur dans une étagère fermée ou dans une armoire fermée.
- Ne placez pas de chandelle allumée près du haut-parleur.
- N'installez pas le haut-parleur près de transformateurs car les champs de dispersion électromagnétique peuvent causer des sons de grondement dans le haut-parleur d'extrêmes graves.
- Combinés à certains matériaux (laques, revêtements) le pied antidérapant et les crampons peuvent causer des impressions colorés sur les surfaces.

4. Surcharge

Une surcharge extrême de l'appareil due à un volume très élevé peut causer des dommages aux composantes individuelles. Dû au danger potentiel, vous ne devez jamais laisser les haut-parleurs dans des conditions de surcharge extrême sans surveillance.

5. Entretien

DANGER! N'ouvrez pas l'enceinte car les composantes et les conducteurs peuvent être sous tension! L'entretien doit être effectué uniquement par un personnel qualifié.

L'entretien est nécessaire lorsque le haut-parleur a été endommagé de telle sorte : un dommage au câble d'alimentation ou à la fiche qui sont inclus, lorsqu'un liquide a été renversé, que des objets sont tombés sur le haut-parleur, qu'il a été exposé à la pluie ou à la moisissure, qu'il ne fonctionne pas normalement ou a été échappé. Pour réduire le risque de choc électrique, n'ouvrez-pas le haut-parleur. L'entretien doit être effectué uniquement par un personnel qualifié.

6. Nettoyage

NOTE: Nettoyez uniquement avec un linge doux et lisse ou avec une brosse à épousseter. N'utilisez pas de produits de récurage, d'alcool, du benzène, du poli à meuble ou d'autres produits de nettoyage! Les meubles modernes sont souvent recouverts de plusieurs couches de verni et de plastique et peuvent être traités avec des produits chimiques. Certains de ces produits contiennent des substances qui endommagent et amollissent le pied de caoutchouc. Par conséquent, nous vous conseillons de placer un matelas antidérapant sous le(s) haut-parleur(s).

7. Volume

PRÉCAUTION! Un volume élevé et continu peut causer des dommages sévères à votre ouïe. Veuillez écouter de manière responsable.

8. Recyclage

L'emballage est fait de matériaux recyclables. Disposez de manière écologique. Ne jetez pas le(s) haut-parleur(s) dans les poubelles normales, à la fin de leur utilité. Le haut-parleur doit être recyclé conformément aux lois locales. Informez-vous auprès de votre autorité locale concernant le recyclage car l'appareil comporte des matériaux bruts précieux. Désassemblez le(s) haut-parleur(s) avant de disposer.

Philosophie

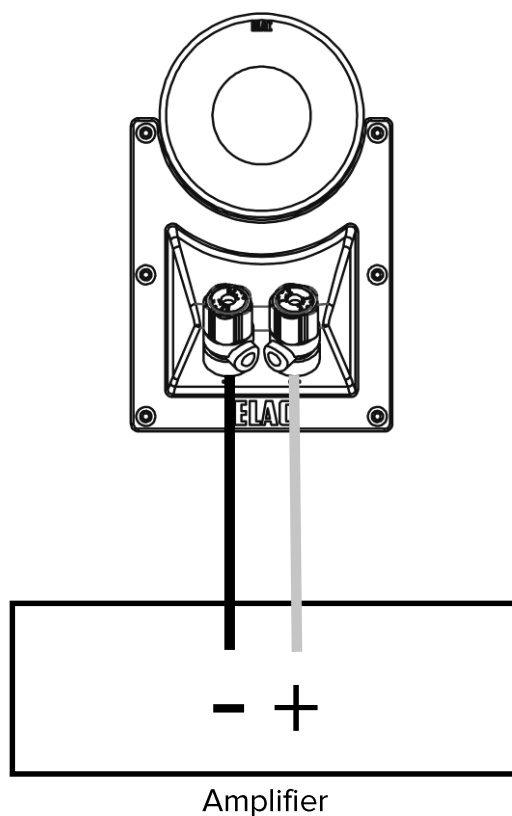
Merci d'avoir acheté ce produit ELAC.

Depuis ses débuts (1926), ELAC a toujours aspiré à la meilleure qualité. Vos nouveaux haut-parleurs ELAC sont construits selon les plus hautes normes de l'industrie en utilisant les composants de la plus grande qualité, soigneusement fabriqués pour produire un son de qualité supérieure. Ils sont développés par un groupe d'individus passionnés voués à vous offrir un niveau de son de qualité supérieure à la maison. Bonne écoute!

Avant d'utiliser

Évitez les dommages aux haut-parleurs et aux autres composantes :

- Sortez soigneusement les haut-parleurs de l'emballage pour éviter de les endommager.
- Utilisez des câbles de calibre approprié (calibre 16 minimal pour une distance de 25 pieds).
- Assurez-vous de la bonne polarité de connexion des câbles. La plupart des câbles de haut-parleur(s) sont codés pour faciliter le processus. Assurez-vous que la connexion positive (rouge) sur la borne de l'amplificateur soit connectée à la borne positive (rouge) sur vos haut-parleurs. Dénudez environ 1/2 po d'isolation à l'extrémité du câble du haut-parleur, tordez les fils nus et insérez-les dans la borne de raccordement.
- Assurez-vous que votre équipement soit éteint avant de connecter les haut-parleurs.
- Assurez-vous que les câbles positif et négatif ne se touchent pas une fois connectés aux bornes du haut-parleur



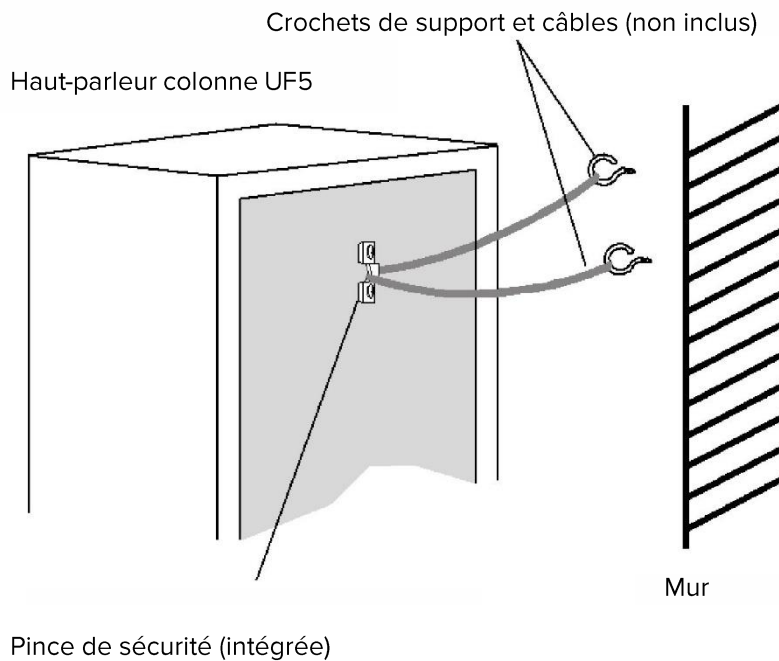
Installation et retrait des grilles fixées de façon magnétique

Les grilles de maille de vos haut-parleurs Uni-Fi ont été conçues pour qu'elles soient amovibles, si désiré. Pour les enlever, maintenir les bords du haut ou du bas de la grille et tirer doucement. Pour replacer la grille, placez-la dans la position normale sur la caisse et les aimants la maintiendront en place.

IMPORTANT!

Pince de sécurité des haut-parleurs colonne ELAC UF5

Les haut-parleurs colonne ELAC UF5 comportent une pince de sécurité intégrée à l'arrière de l'enceinte pour les fixer au mur et pour éviter une chute. Utilisez des crochets de support (non inclus) vissés dans le mur et passez un câble de la taille appropriée (non inclus) autour du crochet et à travers la pince de sécurité. Testez pour vous assurer que les crochets de montage et le câble pourront éviter la chute du haut-parleur.



PRÉCAUTION:

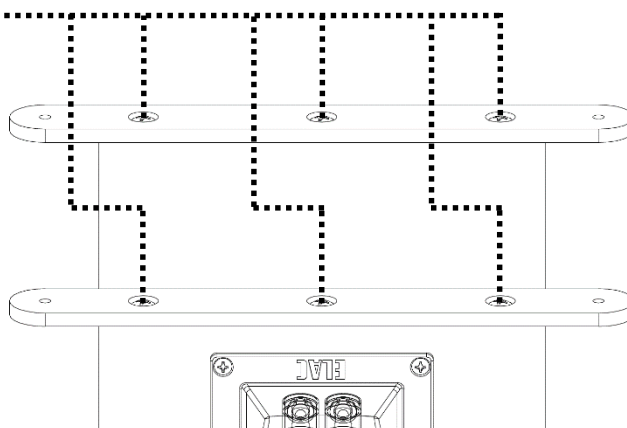
La pince de sécurité n'est pas une attache de montage et le haut-parleur ne doit pas pendre du mur en utilisant cette pince. ELAC n'est pas responsable des dommages résultant d'assemblage, d'installation inappropriée, de force insuffisante des matériaux d'installation, de la mauvaise utilisation ou des désastres naturels.

Installation des pieds stabilisateurs et des pointes (UF5 uniquement)

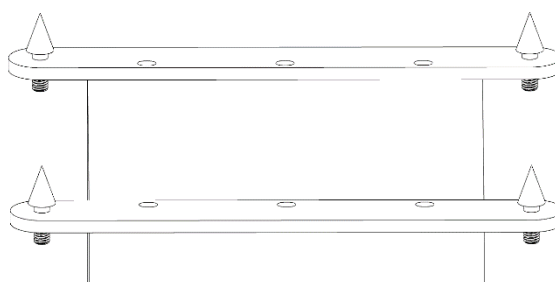
En utilisant les stabilisateurs et crampons compris, vos enceintes seront fermement ancrées au sol, les graves seront plus serrées et l'image sera encore plus cohérente. Pour éviter d'endommager le plancher, ne posez pas les crampons à moins d'être certain du positionnement.

- 1** **IMPORTANT:** Afin d'éviter les rayures ou des dommages à la caisse, tournez le haut-parleur à l'envers sur une surface douce pendant que vous fixez les pieds stabilisateurs et les pointes. Nous recommandons fortement l'aide d'une deuxième personne lors de cette étape.

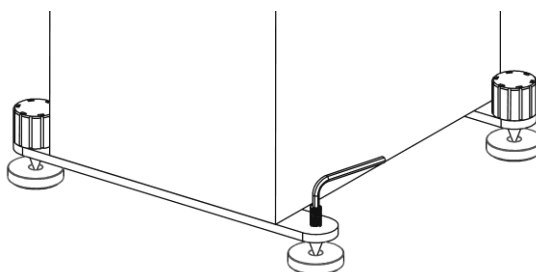
- 2** Fixez les plaques de calage avec les vis à métaux fournies.



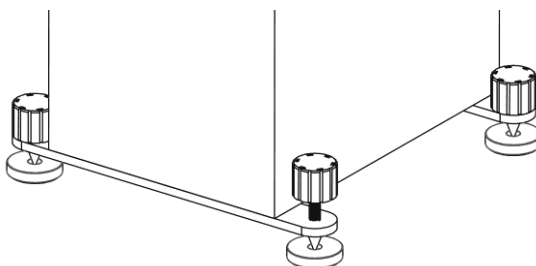
- 3** Vissez les pointes comme indiqué dans l'image de droite. Le haut-parleur peut maintenant être replacé en position verticale. Veuillez être prudent lorsque vous manipulez le haut-parleur quand les pointes sont installées. Si vous avez des planchers de bois ou de céramique, veuillez utiliser les disques de protection fournis.



- 4** Utiliser la clé Allen fournie pour ajuster la hauteur des pointes jusqu'à ce que le haut-parleur soit de niveau et que les quatre pointes touchent le sol.

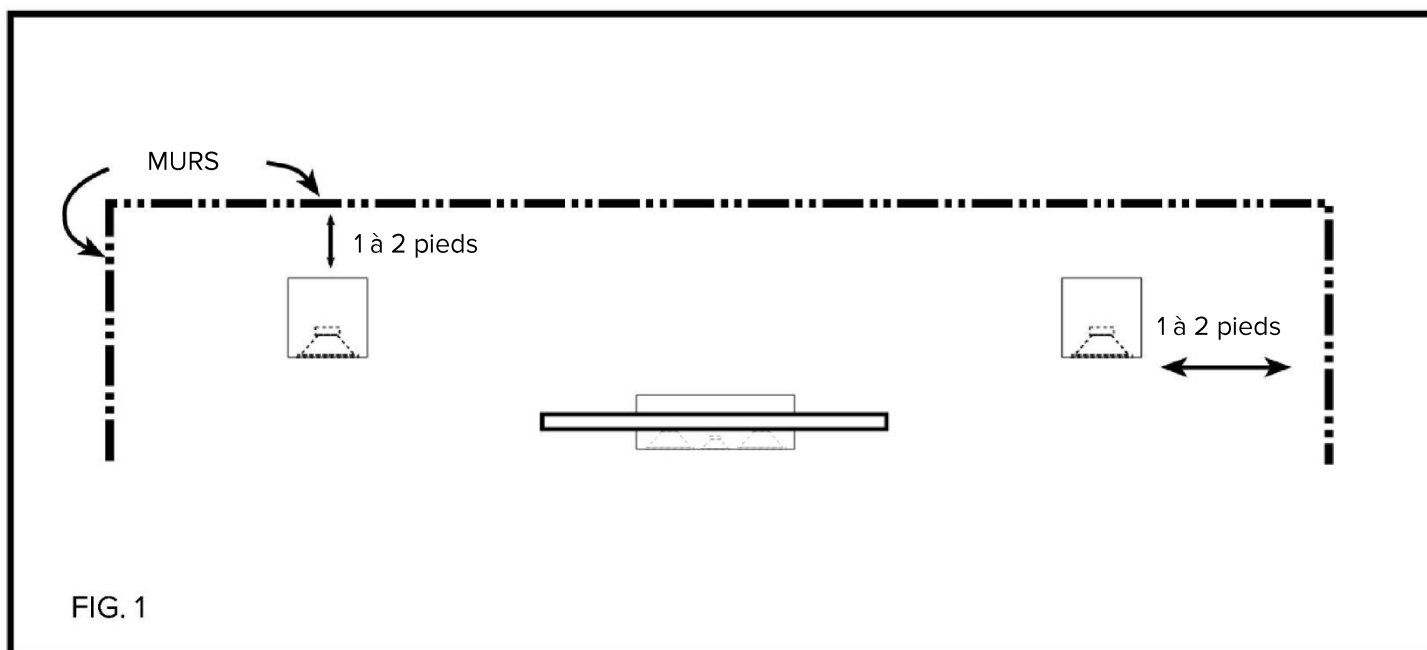


- 5** Lorsque le haut-parleur est de niveau, utiliser les couvre-pointes fournies pour verrouiller les pointes en place.



Emplacement du haut-parleur

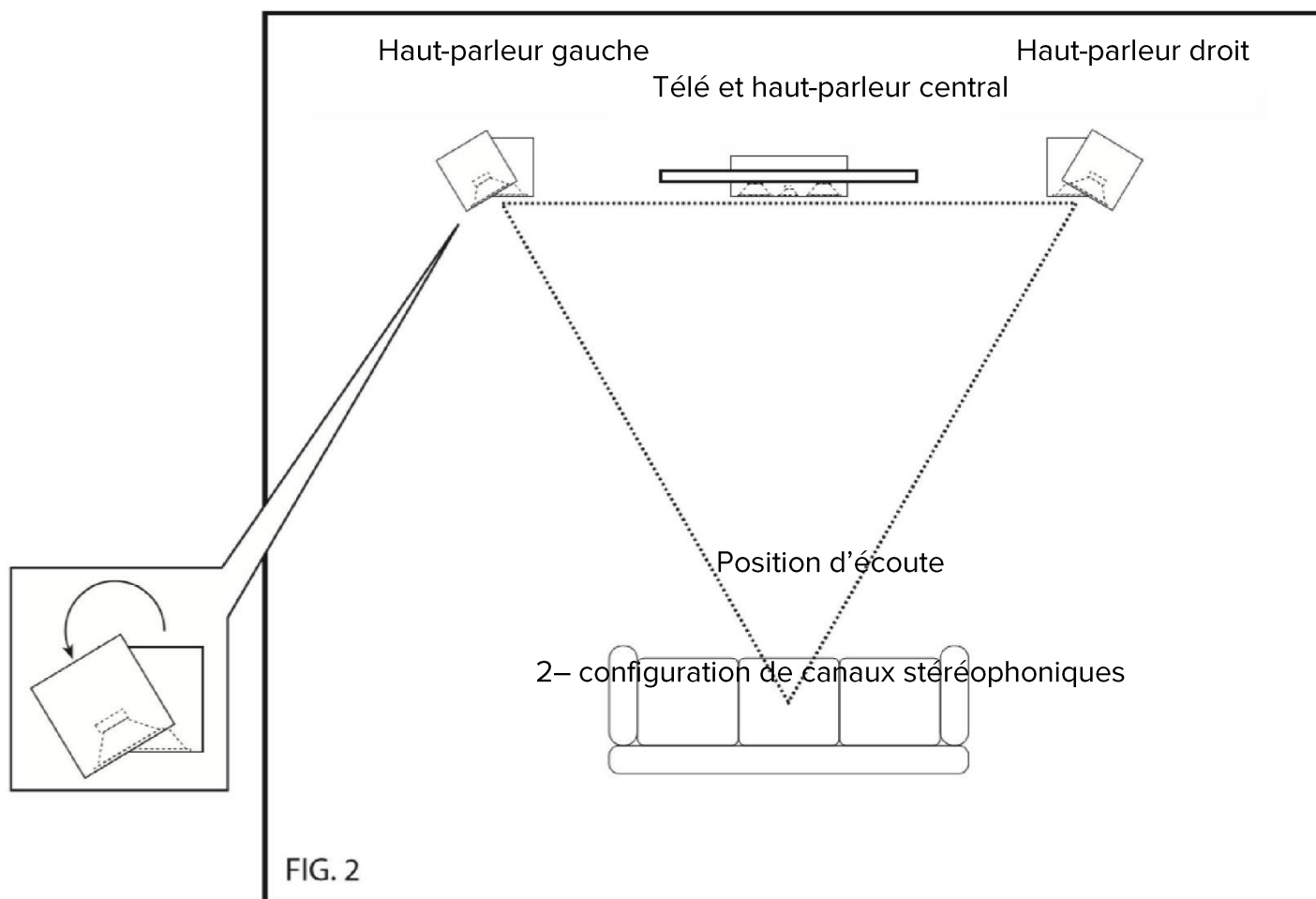
Obtenez la performance maximale et un son de qualité optimale de vos haut-parleurs ELAC Uni-Fi en installant votre haut-parleur au le emplacement possible. Comme chaque pièce est différente, utilisez les lignes directrices suivantes pour configurer vos haut-parleurs pour une pièce en particulier. Il n'y a pas de règles *parfaites* ou de limites dans la détermination du meilleur emplacement mais les suggestions suivantes vous aideront à optimiser les résultats. N'oubliez pas que le meilleur emplacement pour le son est ce qui sonne le mieux à vos oreilles, alors n'hésitez pas à ajuster l'emplacement et la directivité des haut-parleurs.



Placez les haut-parleurs à environ un ou deux pieds des limites (fig. 1) telles que un (des) mur(s) et plus spécialement des coins. La proximité d'un mur arrière ou de côté augmentera la performance des basses (sortie) mais si le haut-parleur est trop près (particulièrement d'un coin) les basses pourraient produire un son qui n'est pas naturel. Si vous ne pouvez éviter un emplacement avec un coin, essayez de placer le haut-parleur à une distance du mur arrière inégale à la distance du mur de côté.

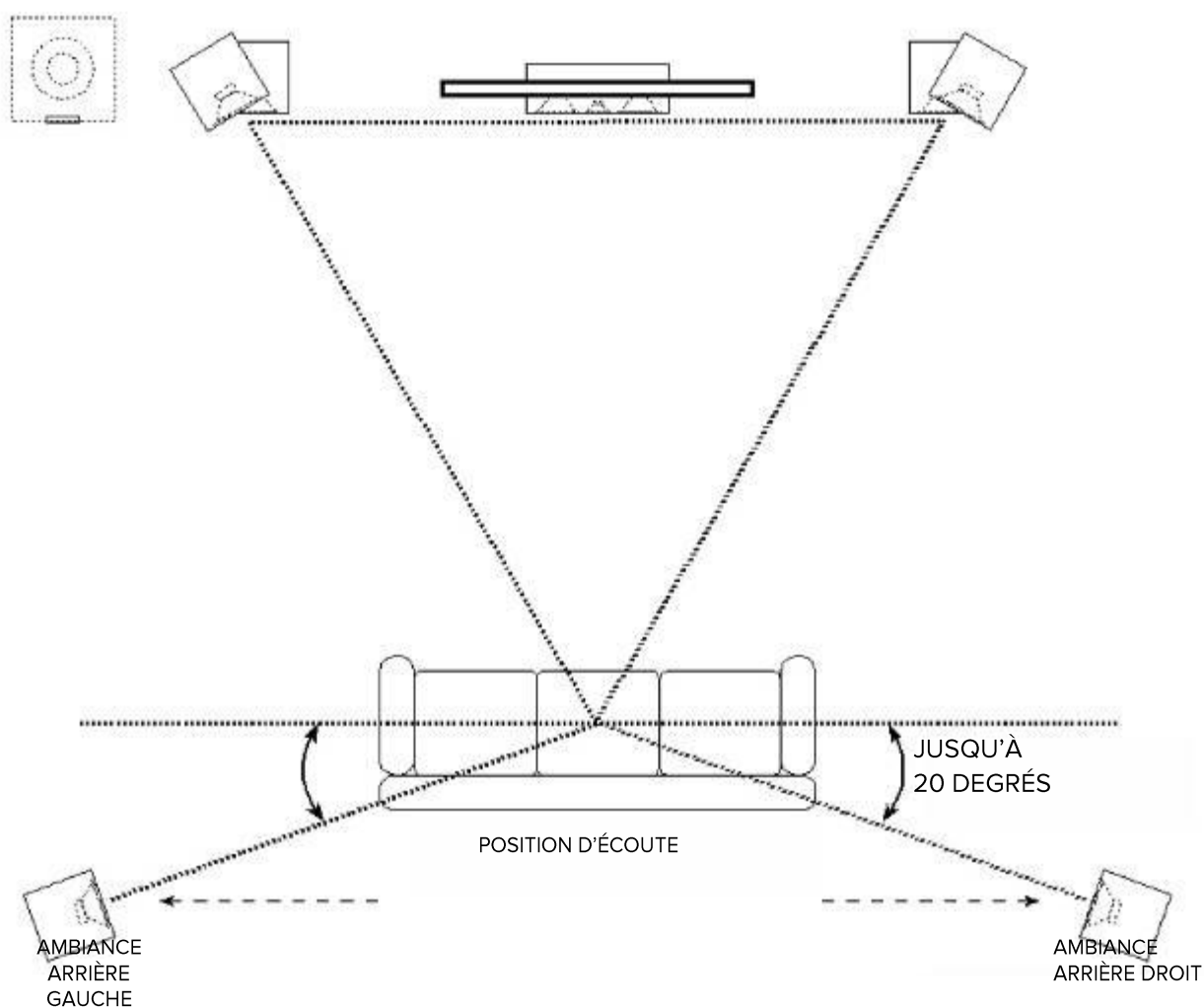
Configuration stéréo

- Pour obtenir les meilleurs résultats, l'image stéréo et le son les plus réalistes, placez les haut-parleurs dans une configuration de triangle équilibré (fig. 2), créé entre vos haut-parleurs et votre position d'écoute favorite. Cette configuration crée la performance d'image optimale.
- Si vous croyez que votre UB5 ou que vos haut-parleurs UF5 gauche et droite sont trop éloignés, rapprochez l'angle (faites un essai) vers la position d'écoute pour obtenir une image plus centrée.



Réglage du son ambiophonique

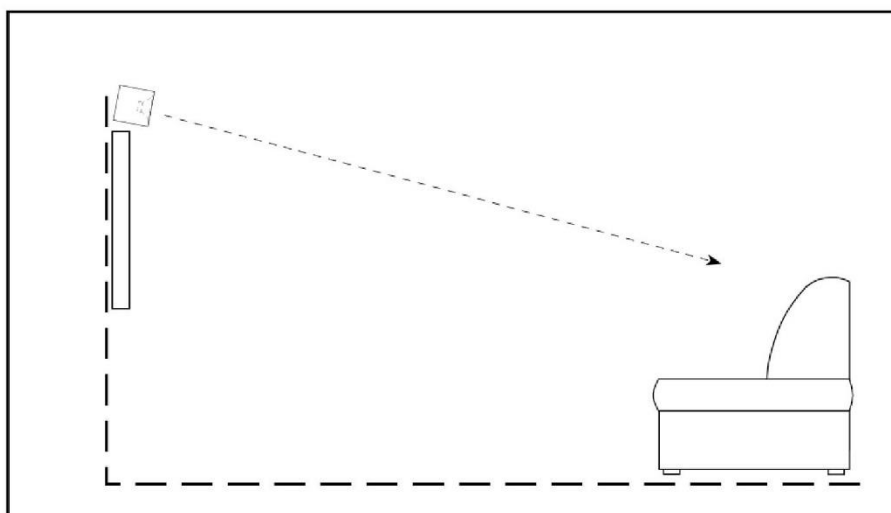
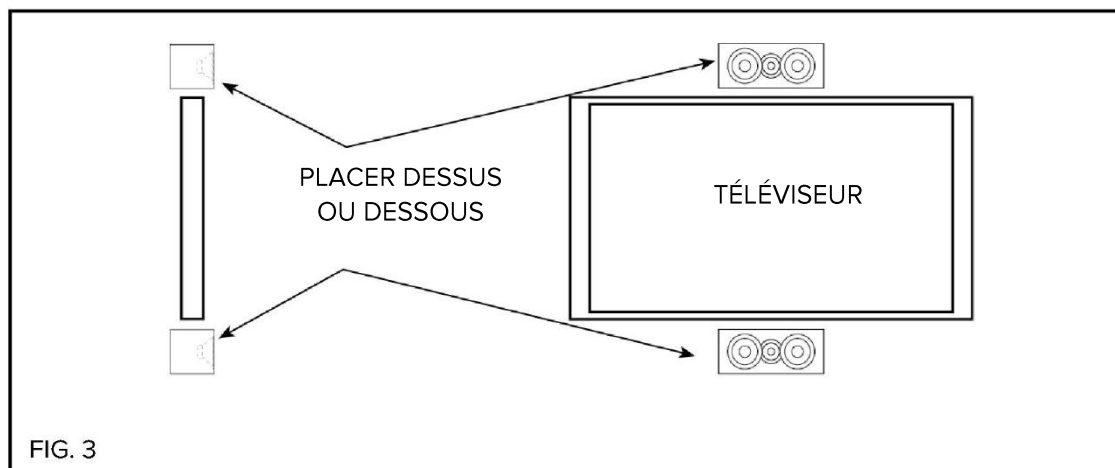
Que vous utilisiez les haut-parleurs UB5 pour bibliothèque ou le UF5 colonne pour un réglage ambiophonique 5.1, évitez de placer les enceintes satellites vers votre position d'écoute. Les enceintes satellites doivent être réparties, éloignées des haut-parleurs avant. De plus, élevez les haut-parleurs à la même hauteur ou légèrement plus haut que les haut-parleurs avant pour un champ acoustique plus enveloppant. Comme pour les haut-parleurs avant, vous devrez expérimenter différents positionnement en dirigeant les enceintes satellites arrière vers la zone d'écoute.



5.1 RÉGLAGE DU CANAL AMBIANCE

Emplacement du haut-parleur central

La voie centrale ELAC UC5 est conçue pour produire des dialogues de son et doit être placée au-dessus ou en-dessous (fig. 3) de votre téléviseur. Alignez-la avec le centre de votre téléviseur. Essayez de garder le UC5 le plus possible au même niveau (hauteur) que vos haut-parleurs avant pour un niveau de son plus égal. Avoir la même hauteur pour la voie centrale peut être difficile alors il pourrait être nécessaire d'élever l'angle du haut parleur central (si trop bas) ou de l'incliner (si trop haut), pour le diriger vers la zone d'écoute.



Les meilleurs résultats pour le centre sont obtenus en réglant l'amplitude du récepteur/processeur de la voie centrale au plus bas. Si vous le pouvez, réglez la fréquence de croisement entre 50 et 100 Hz.

SPÉCIFICATIONS

	UB5	UF5	UC5
Type d'enceinte	Bass-reflex, 3 voies	Bass-reflex, 3 voies	Bass-reflex, 3 voies
Courbe de résonance	46 Hz - 25 000 Hz	42Hz - 25 000 Hz	48 Hz - 25 000 Hz
Impédance nominale	4 Ohms	4 Ohms	4 Ohms
Sensibilité	85 db @ 2,83 v/1m	85 db @ 2,83 v/1m	85 db @ 2,83 v/1m
Fréquence de croisement	270HZ / 2700Hz	270HZ / 2700Hz	270Hz / 2700Hz
Alimentation maximale	140 Watts	140 Watts	140 Watts
Haut-parleur d'aigus	Dôme en tissu de1 po	Dôme en tissu de1 po	Dôme en tissu de1 po
Haut-parleur médial	4 po en aluminium	4 po en aluminium	4 po en aluminium
Haut-parleur de graves	5,25 po en aluminium	3 x 5,25 po en aluminium	2 x 5,25 po aluminium
Enceinte	CARB2 classé MDF	CARB2 classé MDF	CARB2 classé MDF
Fini de l'enceinte	Vinyle brossé noir Black	Vinyle brossé noir Black	Vinyle brossé noir Black
Port	Double face évasée	3 x Double face évasée	Double face évasée
Bornes de raccordement	Métal, 5 voies	Métal, 5 voies	Métal, 5 voies
Dimensions (L x H x P)	7,87 x 12,75 x 10,75 po	7,87 x 38 x 10,75 po	18.,75 x 7,87 x 10,75 po

ELAC Americas LLC.

Garantie de limitation de responsabilité de l'Amérique du Nord

Haut-parleurs passifs (sans amplificateur intégré)

ELAC Americas LLC. garantit à l'acheteur original que ce produit est exempt de tout défaut de matériel et de fabrication pendant une période de 3 (trois) ans à compter de la date d'achat originale. Pendant cette période, la réparation ou les pièces de remplacement seront sans frais pour l'acheteur original (voir les limitations ci-dessous). L'expédition de la résidence, aller-retour, au centre de réparation sera aux frais de l'acheteur original.

Limitations

- La garantie commence à la date de l'achat original chez un distributeur autorisé de ELAC Americas LLC .
- Le produit est garanti si utilisé uniquement pour les applications résidentielles dans les limites de puissance nominale spécifiées dans ce manuel. L'utilisation commerciale de ce produit n'est pas garantie.
- Un produit qui a été modifié ou altéré de quelque manière n'est pas garanti.
- Un produit qui a été mal utilisé ou utilisé avec un équipement défectueux n'est pas garanti.
- Des produits avec des numéros de série effacés ou enlevés n'est pas garanti.

Si un entretien ou une réparation est nécessaire

Si un entretien ou une réparation est nécessaire, veuillez contacter ELAC America au 714 252-8843 ou à info@elac.us pour obtenir les instructions. Vous devrez fournir une preuve d'achat (reçu d'achat originale ou copie). L'expédition de la résidence, aller-retour, au centre de réparation sera aux frais de l'acheteur).

Garantie hors de l'Amérique du Nord

Cette garantie s'applique aux produits achetés aux États-Unis ou au Canada. Pour les réclamations de garantie hors de l'Amérique du Nord, veuillez contacter le marchand/distributeur de votre pays d'achat