

Q Install Warranty

Q Install loudspeakers are warranted free of defects in materials and workmanship for a period of 2 years from the date of purchase. During the warranty period Q Install will, at its option, repair or replace any product found to be faulty after inspection by the company or its appointed distributor or agent.

Misuse and fair wear and tear and not covered by warranty.

Goods for repair should in the first instance be returned to the supplying dealer. If this is not possible the item/s should be sent carriage paid preferably in the original packaging to Q Install or their appointed distributor for your area and accompanied by proof of purchase. Damage sustained by goods in transit to the repair centre is not covered warranty. Return carriage will be paid by Q Install or their distributor as appropriate.

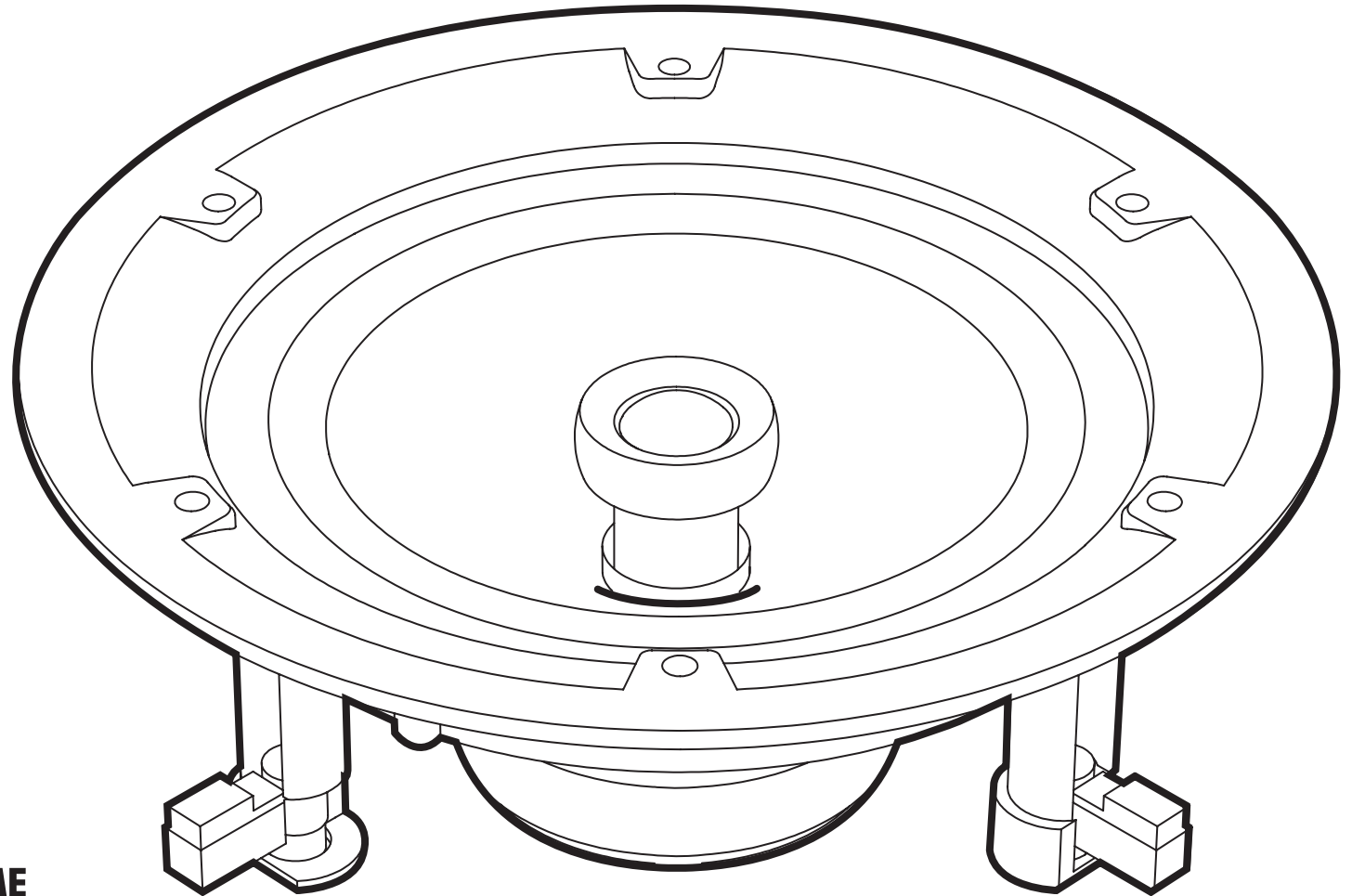
The warranty does not in any way affect your legal rights.



COVERT LOUDSPEAKERS

Quick start installation instructions for Q Install models:

Qi 65C, Qi 65S, Qi 65CP, Qi 65SP, Qi 65C St, Qi 65S St,
Qi 65CP St, Qi 65SP St, Qi 65CW, Qi 65CW St



Appointed Distributor in the UK:

armourHOME

Armour Home Electronics Ltd
Units 7 & 8, Stortford Hall Industrial Park
Bishops Stortford, Herts, UK
CM23 5GZ

Thank you for purchasing Q Install ceiling speakers.
Please take a few minutes to familiarise yourself with the installation procedure.
The speakers are designed for installation into plasterboard ceilings or stud wall cavities.

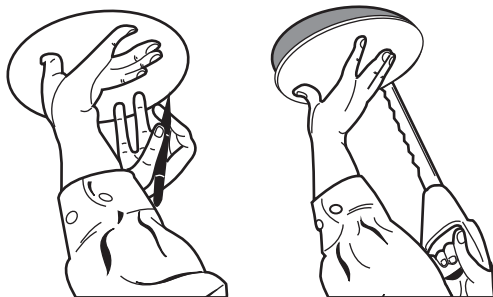
Warning Notices

- Before cutting the mounting hole ensure that there is no conflict with other in-ceiling or in-wall installed items such as pipe work, electrical cabling, gas pipes and supporting joists etc.
- It is important to ensure that the installation complies with relevant building regulations.
- Take care not to apply pressure to the speaker cone and tweeter dome during installation.
- Ensure that the speaker model is suitable for use in the intended application. Only CW models should be used where there are high levels of moisture.

INSTALLING THE SPEAKERS

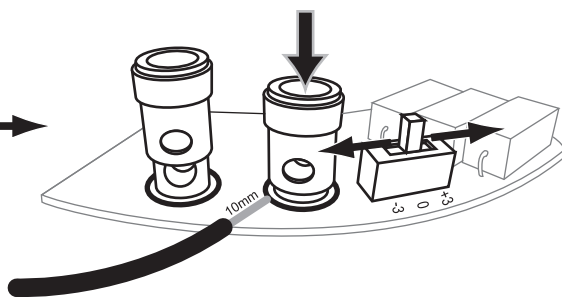
Step 1

Select a suitable mounting location for the speaker taking note of the Warning Notice above. Using the mounting template supplied mark the speaker position and cut the mounting hole.



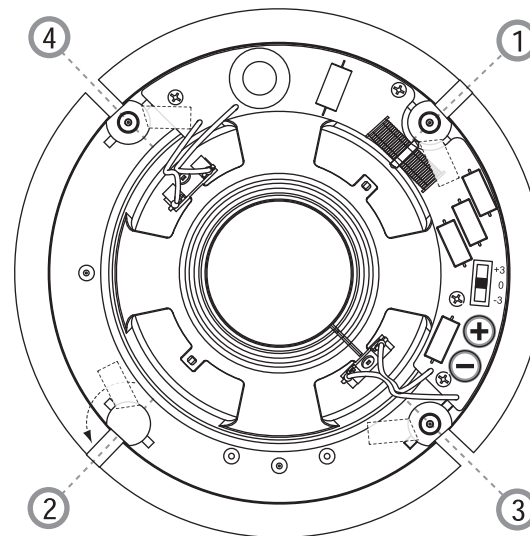
Step 2

Make sure all equipment is switched off. The speaker cable should be stripped back ~10mm so that there are bare wire ends. Remove the packaging and protective dust cover from speaker and attach the speaker leads using the pushdown spring clip terminals at the rear of the speaker. The positive conductor should be connected to the red terminal and the negative conductor to the black terminal. For 'St' versions there are two sets of terminals for connection of left and right channels.



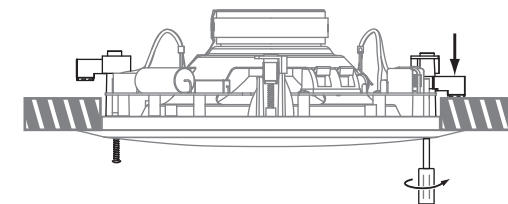
Note: Tweeter output level adjustment ('i' versions)

On some Q Install models the tweeter output level can be increased or decreased using the 3 position switch located at the rear of the product. It is recommended to leave the switch in the '0' position for the initial sound check.



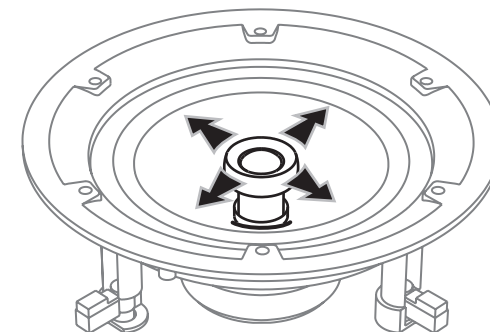
Step 3

Check that each of the 4 swing out clamps are rotated inwards. Position the speaker through the mounting hole and position flush with the ceiling. Whilst holding the speaker in place tighten each of the mounting screws using a No. 2 Pozidriv® screw driver in the order shown in left figure. When an increase in resistance is felt the clamp is in position.



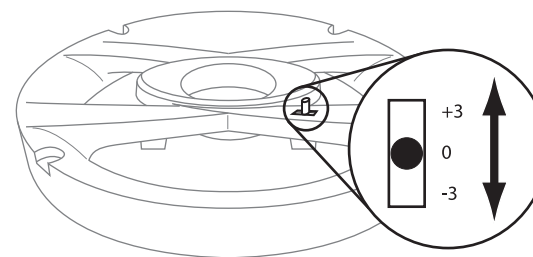
Step 4

Once the speakers are installed they should be tested before the grilles are fitted. All speaker models (other than 'St' Stereo models) feature a swivel tweeter that may be adjusted allowing the high frequencies to be directed towards or away from the normal listening position as required. The tweeter's outer frame (not dome) should be pushed gently to achieve the desired tweeter position.



Note: Tweeter output level adjustment ('CW' versions)

The tweeter output level can be increased or decreased using the 3 position switch located at the front of the speaker. It is recommended to leave the switch in the '0' position for the initial sound check and then adjust if necessary.



Step 5

For speakers featuring a magnetic grille, locate the grille over the speaker bezel where it will be pulled into place. Note that square grilles may be positioned at any angle required. For CW models push fit the grille into place by applying gentle pressure around the grille into place until the grille edge is flush with the outer bezel.

Grille backing cloth

Some models feature a white backing cloth behind the grille to help minimize visual contrast with the ceiling. For the very best sound performance it is recommended that this cloth is removed before use. To remove simply peel away the backing cloth from the grille.