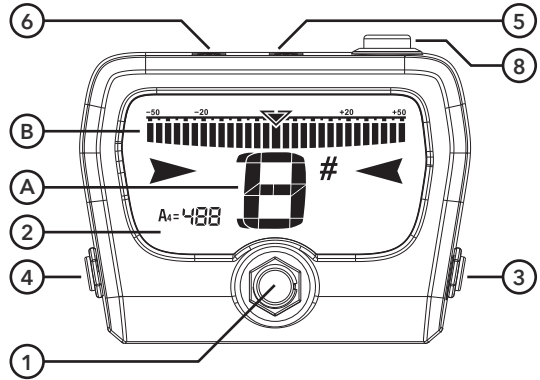
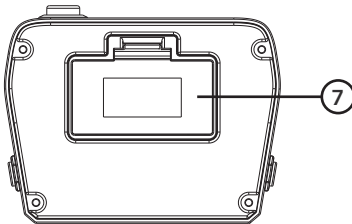


SZ-CPT WIDESCREEN GUITAR & BASS PEDAL TUNER USER MANUAL

1. ON/OFF
2. Screen:
 - A. Note Name
 - B. Tuning Meter and Calibration
3. Input
4. Output
5. 9V DC Input
6. 9V DC Output
7. Battery Compartment
8. Calibration Button



HOW TO USE

1. Install the battery, or connect an AC-DC 9V power supply. Please check the polarity of your power supply before use.
2. When your instrument is plugged in, the tuner will automatically turn on. When the tuner is engaged using the ON/OFF button, your signal will be bypassed and will not go to the output. Disengage the tuner to allow your signal to pass through.
3. Play a single note from your instrument, the note name will appear in the tuner screen. The screen color will change, and the tuning needle will move.
 - The screen turns green, the center needle appears, both triangles besides the note name appear: in tune.
 - The screen is white, the left tuning needles appear, the triangle at the left side of the note name appears: flat note

- The screen is white, the right tuning needles appear, the triangle at the right side of the note name appears: sharp note.
4. When you remove your cable from the input, the pedal will automatically turn off.

SPECIFICATIONS

Tuning Mode	Chromatic
Tuning Range	AO (27.5Hz) - C8 (4186.00Hz)
Pitch Range	430 - 450Hz
Tuning Way	The signal input must be connected
Tuning Tolerance	±0.5 cent
Power	6F22 battery, or 9V DC
Dimension	107 x 84 x 54mm
Weight	276g
Attachment	Manual, Battery

SubZero

