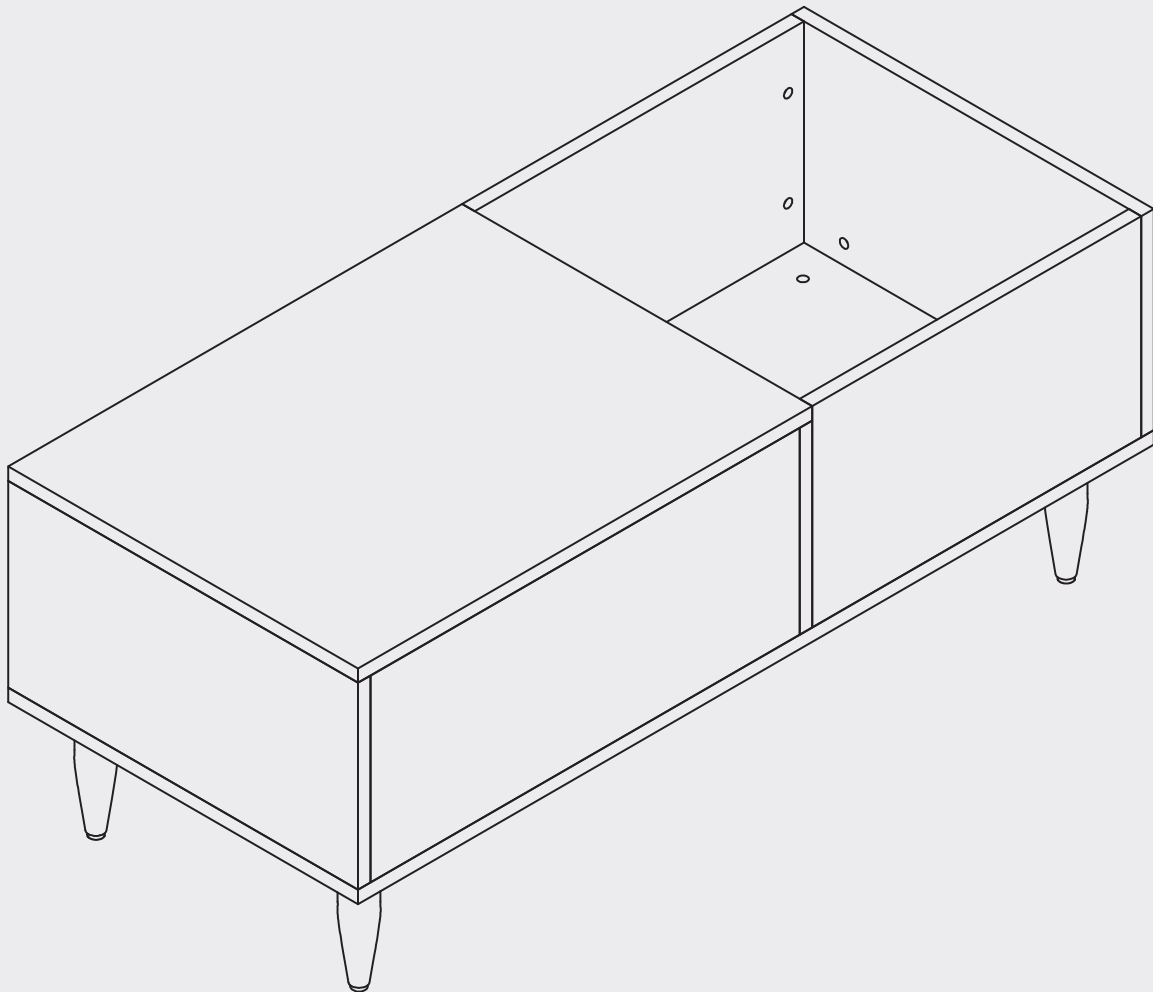




TURNTABLE CABINET

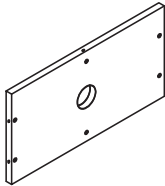
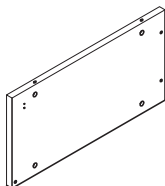
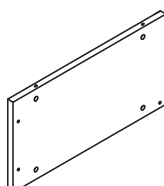
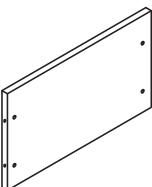
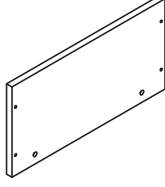
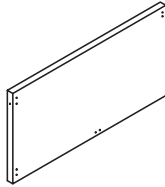
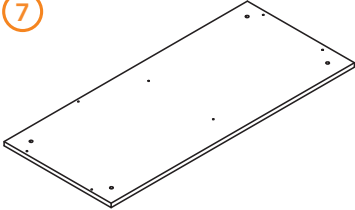
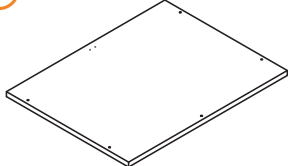


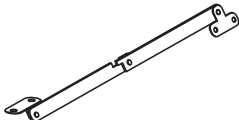




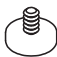




SETUP GUIDE



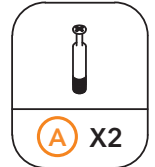
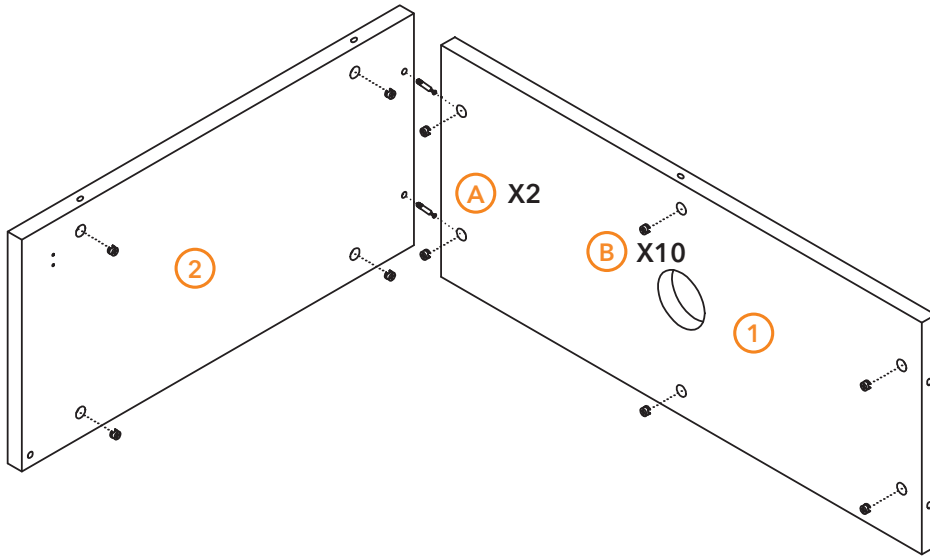
CONTENTS CHECKLIST

First, check the contents of the package and make sure you have everything you need.

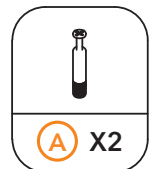
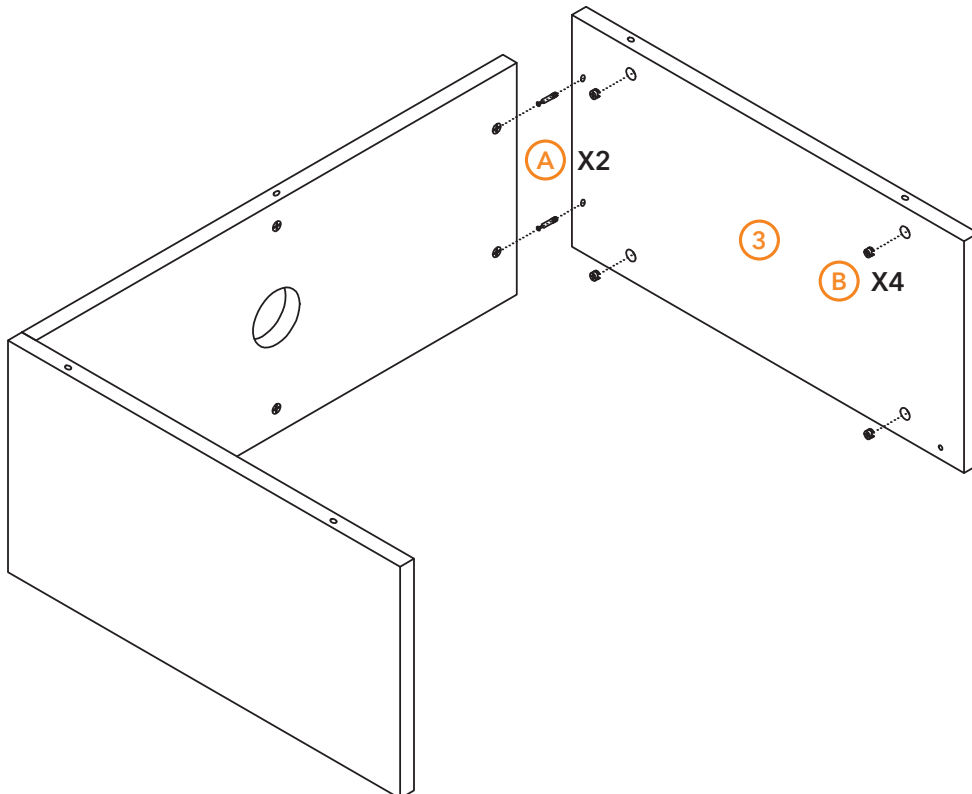
To complete the assembly of this product, you will require a cross-head screwdriver (not included).

 <p>1</p> <p>X1</p>	 <p>2</p> <p>X1</p>	 <p>3</p> <p>X1</p>			
 <p>4</p> <p>X2</p>	 <p>5</p> <p>X1</p>	 <p>6</p> <p>X1</p>			
 <p>7</p> <p>X1</p>	 <p>8</p> <p>X1</p>	 <p>9</p> <p>X4</p>			
 <p>10</p> <p>X1</p>	 <p>11</p> <p>X1</p>				
 <p>A</p> <p>X24</p>	 <p>B</p> <p>X24</p>	 <p>C</p> <p>X13</p>	 <p>D</p> <p>X4</p>	 <p>E</p> <p>X4</p>	 <p>F</p> <p>X1</p>
 <p>G</p> <p>X1</p>	 <p>H</p> <p>X24</p>	 <p>I</p> <p>X1</p>			

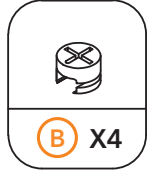
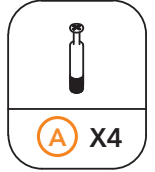
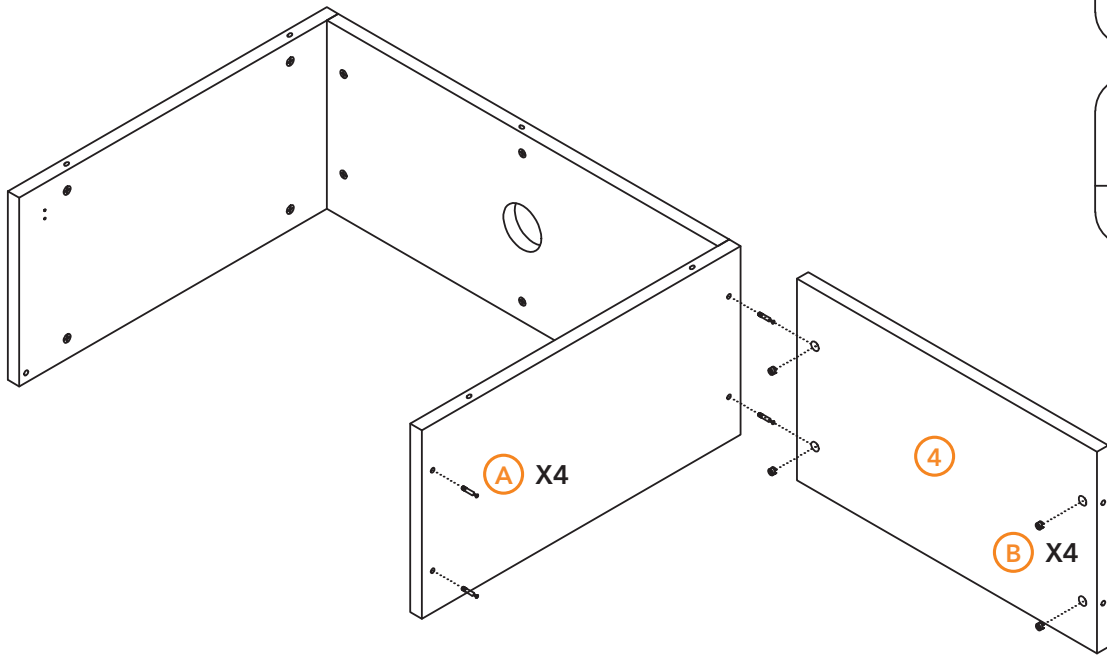
1



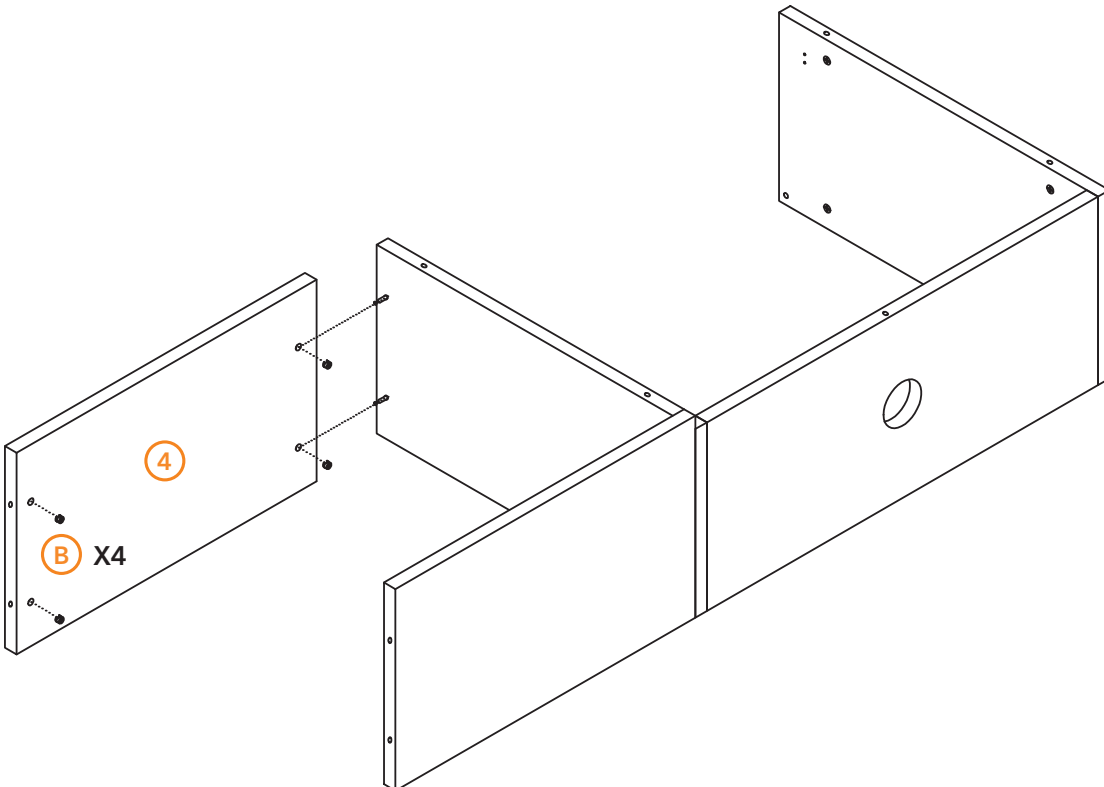
2



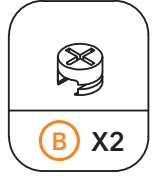
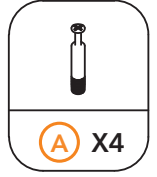
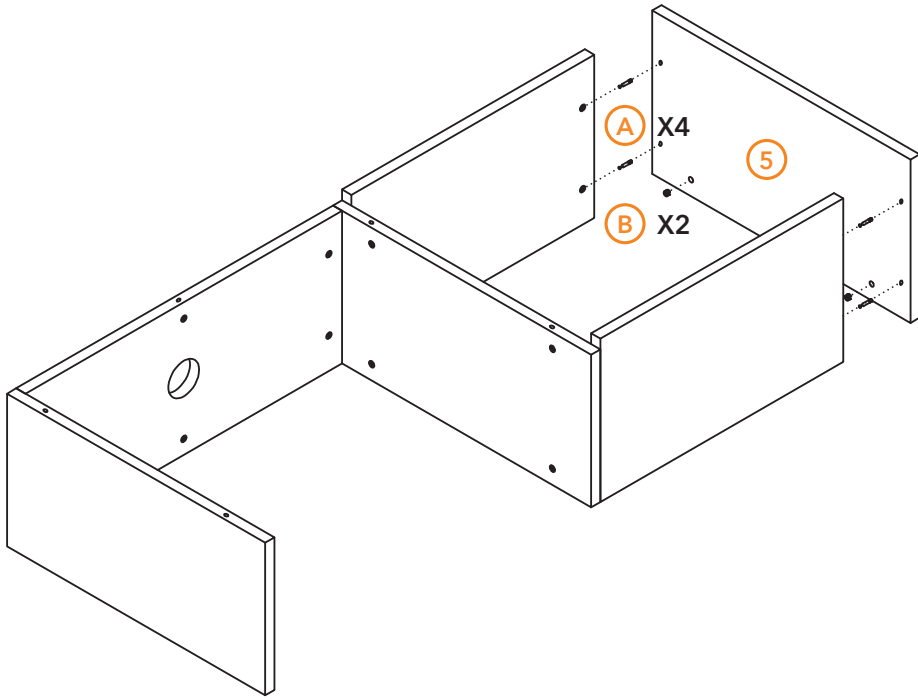
3



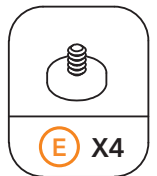
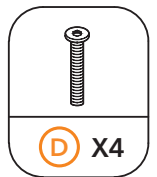
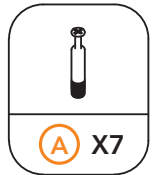
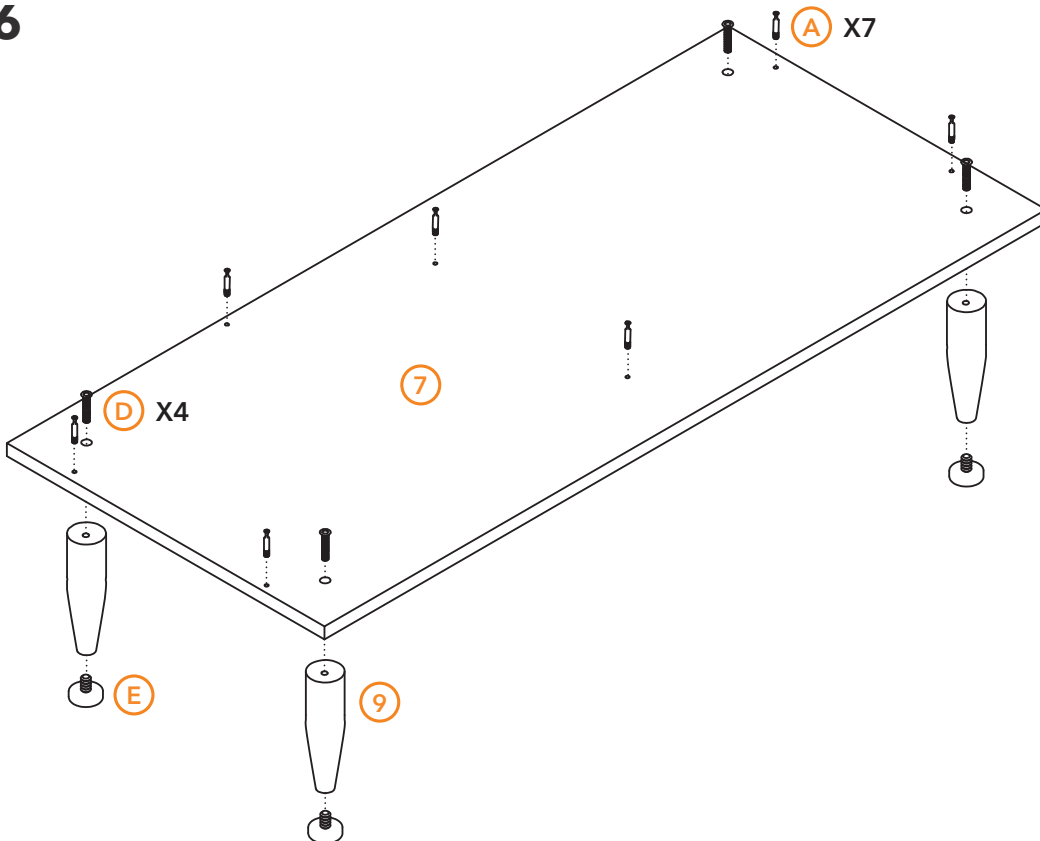
4



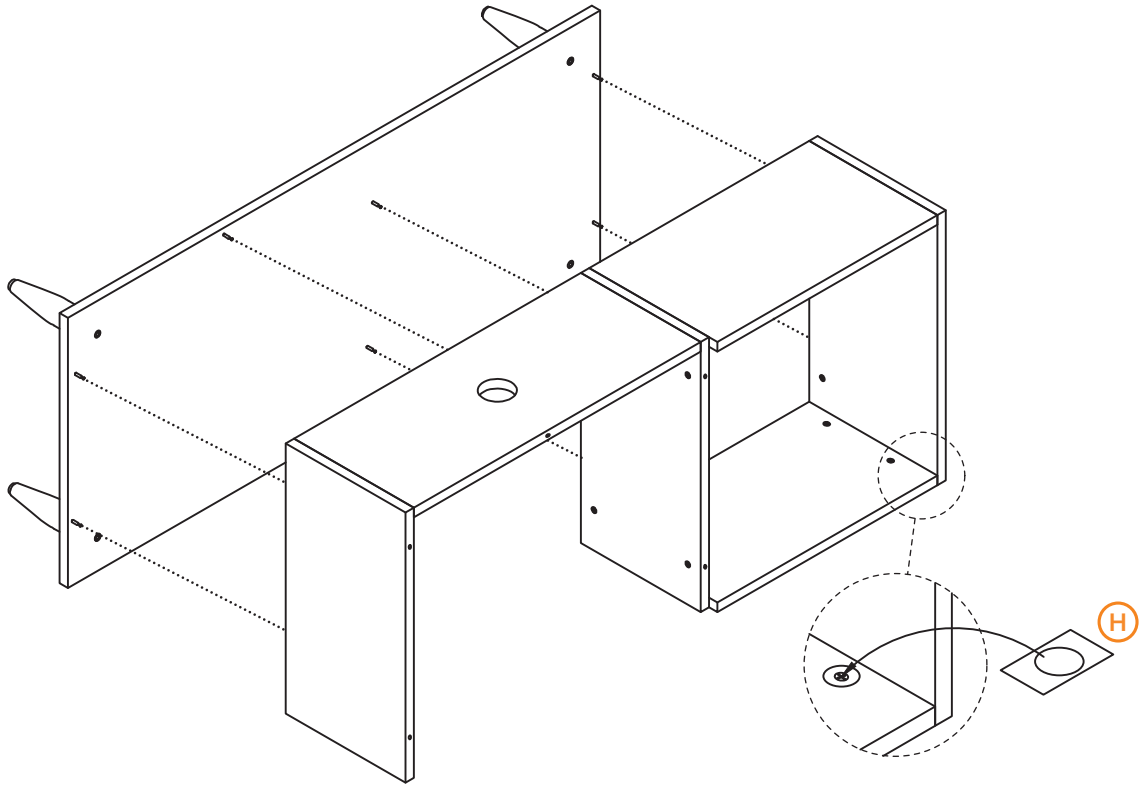
5



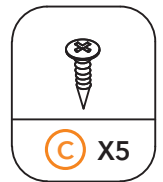
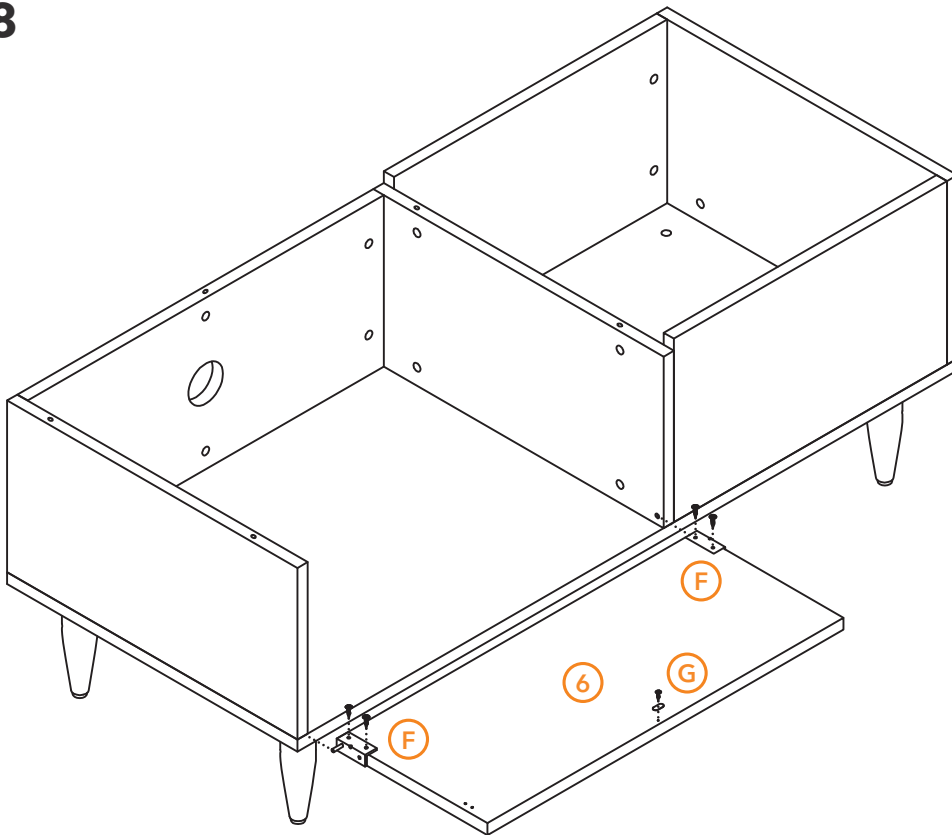
6



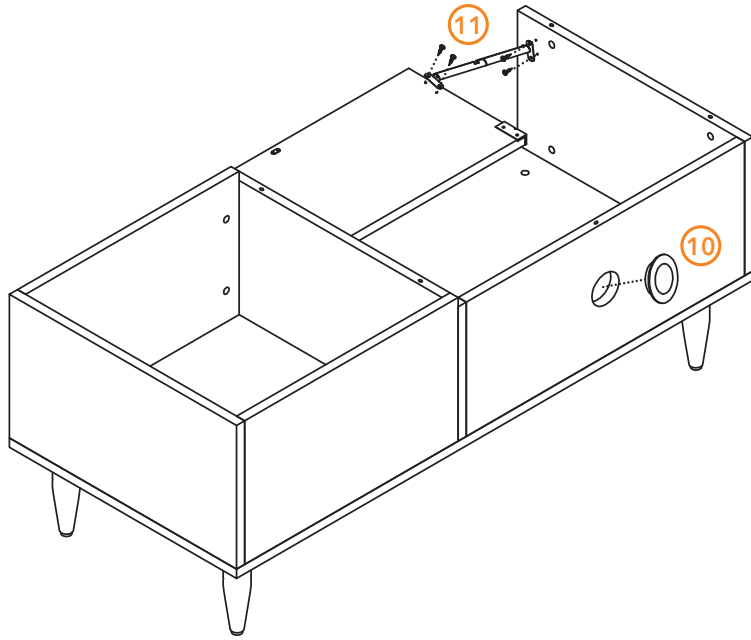
7



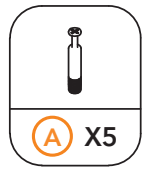
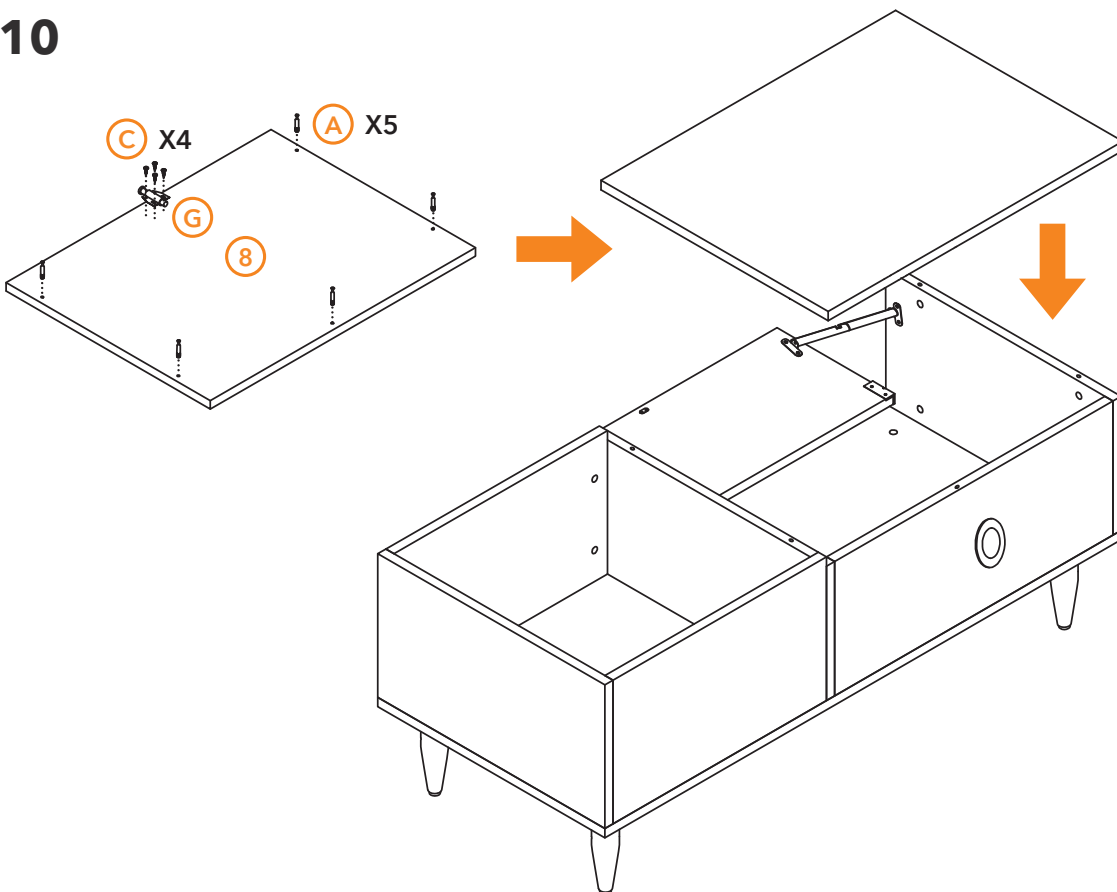
8



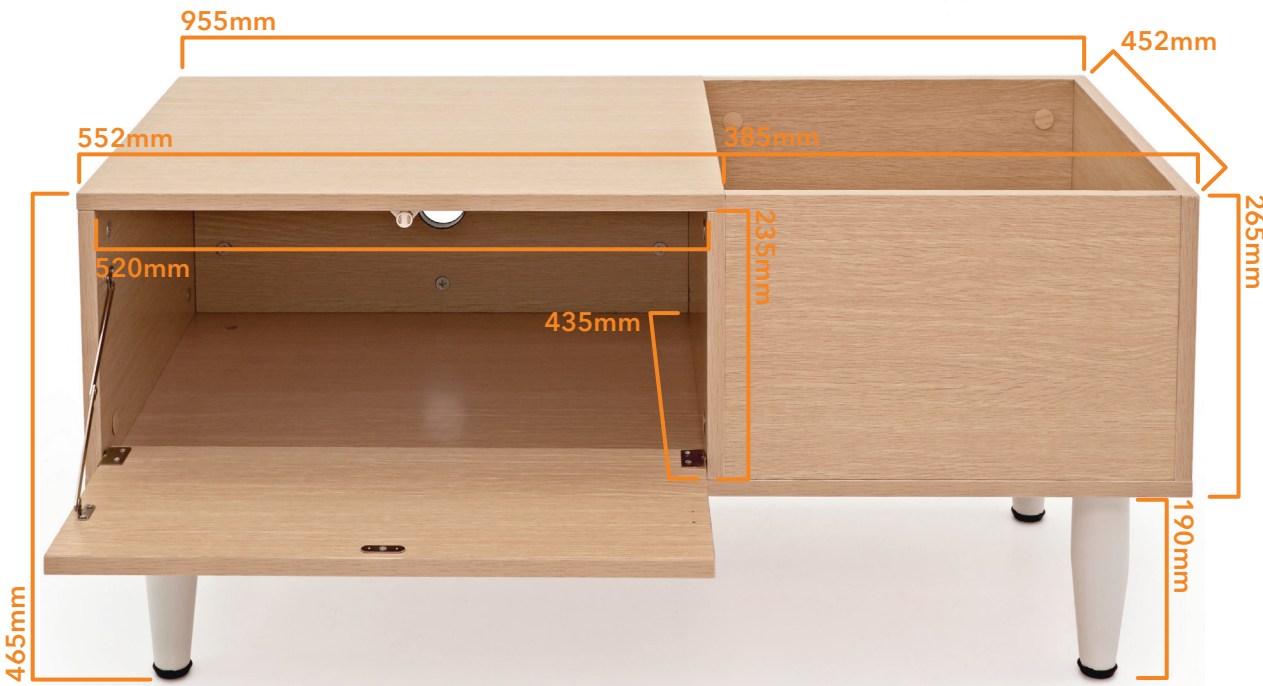
9



10



DIMENSIONS



If you have any more questions about this product, please do not hesitate to contact the Gear4music Customer Service Team on: **+44 (0) 330 365 4444** or **info@gear4music.com**