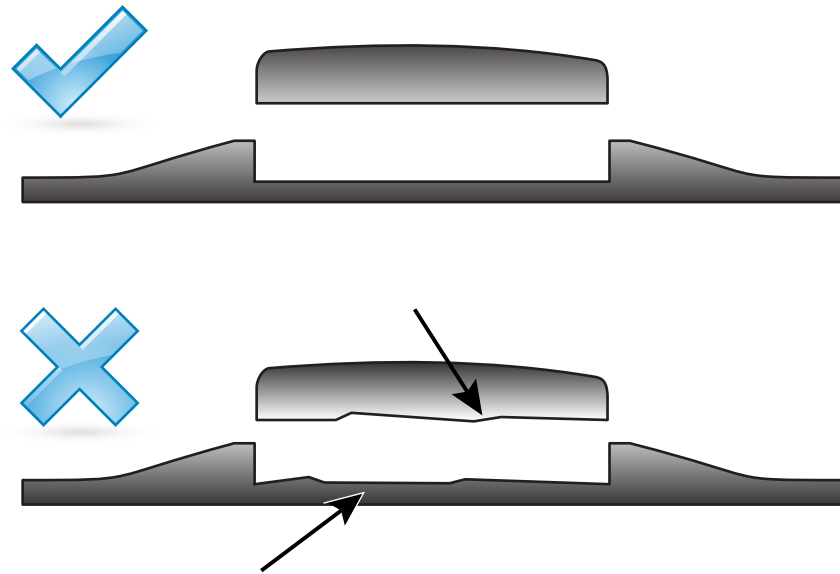


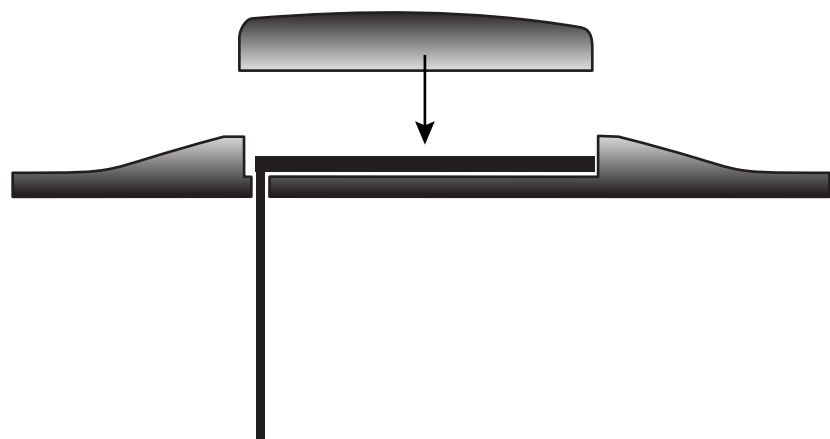
Step 1

Make sure saddle and slot surfaces are level.



Step 4a - Sliding Fit

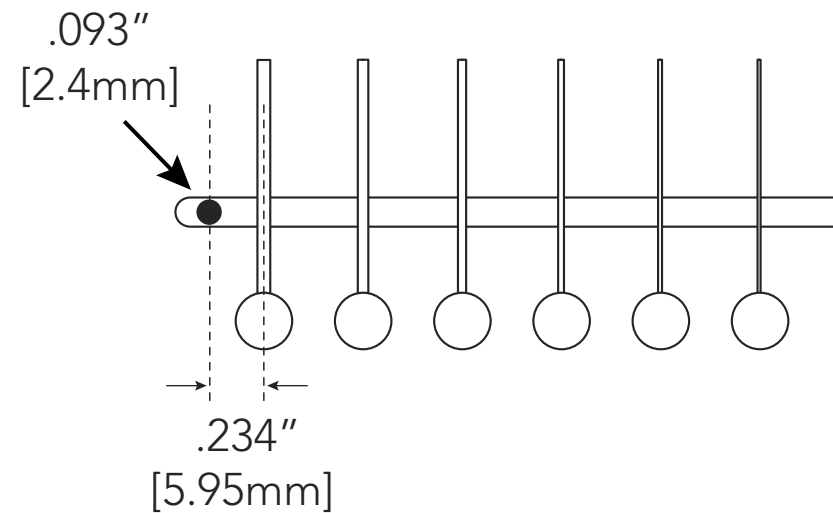
Insert saddle into slot. Saddle should fit into place securely but should come out easily with light fingertip pressure.



FISHMAN[®]

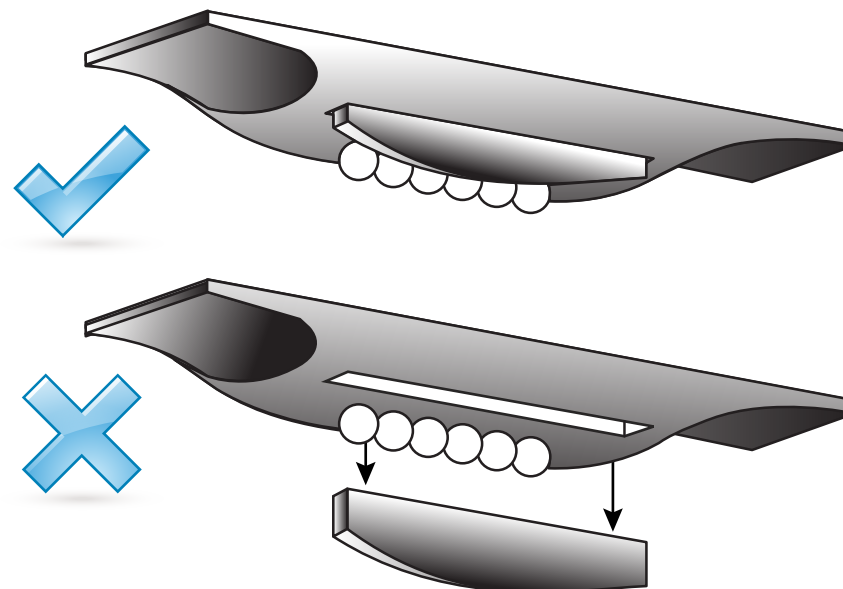
Step 2

Drill .093" (2.4mm) hole for pickup wire at either end of slot. **NOTE:** (.234" (5.95mm) from center of hole to center of outside string).



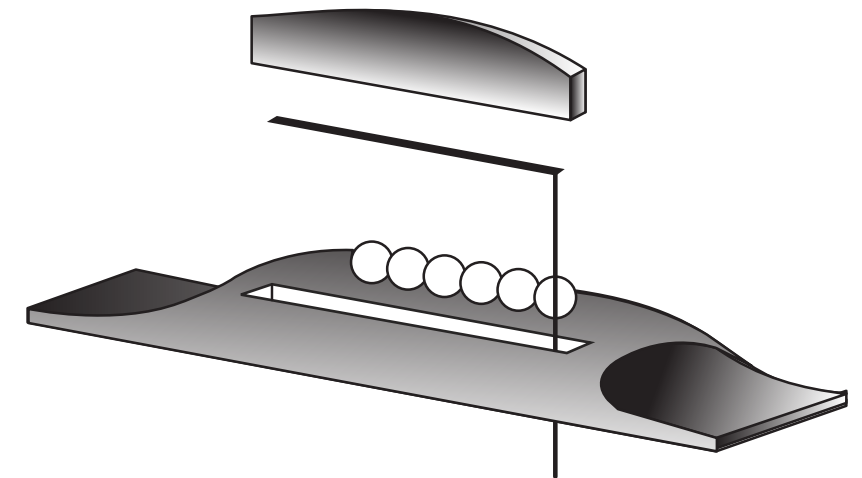
Step 4b - Sliding Fit

Saddle should not fall out when unstrung instrument is upside down.



Step 3

Insert pickup into wire hole and allow pickup to lay flat in slot.



Step 5 - 50/50 Rule

When installed properly, 50% of the saddle should be in the slot and 50% should be over the slot.

