

Installation

1. Choose your install wiring diagram. We've included Devin's personal wiring diagram for reference, plus a more standard diagram that makes more sound combinations available. Devin's Signature guitar wiring utilizes a standard 3-way pickup selector, plus a 3-way toggle switch to select Voice 1, Voice 2, and Voice 2 coil tap. This way, Devin can truly go from one extreme to the other with the flick of one switch. If you'd like to select these options independently, they can be run to their own push/pull or toggle switches.
2. Test fit the components to make sure that each will fit in the allocated locations or modify the instrument until the fit is correct and all the controls can be located without issue. This includes the potentiometers. If the threads are more robust than the stock potentiometers, gently ream the holes with a tapered reamer, being careful not to cause finish cracks.
3. Fishman Fluence multi-voice pickups require a 9-volt battery or one of the available Fluence rechargeable battery packs. Check the fit of your chosen power method into the control cavity.
4. Pickup Voicing and Coil Tap are selected by connecting their control leads to Ground. When not-connected, these functions default to Voice 1 and Dual Coil Humbucking operation. To simplify the wiring requirements, the control leads are designed to allow combining on the same switch contact when necessary, without interaction between pickups.
5. Once your final wiring diagram has been chosen and your parts are laid out, complete the soldering, mount and secure all your components, and if possible, test your completed installation before assembly. Then plug in and play!

Ceramic Bridge Pickup Peak Frequency:

Voice 1 - 635Hz Voice 2 - 3.4kHz

Ceramic Neck Pickup Peak Frequency:

Voice 1 - 780kHz Voice 2 - 3.3kHz

INSTALL GUIDE DEVIN TOWNSEND FLUENCE SIGNATURE SERIES SET



Overview

These instructions provide installation options for the Fishman Fluence Devin Townsend signature pickups. This system includes controls required for a number of different install combinations. But these instructions are not comprehensive. A skilled electronics technician may interpret this overview to create a wider range of installation options.

Installation Warning!

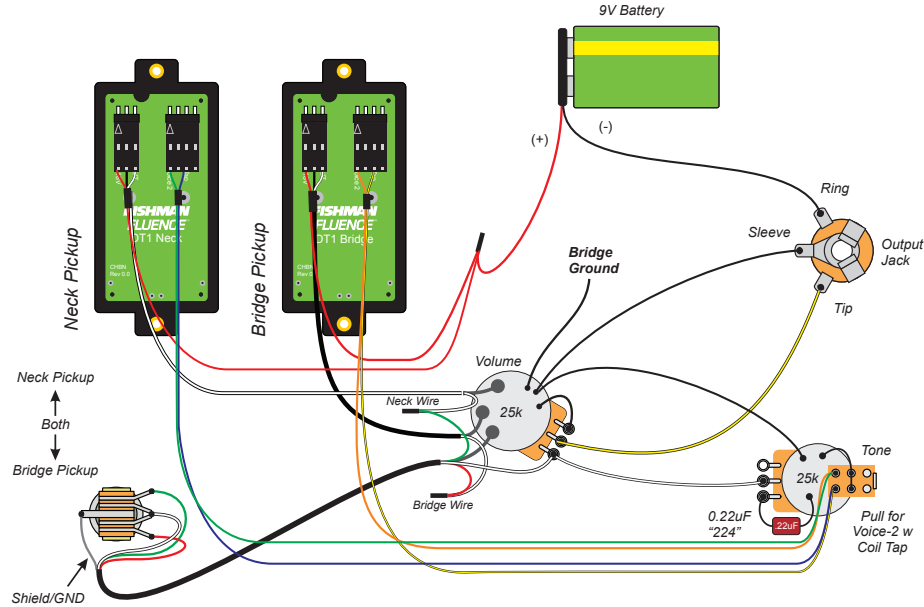
By self-installing and/or misusing this product, you understand and agree that and such uses are high risk activities and, to the extent permitted by law, YOU EXPRESSLY AND VOLUNTARILY ASSUME THE RISK OF DEATH OR OTHER PERSONAL INJURY SUSTAINED WHILE PARTICIPATING IN SUCH ACTIVITIES WHETHER OR NOT CAUSED BY THE NEGLIGENCE OR ANY OTHER FAULT of Fishman, including but not limited to equipment malfunction from whatever cause, or any other fault of Fishman. Additionally, you agree to indemnify, defend and hold Fishman harmless from any third party claims arising from such activities.

FISHMAN FLUENCE™

CAUTION! Excessive pressure may puncture the battery. Isolate all components during installation to eliminate shorting or risk of fire.

Devin Townsend DT1 Set - Standard Guitar Wiring

- Volume
- Tone (Pull for Voice-2 coil tapped)
- 9-Volt Battery



FISHMAN FLUENCE™

CAUTION! Excessive pressure may puncture the battery. Isolate all components during installation to eliminate shorting or risk of fire.

Devin Townsend DT1 Set - Signature Guitar Wiring

- Voice Select Switch in control cavity
- Rechargeable Battery Pack

