

# LEDJ

## **UV 100W COB Flood** User Manual



Order code: LEDJ185

### WARNING

## FOR YOUR OWN SAFETY, PLEASE READ THIS USER MANUAL CAREFULLY BEFORE YOUR INITIAL START-UP!

- Before your initial start-up, please make sure that there is no damage caused during transportation.
- Should there be any damage, consult your dealer and do not use the equipment.
- To maintain the equipment in good working condition and to ensure safe operation, it is necessary for the user to follow the safety instructions and warning notes written in this manual.
- Please note that damages caused by user modifications to this equipment are not subject to warranty.



### IMPORTANT:

The manufacturer will not accept liability for any resulting damages caused by the non-observance of this manual or any unauthorised modification to the equipment.

- Never let the power cable come into contact with other cables. Handle the power cable and all mains voltage connections with particular caution!
- Never remove warning or informative labels from the unit.
- Do not open the equipment and do not modify the unit.
- Do not connect this equipment to a dimmer pack.
- Do not switch the equipment on and off in short intervals, as this will reduce the system's life.
- Only use the equipment indoors.
- Do not expose to flammable sources, liquids or gases.
- Always disconnect the power from the mains when equipment is not in use or before cleaning! Only handle the power-cable by the plug. Never pull out the plug by pulling the power-cable.
- Make sure that the available mains supply voltage is between 110~240V AC, 50/60Hz.
- Make sure that the power cable is never crimped or damaged. Check the equipment and the power cable periodically.
- If the equipment is dropped or damaged, disconnect the mains power supply immediately and have a qualified engineer inspect the equipment before operating again.
- If the equipment has been exposed to drastic temperature fluctuation (e.g. after transportation), do not connect power or switch it on immediately. The arising condensation might damage the equipment. Leave the equipment switched off until it has reached room temperature.
- If your product fails to function correctly, stop use immediately. Pack the unit securely (preferably in the original packing material), and return it to your Pro Light dealer for service.
- Only use fuses of same type and rating.
- Repairs, servicing and power connection must only be carried out by a qualified technician. THIS UNIT CONTAINS NO USER SERVICEABLE PARTS.
- This lighting fixture is for professional use only - it is not designed for or suitable for household use. The product must be installed by a qualified technician in accordance with local territory regulations. The safety of the installation is the responsibility of the installer. The fixture presents risks of severe injury or death due to fire hazards, electric shock and falls.
- Warning! Risk Group 2 LED product according to EN 62471. Do not view the light output with optical instruments or any device that may concentrate the beam.
- WARRANTY: One year from date of purchase.

### OPERATING DETERMINATIONS

If this equipment is operated in any other way, than those described in this manual, the product may suffer damage and the warranty becomes void. Incorrect operation may lead to danger e.g: short-circuit, burns and electric shocks etc.

Do not endanger your own safety and the safety of others!

Incorrect installation or use can cause serious damage to people and/or property.

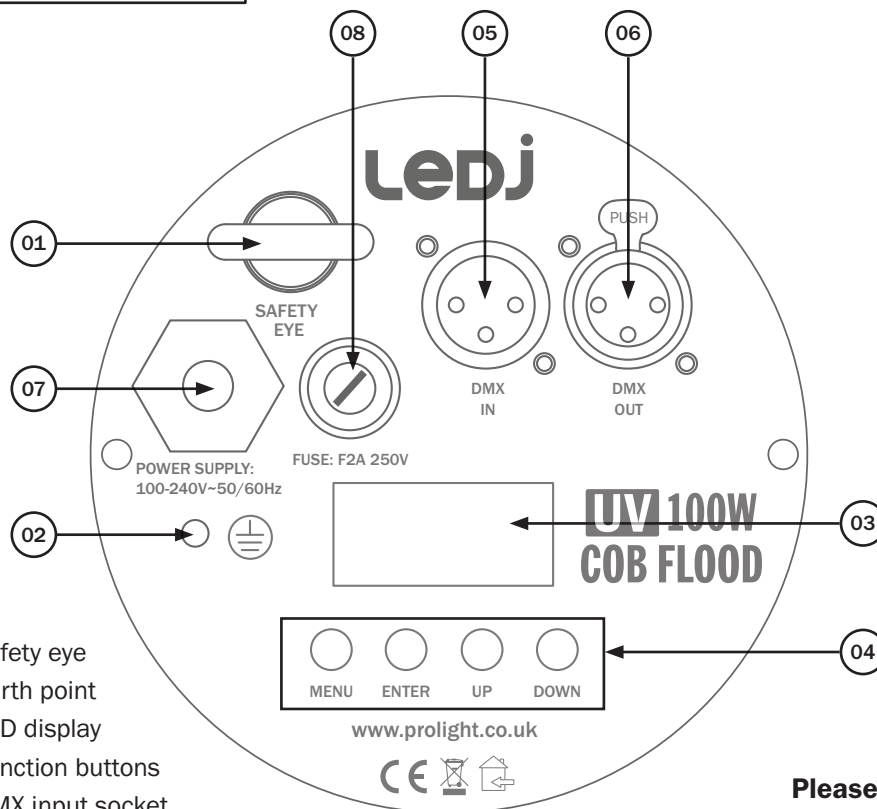
### UV 100W COB Flood

Featuring COB (chip-on-board) technology the LEDJ UV 100W COB Flood is loaded with a 100W UV LED which is housed in a 50° reflector. Control of the unit is facilitated via a 4 button menu and LCD display. The whole fixture is enclosed in a robust cast aluminium housing.

- 1 x 100W UV COB LED
- Beam angle: 50° (field angle: 80°)
- 1.1kHz refresh rate
- DMX channels: 1 or 2 selectable
- Stand alone, sound active and master/slave modes
- 0 - 100% dimming with variable strobe
- 4 push button menu with LED display
- Captive power connection
- 3-pin XLR in/out sockets
- Fan cooled
- Supplied with hanging bracket and filter frame
- Optional 10° (ELUM102) or 25° (ELUM103) lenses
- Optional Barn Doors (ELUM041C)

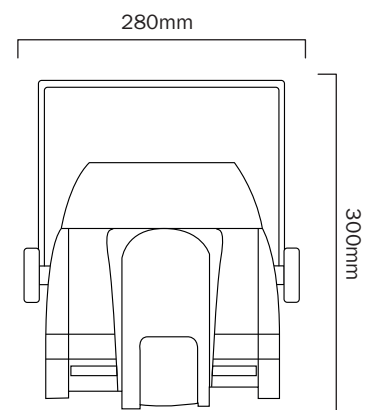


In the box: **1 x fixture,**  
**& 1 x user manual**



- 01 - Safety eye
- 02 - Earth point
- 03 - LED display
- 04 - Function buttons
- 05 - DMX input socket
- 06 - DMX output socket
- 07 - Captive power connection
- 08 - Fuse F2A 250V

Specifications	UV 100W COB Flood
Power consumption	110W
Power supply	110~240V, 50/60Hz
Fuse	F2A 250V
Dimensions	303 x 300 x 180mm
Weight	3.7kg
Order code	LEDJ185



**Please note:** The COB UV LED installed into this fixture has dispersed LED emitters, you may notice that not all pixels will illuminate. This is to enable better cooling across the chip and does not indicate a faulty LED.

### DMX channel mode:

To access the DMX channel mode, press the “**MODE**” button on the rear of the unit to show *ADD 1* on the LED display. Now press the “**ENTER**” button and use the “**UP**” and “**DOWN**” buttons to set the desired DMX address. Now press the “**ENTER**” button to choose one of the 1 or 2 DMX channel modes using the “**UP**” and “**DOWN**” buttons, and press the “**ENTER**” use the “**UP**” and “**DOWN**” buttons to set what the unit should do if it loses DMX signal.

*bL C* - The unit will blackout if DMX signal is lost.

*Soun* - The unit will go into sound active mode if DMX signal is lost.

*Hold* - The unit will hold the last DMX command if DMX signal is lost.

To exit out of any of the above options, press the “**MODE**” button.

### 1 channel mode:

Channel	Value	Function
1	000-255	Master dimmer (0-100%)

### 2 channel mode:

Channel	Value	Function
1	000-255	Master dimmer (0-100%)
2	000-255	Flash speed (slow to fast)

### Static mode:

To access static mode press “**ENTER**” until the display shows *C - 00* on the LED display.

To adjust the brightness use the “**UP**” and “**DOWN**” buttons to select between *C - 00 ~ C - 99*.

Press the “**ENTER**” button to confirm the setting. Now use the “**UP**” and “**DOWN**” buttons to adjust the flash speed by selecting between *F - 00 ~ F - 99*. Press the “**ENTER**” button to confirm the setting.

To exit out of any of the above options, press the “**MODE**” button.

### Slave mode:

Press the “**MODE**” button on the rear of the unit to show *SLAU* on the LED display and press the “**ENTER**” button to confirm the setting. The unit will now run in sequence with the master unit.

To exit out of any of the above options, press the “**MODE**” button.

Please ensure that all slave units are set to the same DMX channel mode as the master unit.

### Sound active mode:

To access the sound active mode, press the “**MODE**” button on the rear of the unit to show *SU00* on the LED display. Now press the “**ENTER**” button and use the “**UP**” and “**DOWN**” buttons to set the sound sensitivity level from *SU00 ~ SU99* and press the “**ENTER**” button to confirm the setting.

**Value: 00 - 99 (00 = low, 99 = high)**

To exit out of any of the above options, press the “**MODE**” button.

### Menu system

Static mode	<i>C - 00 ~ C - 99</i> Brightness (0-100%) <i>F - 00 ~ F - 99</i> Flash speed (slow-fast)
Slave mode	<i>SLAU</i>
Sound active mode	<i>SU00 ~ SU99</i>

DMX mode	1CH, 2CH
Address setting	<i>ADD 1 ~ ADD 12</i>

### Setting the DMX address:

The DMX mode enables the use of a universal DMX controller. Each fixture requires a “start address” from 1- 512. A fixture requiring one or more channels for control begins to read the data on the channel indicated by the start address. For example, a fixture that occupies or uses 7 channels of DMX and was addressed to start on DMX channel 100, would read data from channels: 100,101,102,103,104,105 and 106. Choose a start address so that the channels used do not overlap. E.g. the next unit in the chain starts at 107.

### DMX 512:

DMX (Digital Multiplex) is a universal protocol used as a form of communication between intelligent fixtures and controllers. A DMX controller sends DMX data instructions from the controller to the fixture. DMX data is sent as serial data that travels from fixture to fixture via the DATA “IN” and DATA “OUT” XLR terminals located on all DMX fixtures (most controllers only have a data “out” terminal).

### DMX linking:

DMX is a language allowing all makes and models of different manufactures to be linked together and operate from a single controller, as long as all fixtures and the controller are DMX compliant. To ensure proper DMX data transmission, when using several DMX fixtures try to use the shortest cable path possible. The order in which fixtures are connected in a DMX line does not influence the DMX addressing. For example; a fixture assigned to a DMX address of 1 may be placed anywhere in a DMX line, at the beginning, at the end, or anywhere in the middle. When a fixture is assigned a DMX address of 1, the DMX controller knows to send DATA assigned to address 1 to that unit, no matter where it is located in the DMX chain.

### DATA cable (DMX cable) requirements (for DMX operation):

This fixture can be controlled via DMX-512 protocol. The DMX address is set on the back of the unit. Your unit and your DMX controller require a standard 3-pin XLR connector for data input/output, see image below.



Further DMX cables can be purchased from all good sound and lighting suppliers or Pro Light Concepts dealers.

Please quote:

**CABL10 – 2m**

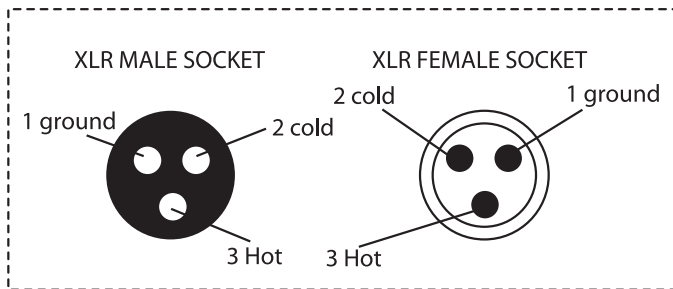
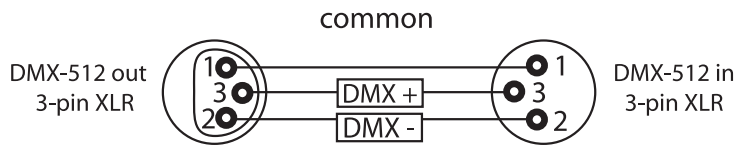
**CABL11 – 5m**

**CABL12 – 10m**

Also remember that DMX cable must be daisy chained and cannot be split.

**Notice:**

Be sure to follow the diagrams below when making your own cables. Do not connect the cables shield conductor to the ground lug or allow the shield conductor to come in contact with the XLRs outer casing. Grounding the shield could cause a short circuit and erratic behaviour.



XLR Pin Configuration
Pin 1 = Ground
Pin 2 = Negative
Pin 3 = Postive

**Special note:**

**Line termination:**

When longer runs of cable are used, you may need to use a terminator on the last unit to avoid erratic behaviour.

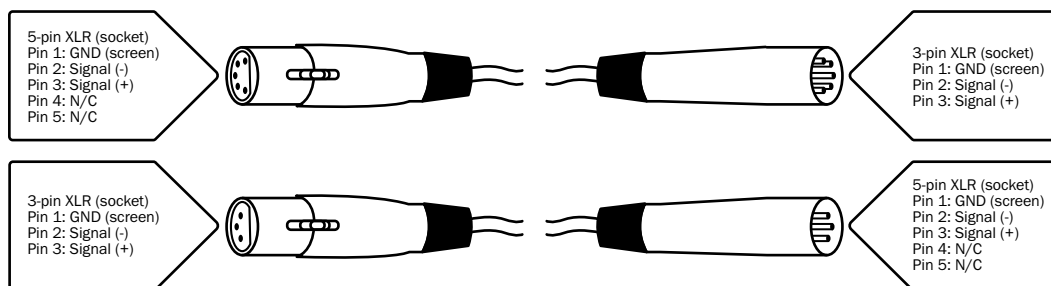
**Using a cable terminator will decrease the possibilities of erratic behaviour.**

**(3-pin - Order ref: CABL90, 5-pin - Order ref: CABL89)**

Termination reduces signal transmission problems and interference. it is always advisable to connect a DMX terminal, (resistance 120 Ohm 1/4 W) between pin 2 (DMX-) and pin 3 (DMX+) of the last fixture.

**5-pin XLR DMX connectors:**

Some manufactures use 5-pin XLR connectors for data transmission in place of 3-pin. 5-pin XLR fixtures may be implemented in a 3-pin XLR DMX line. When inserting standard 5-pin XLR connectors in to a 3-pin line a cable adaptor must be used. The diagram below details the correct cable conversion.





***Correct Disposal of this Product  
(Waste Electrical & Electronic Equipment)***

**(Applicable in the European Union and other European countries  
with separate collection systems)**

This marking shown on the product or its literature, indicates that it should not be disposed of with other household wastes at the end of its working life. To prevent possible harm to the environment or human health from uncontrolled waste disposal, please separate this from other types of wastes and recycle it responsibly to promote the sustainable reuse of material resources.

Household users should contact either the retailer where they purchased this product, or their local government office, for details of where and how they can take this item for environmentally safe recycling.

Business users should contact their supplier and check the terms and conditions of the purchase contract. This product should not be mixed with other commercial wastes for disposal.



**LEDj**