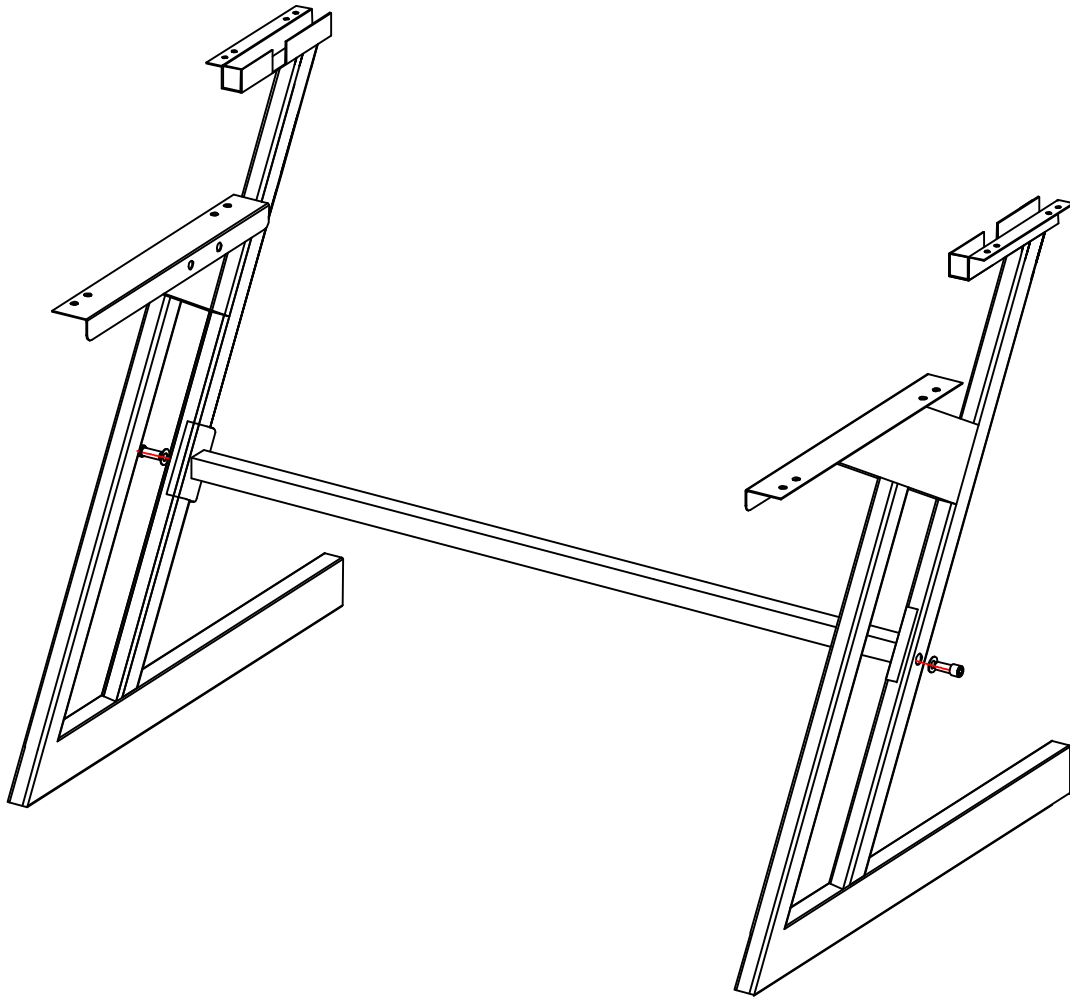


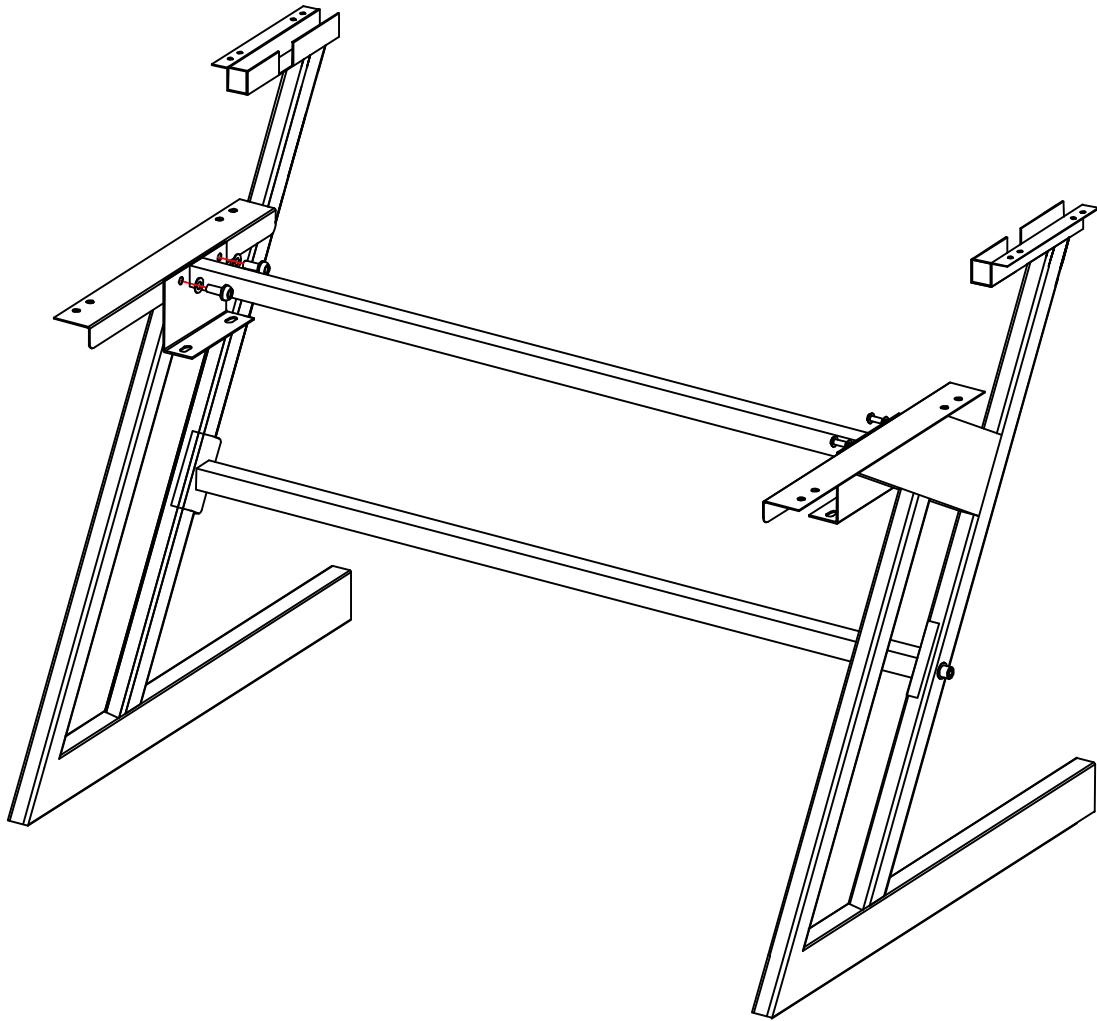
3 Tier Home Studio Desk by Gear4music

Assembly Guide

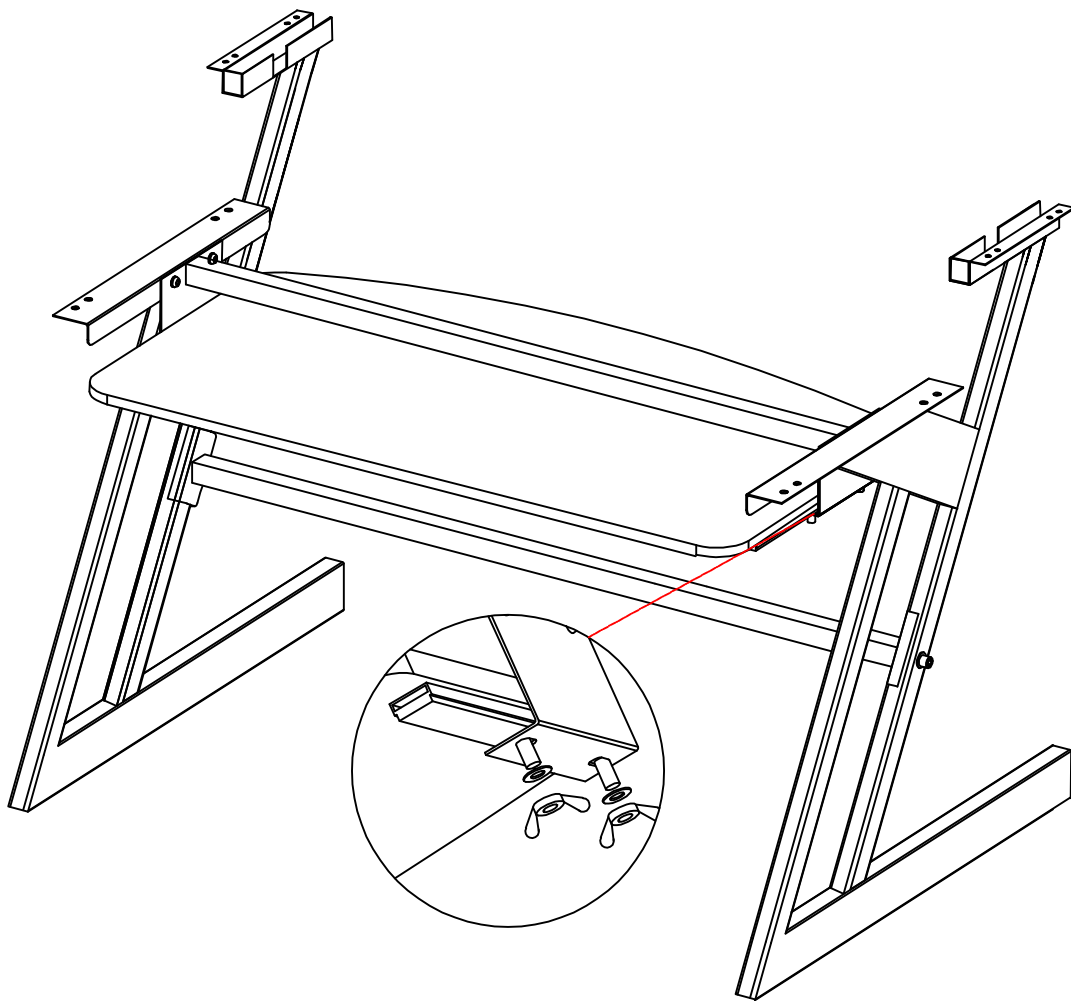
SWS-120



1. Connect the two main legs with the cross-support bar, as shown in the picture.
Use the allen key to tighten the bolts.

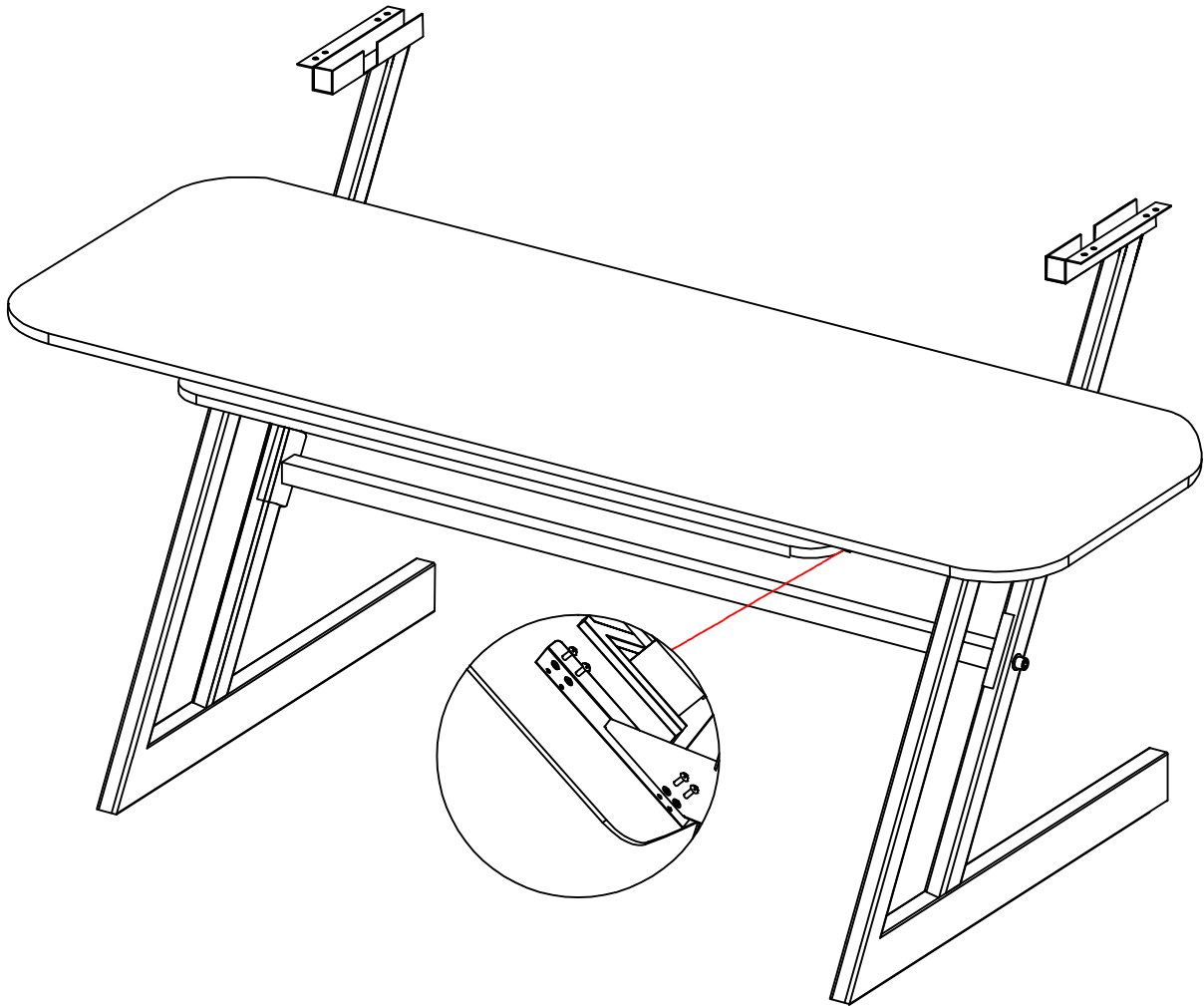


2. Connect the main shelf cross bracket to the main legs, attach the keyboard shelf and tighten the screws.

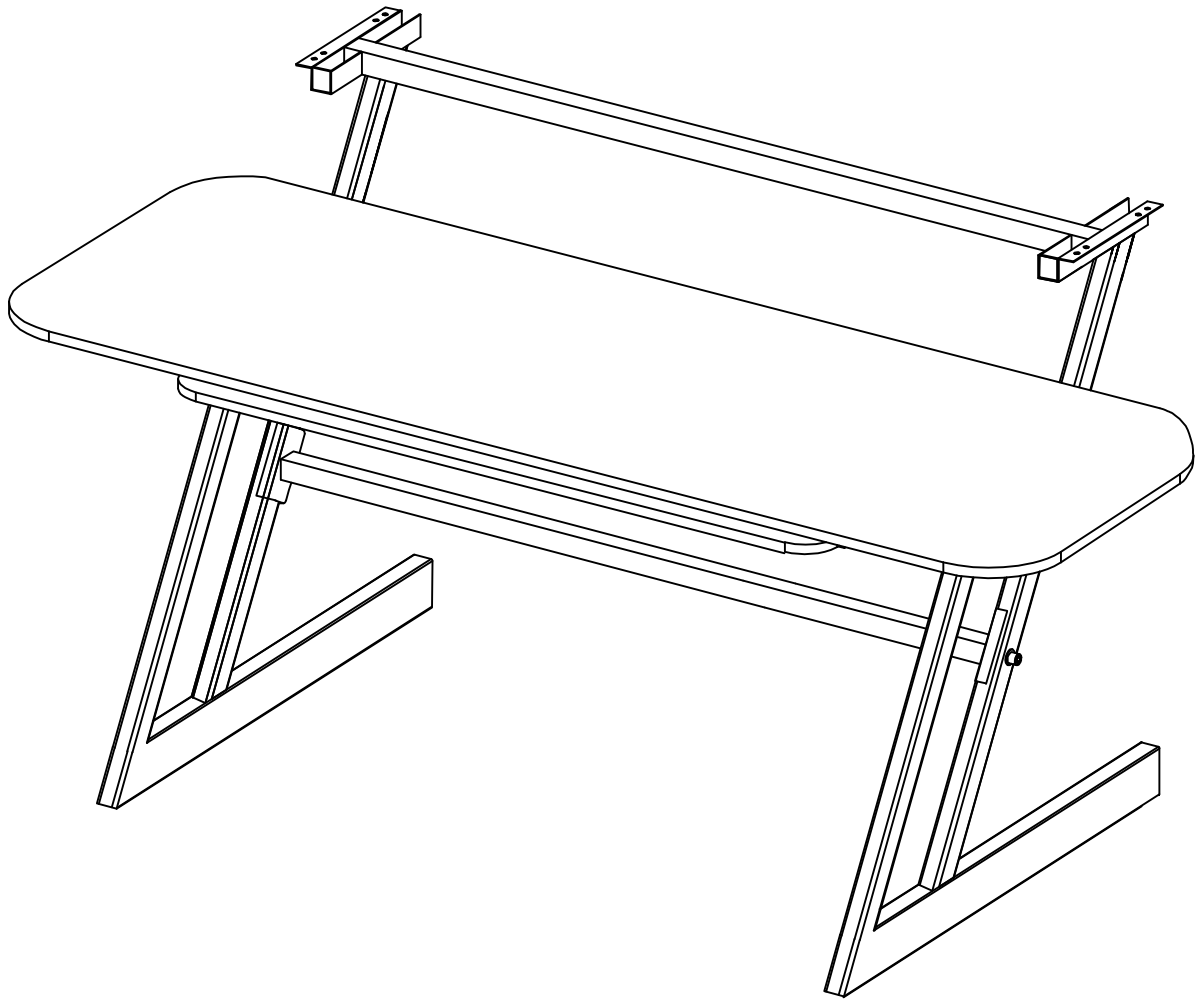


3. Place the keyboard shelf in the support brackets and use the bolts to attach to the unit.

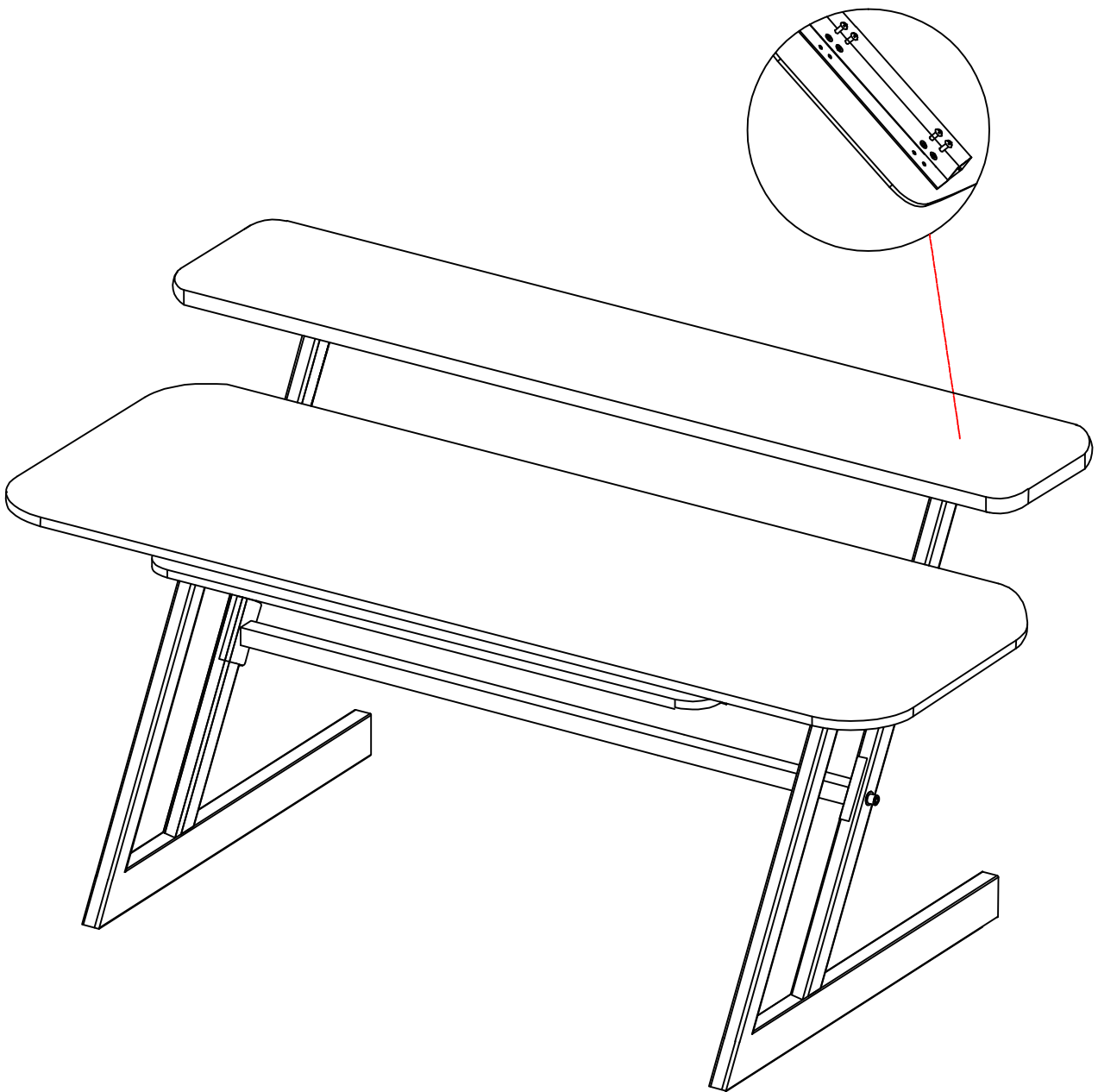
A safety screw is already installed, remove to let the shelf slide further out.



4. Place the main shelf on the support brackets at the desired depth, mount with the provided wood screws, you will need to pre drill the holes.



5. Place the upper shelf cross-bar on top of the main legs, as pictured.



6. Mount the uppershelf using the included wood screws.

You will need to pre drill the holes.