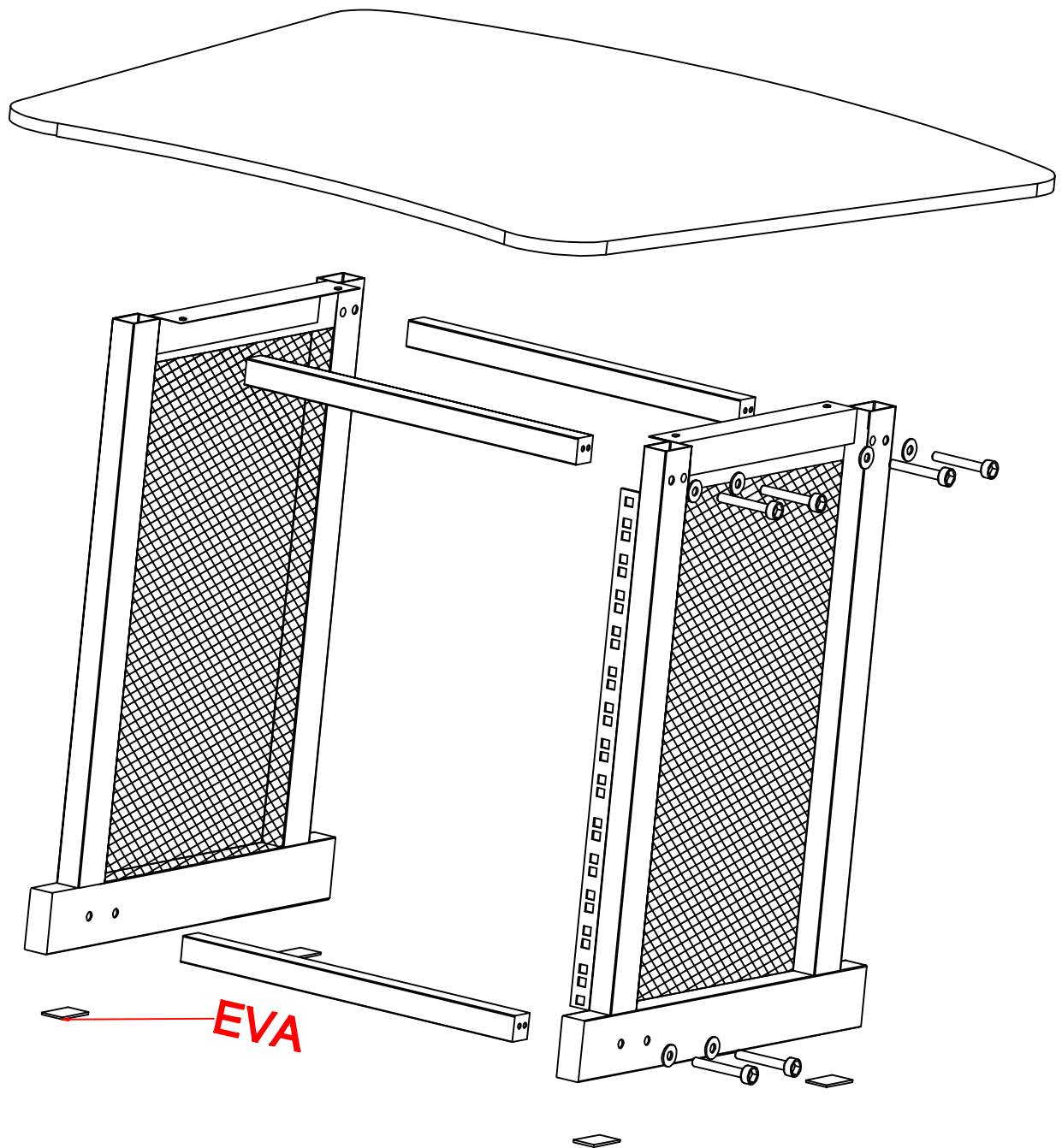


19" 12U Studio Rack Cabinet by Gear4music

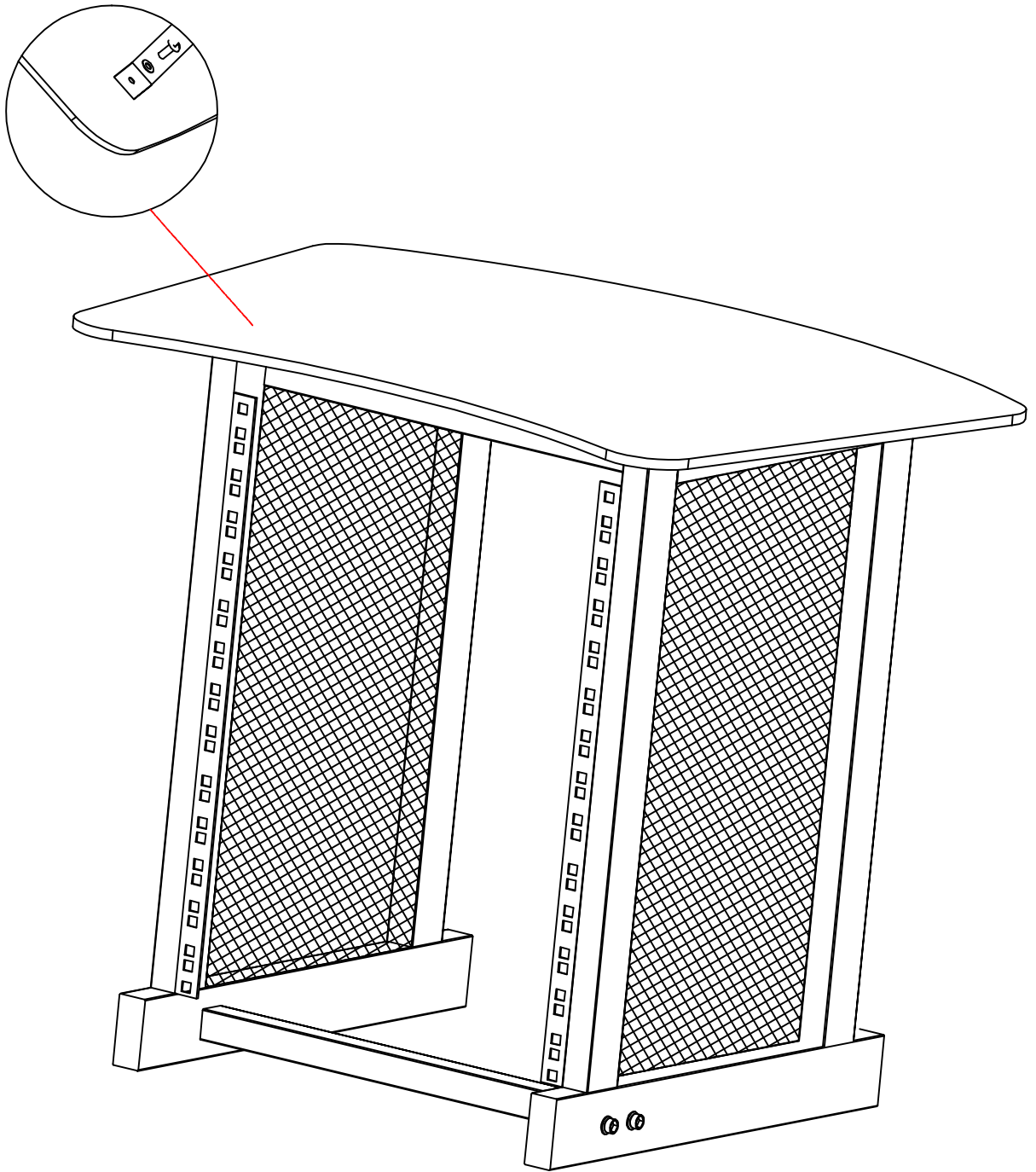
Assembly Guide

SR-1912



1. Assemble the side panels using the cross bar supports as shown, tighten the bolts firmly.

Attach the EVA pads underneath the feet if required.



2. Mount the top with provided wood screws, you need to select the placement and pre-drill holes.

The curve of the wood is as pictured.