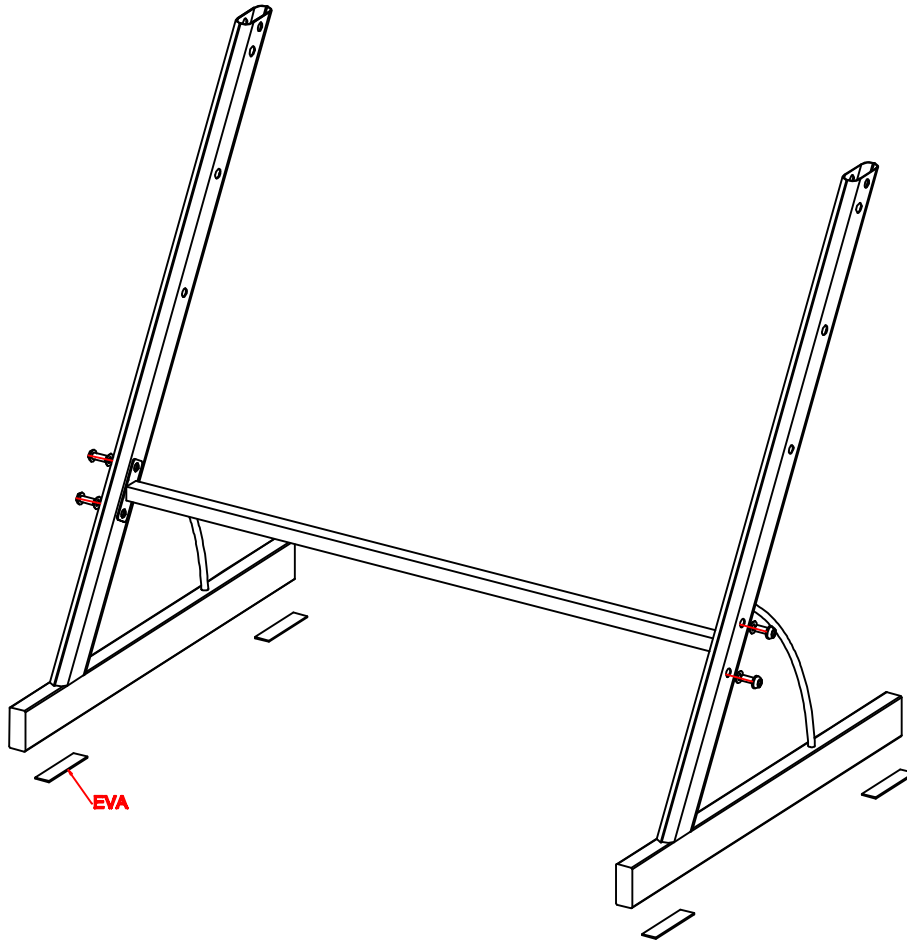


Large 3 Tier Studio Desk by Gear4music, 8U

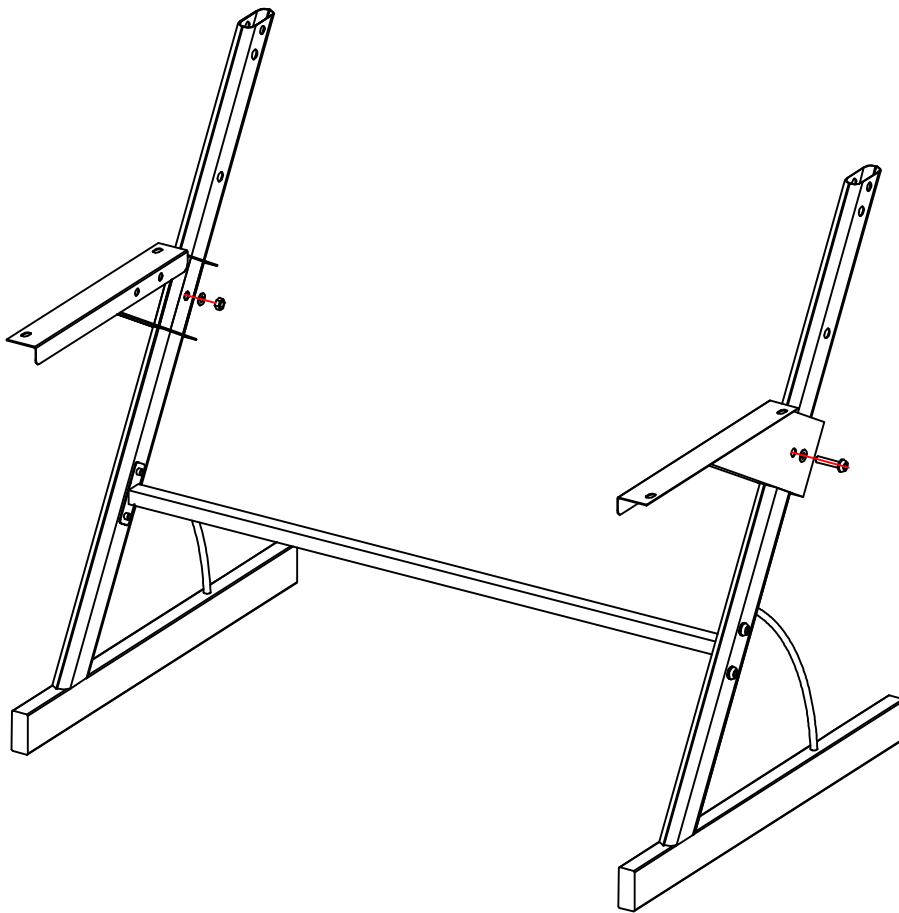
## Assembly Guide

SWS-175



1. Connect the two main feet to the cross bar, using the washers and screws. (Allen Key Required)

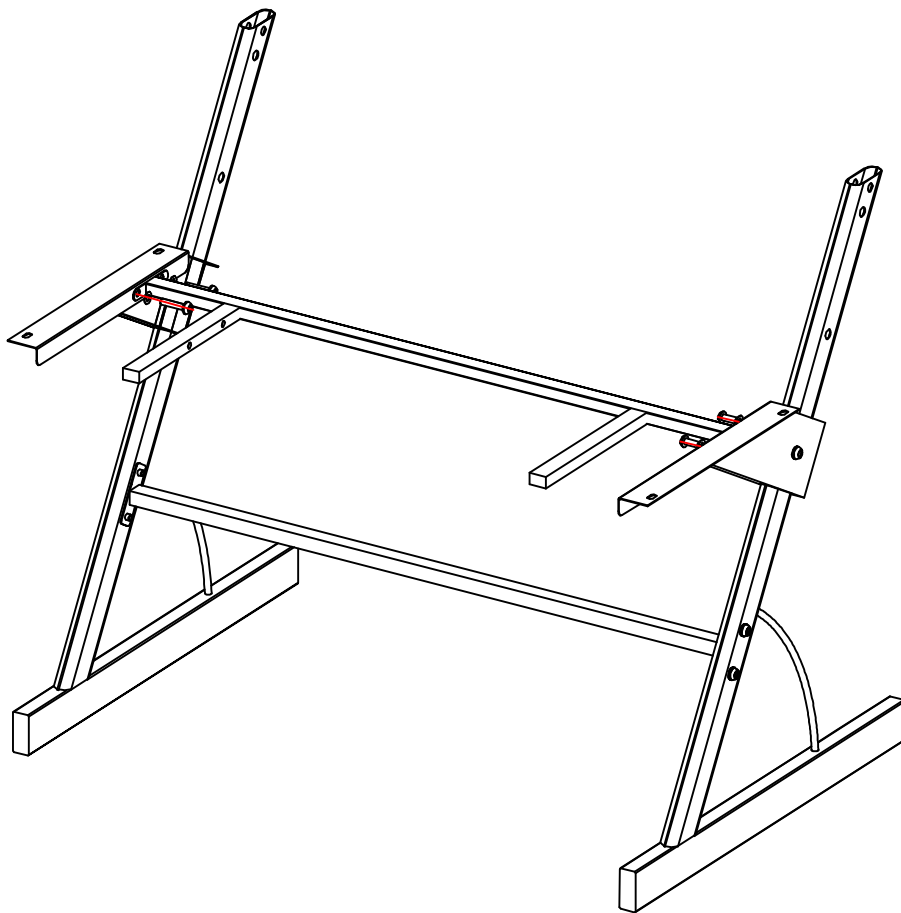
Attach the EVA pads underneath the feet if required.



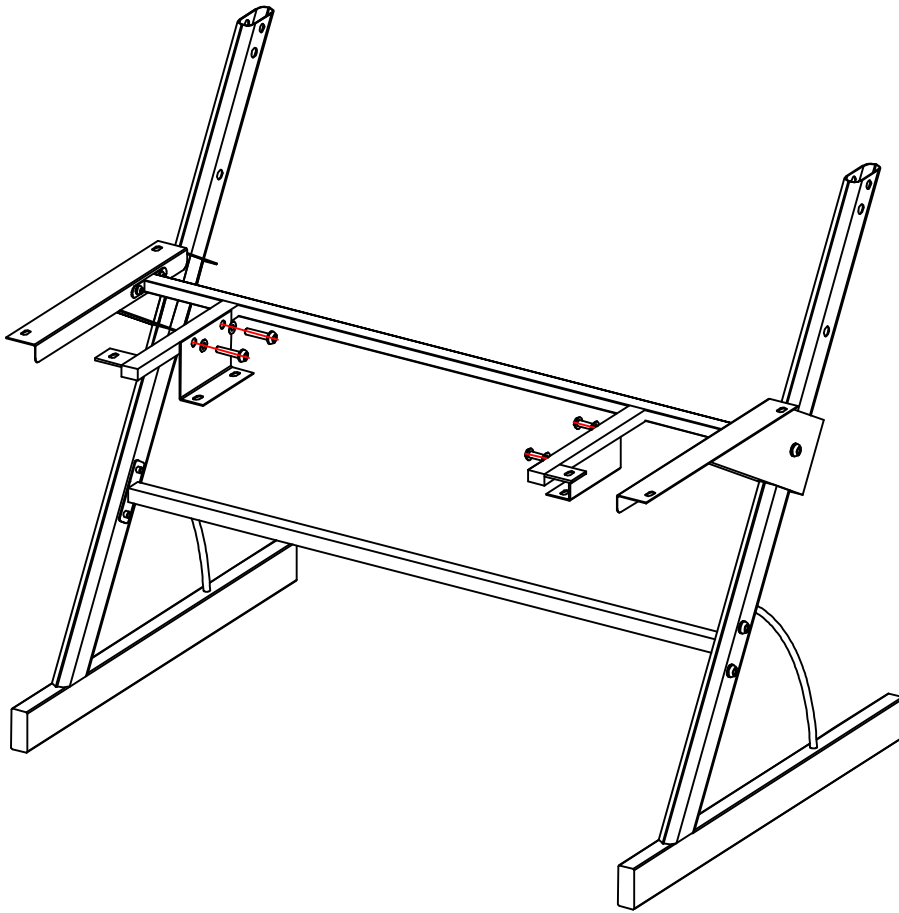
2. Put the two main desk brackets on the main feet as pictured.

Tighten with allen key.

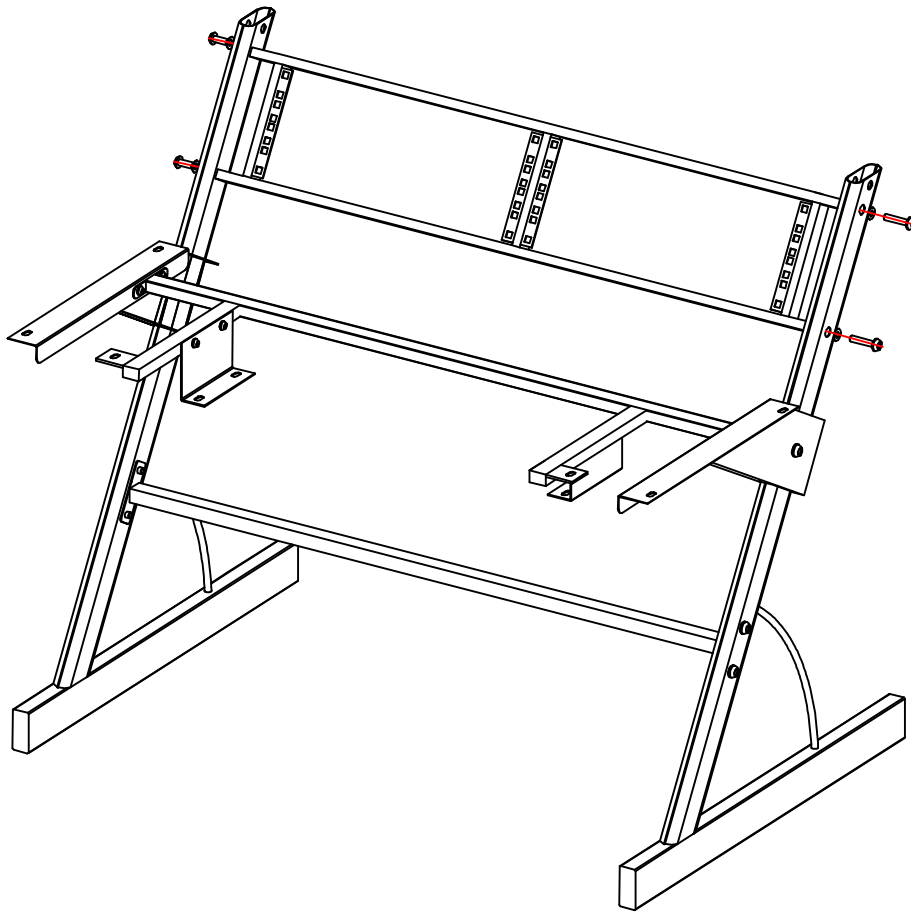
The height of these brackets is optional.



3. Connect the main shelf cross bracket to the main desk brackets, as shown in the above picture. Tighten the screws.

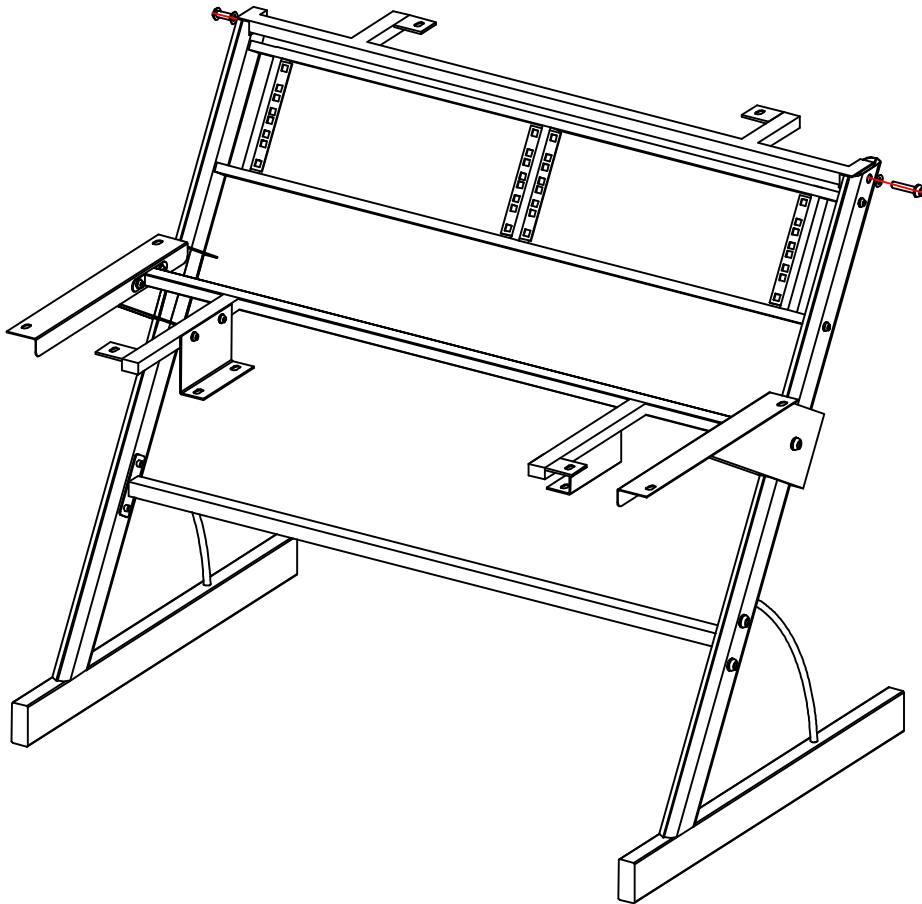


4. Attach the keyboard shelf brackets, as pictured, tighten the screws.

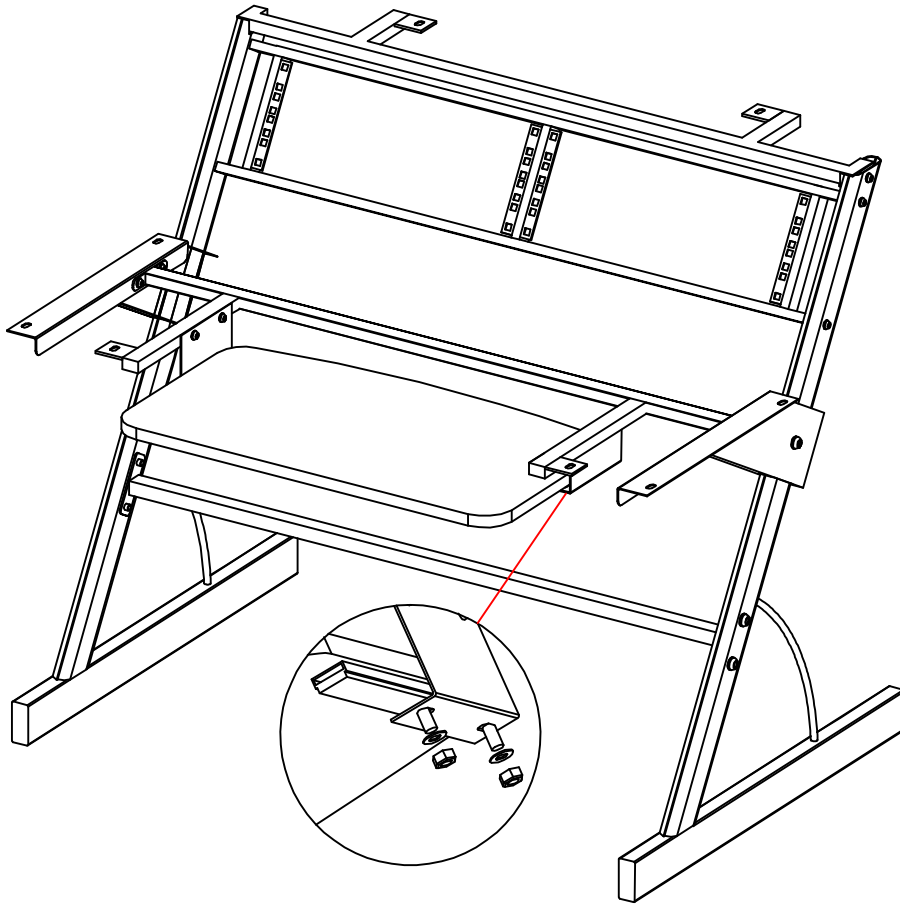


5. Attach the equipment rack to the top of the main feet as shown.

Tighten screws.



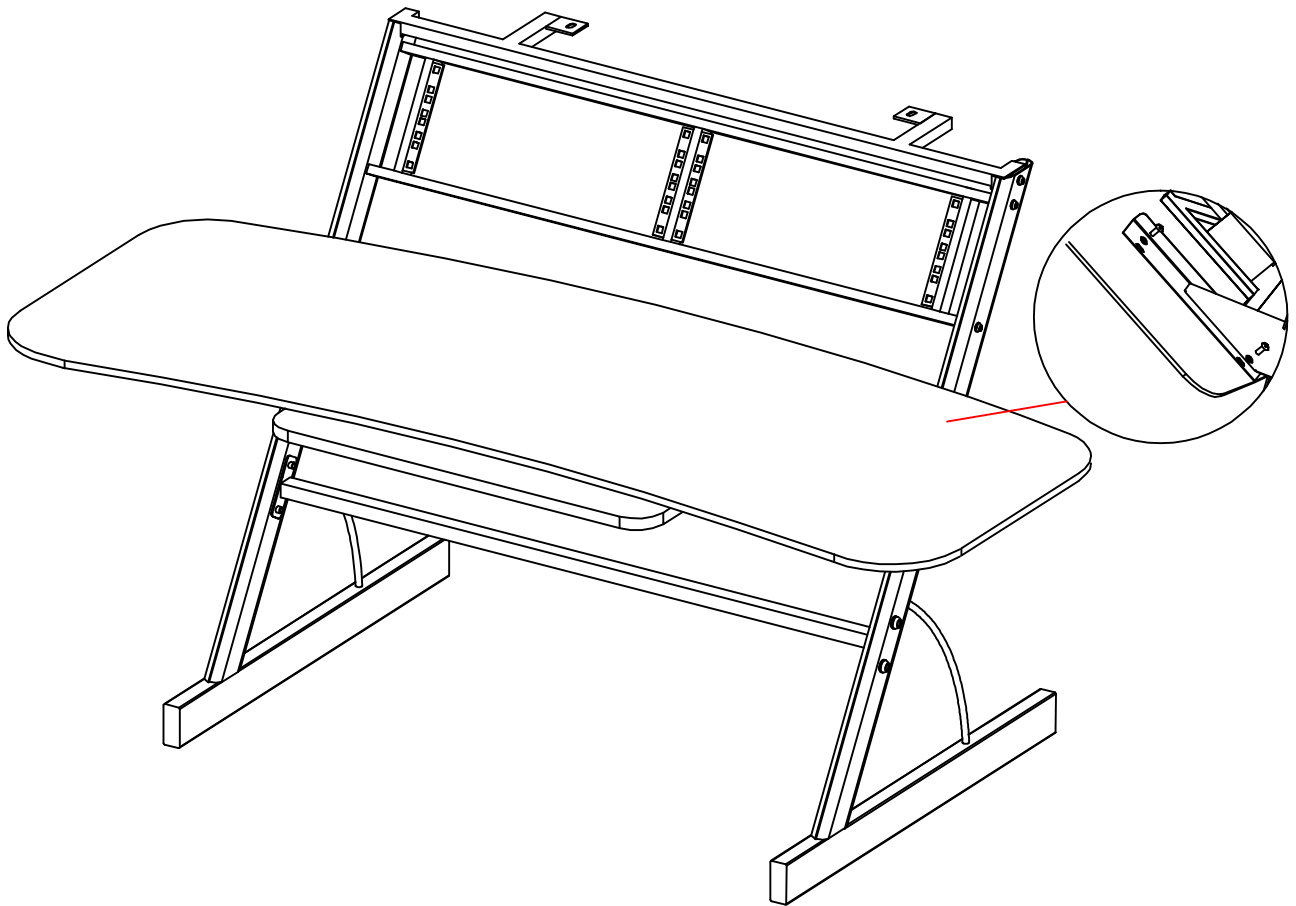
6. Connect the top shelf bracket to the stand, as pictured.



7. Mount the keyboard shelf on the brackets and tighten the screws.

A safety screw is already installed, you can remove this to allow the shelf to extend further.

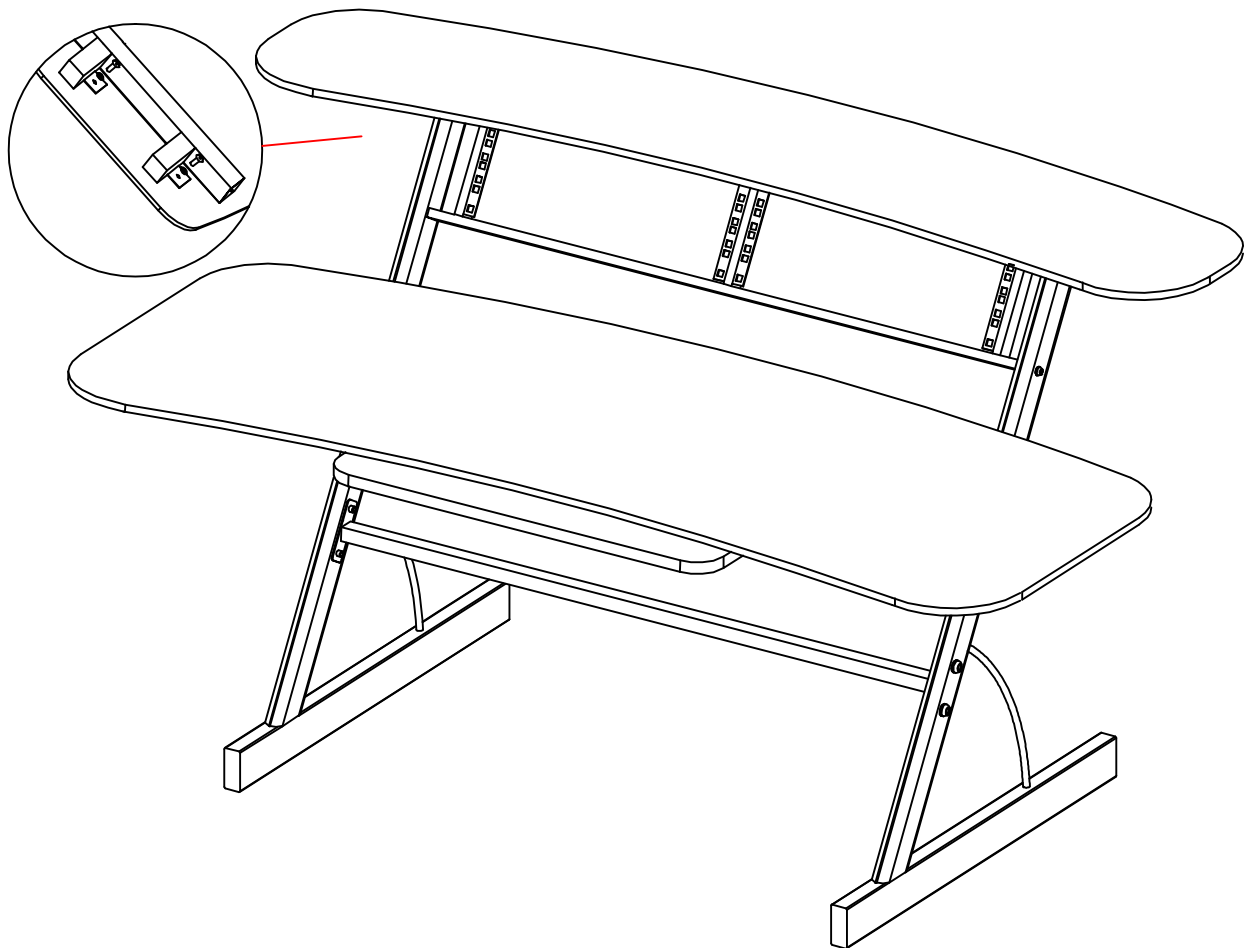




8. Install the main shelf with the wooden screws.

You need to pre-drill holes for the screws.

Check curve of the shelf, as per picture.



9. Attach the top shelf, as per the last step, you will need to pre-drill holes.

Check curve of the shelf, as per picture.