

# VIBRAMATE®

## Installation Instructions

**WARNING – To prevent damage to your instrument, carefully follow these installation instructions.**

Thank you for selecting the Vibramate V5 Mounting Kit. This kit has been designed for the simple installation of a Bigsby Original B5 Vibrato on to your guitar without the need to drill holes or make any other permanent changes to your instrument.

Step 1) Visually inspect the Vibramate mounting plate for alignment. The large mounting holes should align with the existing Stop-Tailpiece inserts on your instrument.

Step 2) Remove the strings from your guitar. (You may want to cover the instrument with a soft cloth or towel to protect the finish and for added safety during installation.)

Step 3) Carefully remove the existing Stop-Tailpiece from your guitar. Unscrew and remove both mounting screws. (Save the Stop-Tailpiece and mounting screws in case you decide to remount the original tailpiece.)

Step 4) Determine if your mount requires English or Metric mounting screws by carefully testing one of the kit-included screws with your existing inserts.

Step 5) Place the Vibramate Mounting plate on your guitar with the felt-pad side down - add spacers beneath the Mounting plate if needed. Align the mounting holes with the inserts and secure with correct mounting screws - do not over tighten.

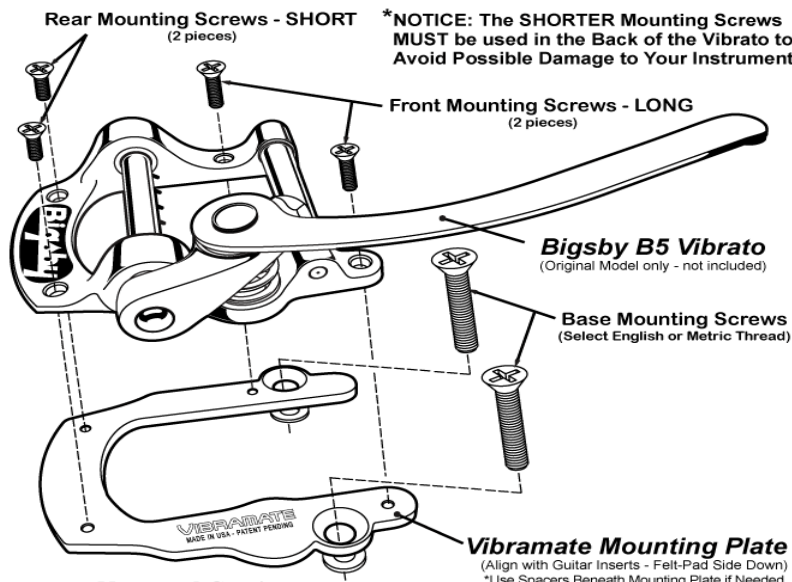
Step 6) Remove the felt pads on the bottom of the Bigsby B5 Vibrato.

Step 7) Position the Vibrato on to the mounting plate aligning the mounting screw holes.

\*\*\*\*\* WARNING \*\*\*\*\* WARNING \*\*\*\*\* WARNING \*\*\*\*\*  
**THE SHORTER MOUNTING SCREWS MUST BE USED IN THE BACK OF THE VIBRATO TO AVOID DAMAGE TO YOUR INSTRUMENT!**  
\*\*\*\*\* SEE ILLUSTRATION BELOW \*\*\*\*\*

Step 8) Secure the Vibrato with the 4 small mounting screws included. **Note that the SHORTER mounting screws MUST be used in the BACK of the Vibrato while the longer screws are used in the front.**

Step 9) Re-string the guitar according to the Vibrato instructions and enjoy!



### \*Important Notes and Cautions:

- 1) Read all instructions, warnings and disclaimers prior to installation of this product, UE Corporation will not be held responsible for any damage to your instrument.
- 2) Use a qualified repairman or service if you are uncomfortable working on your guitar.
- 3) Some finishes can damage easily from contact with other objects including the Vibramate plate and felt pads. Consult a specialist prior to installation if this is a concern.
- 4) If the inserts in your guitar are loose you can carefully remove them and re-secure with a small amount of wood glue. Allow dry time of 24 hours before installing Vibramate.
- 5) If you are missing hardware or having trouble with the installation of your mounting kit please contact our technical service department by e-mail at: [info@vibramate.com](mailto:info@vibramate.com).

**Unique Engineering Corporation**

po box 126 • ringoes • nj • 08551

Tel: 609-466-8101 • Fax: 609-466-8160

**WWW.VIBRAMATE.COM**

©2011 Unique Engineering Corporation • The Vibramate® Name & Logo are Registered Trademarks of UE Corporation  
Vibramate US Patents #7812232 • #D605687 • Additional Patents Pending • All Rights Reserved • The Bigsby® mark and  
Bigsby tailpiece designs are registered trademarks of Fred W. Gretsch Enterprises, Ltd., which is not affiliated with Vibramate.