



0230-0 259rB

PO BOX 4394  
SANTA ROSA, CA  
95402 USA

P (707) 525-9941  
F (707) 575-7046  
EMGPICKUPS.COM

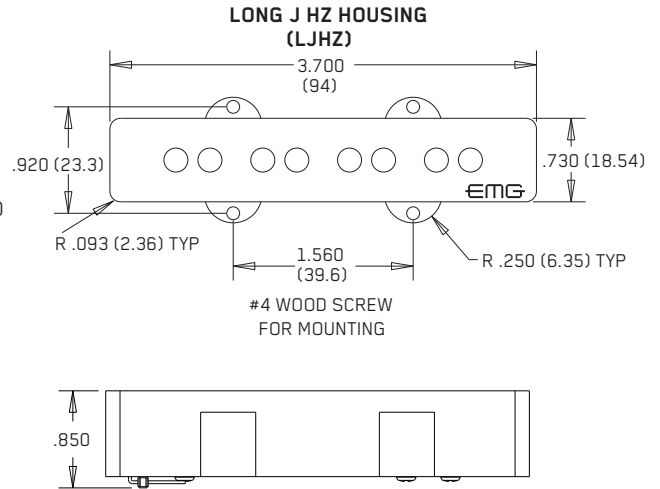
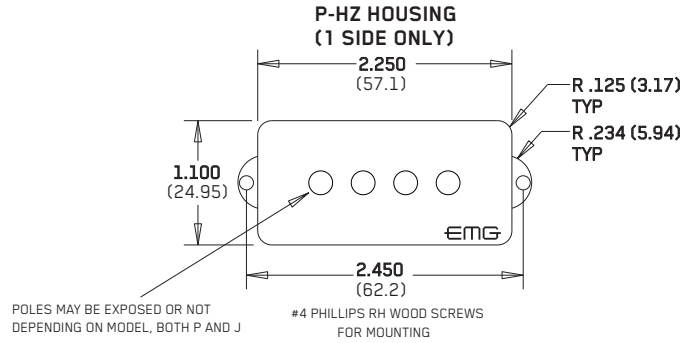
## INSTALLATION INFORMATION EMG MODEL: PJ-HZ SET

### SPECIFICATIONS

Pickup Types: Passive  
Logo Color  
Magnet Type  
Inductance (Henries)  
DC Resistance (kOhm)  
Resonant Frequency (KHz) (1)  
Resonant Frequency (KHz) (2)  
Impedance at Resonance (kOhm) (1)  
(1) Loaded with 250K Volume and Tone  
and 20' (6M) 560pf cable  
(2) Loaded with 1 MegOhm / 47pf

### MODEL:

	P-HZ	J-HZ (LONG)
Logo Color	Gold	Gold
Magnet Type	Alnico 5	Alnico 5
Inductance (Henries)	6.12	2.74
DC Resistance (kOhm)	11.2	7.7
Resonant Frequency (KHz) (1)	1.77	2.4
Resonant Frequency (KHz) (2)	2.36	3.2
Impedance at Resonance (kOhm) (1)	68.00	41.29

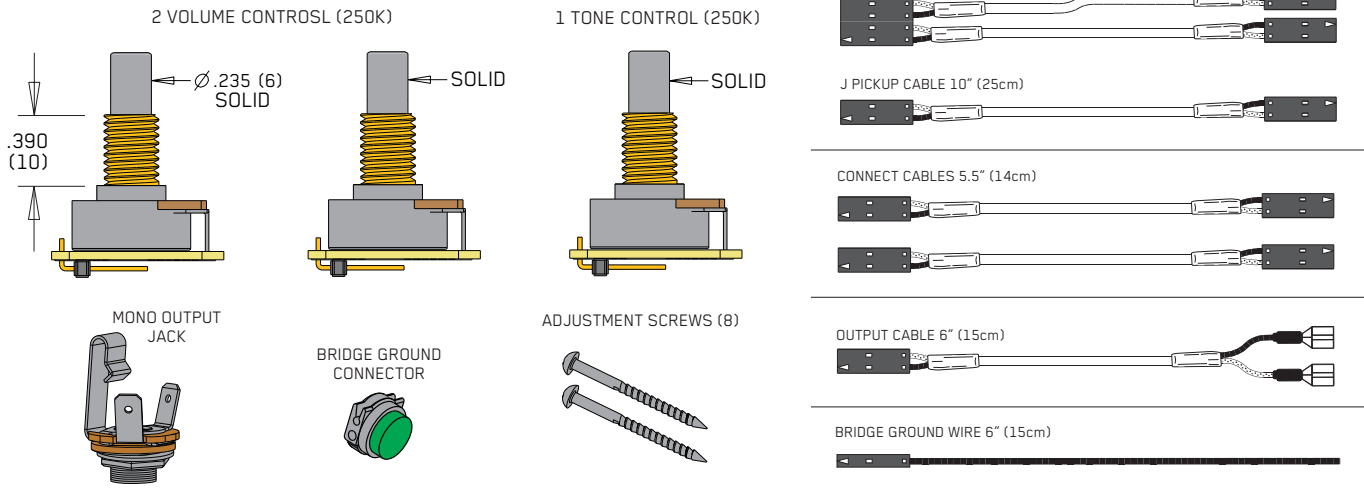


### INSTALLATION NOTES:

As you can see from the diagrams above, the PJ-HZ Set consists of a P Style Pickup and the longer Bridge Pickup (LJ) from a J Set. It's common to use the longer bridge pickup when mixing with a P Style Pickup because the pole pieces of the bridge pickup are spaced further apart. All EMG-HZ Pickups are compatible with each other. The connector system is an easy method of installation, avoiding the need to solder. EMG Accessory Circuits like the VLPF, EXB, BTC or BQC Controls can be added to any EMG Pickup System, all have buffered inputs and can be used on either passive or active pickups. Adding Active circuitry will require a battery.

It is common to ground (earth) the strings of an instrument that uses passive pickups. This means there will be a wire coming from the bridge into the control cavity that will be hooked to one of the pots. Included with the system is a single black wire with a connector on it and an IDC connector that will attach to the existing ground wire and will provide the ground (earth) connection.

### INCLUDED WITH THE SET:



### WARRANTY

All EMG Pickups and accessories are warranted for a period of two years. This warranty does not cover failure due to improper installation, abuse or damage. If upon examination the pickup is determined to be defective, a replacement will be made. Warranty replacement products are covered by this same warranty. This warranty covers only those pickups and accessories sold by authorized EMG Dealers. This warranty is not transferable.

**Installation Instructions:**

**EMG Models: PJ-HZ SET**

**General Notes:**

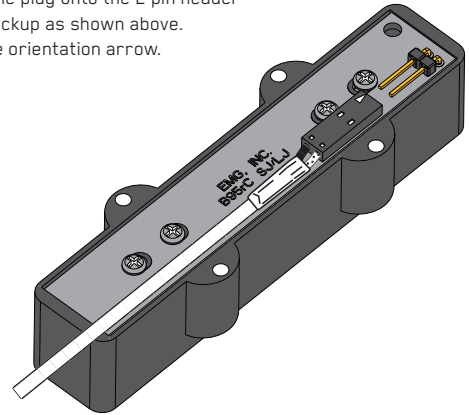
Every attempt has been made to make this a solderless installation. There are some instances where this is not possible;  
 1) If your instrument uses the long panel output jack, soldering will be required  
 2) Instruments with two pickups may need soldering to the selection switch in some installations.

**Installation**

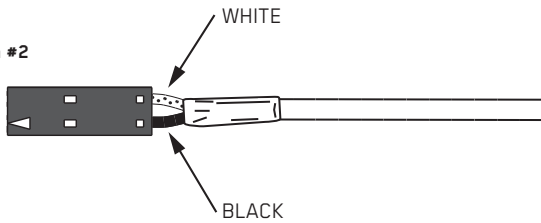
- Diagrams #1 and #1a show how to install the pickup cable onto the back of the pickup. It's a good idea to keep an extra length of cable in the pickup cavity if possible. Route the cables to the control cavity. Diagram #2 shows the color code of the cable, be sure to pay attention to the colors when you are installing the pickup and interconnect cables.
- The most common method of wiring J Bass Pickups is using the Volume/Volume/Tone arrangement shown in Diagram #3. If your guitar is wired in the same fashion, simply follow the diagram and install the cables as shown.
- If your instrument has a selection switch or the wiring is different, visit our website; [emgpickups.com](http://emgpickups.com) for more diagrams and video installations.

**Diagram #1**

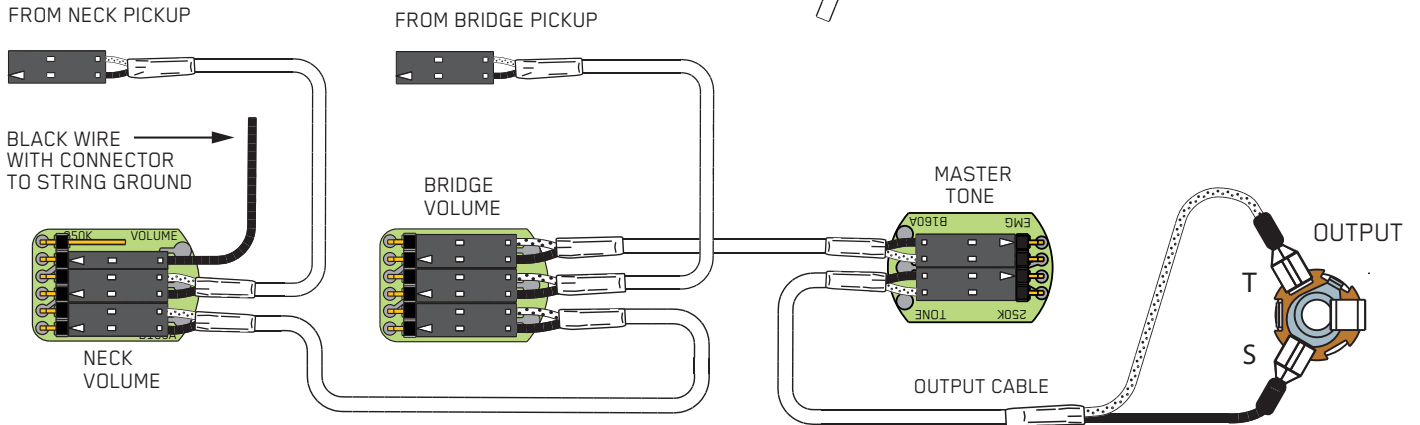
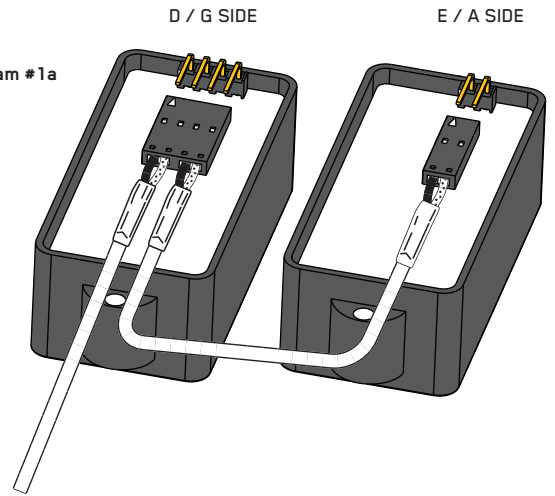
Insert the plug onto the 2 pin header of the pickup as shown above. Note the orientation arrow.



**Diagram #2**



**Diagram #1a**

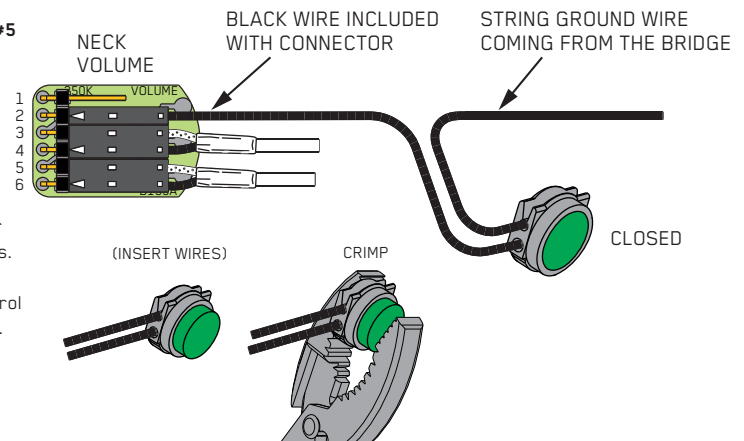


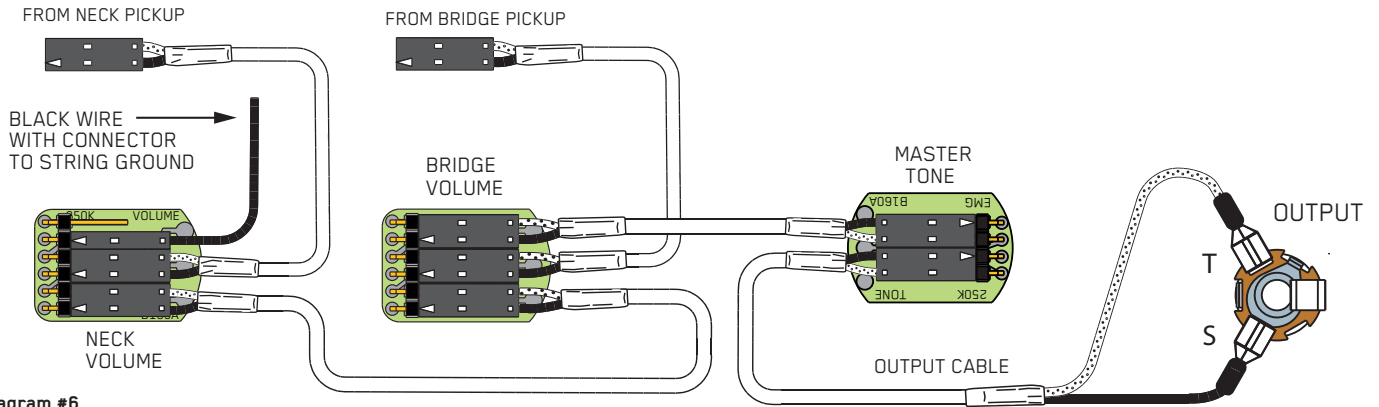
**Attaching the bridge ground wire**

**6) Refer to Diagram #5.**

As mentioned on page 1, it is common to "ground" (earth) the strings on guitars that have passive pickups. Included with the system is a black wire with a single black connector attached. Also included is an IDC connector for connecting the two wires together. Insert the bridge ground wire, and the connector wire into the IDC connector, crimp the connector with a pair of pliers until it snaps and this will connect the two wires. You don't need to strip the insulation from the wires. Push the black connector onto terminal 2 (GND) of the volume control as shown in the diagram. This will ground the strings to the system.

**Diagram #5**





**Diagram #6**  
2 Pickups  
Volume / Volume/ Tone

**If your instrument has a selection switch:**

Shown at the right is the EMG B245 Pickup Buss which is used for instruments that have 2 pickups and a 3 position selection switch. If you have a selection switch and want your installation to remain solderless, you'll need a B245 Buss. Either send an e-mail to: sales@emgpickups.com or call: 800 821-1446 to get the buss.

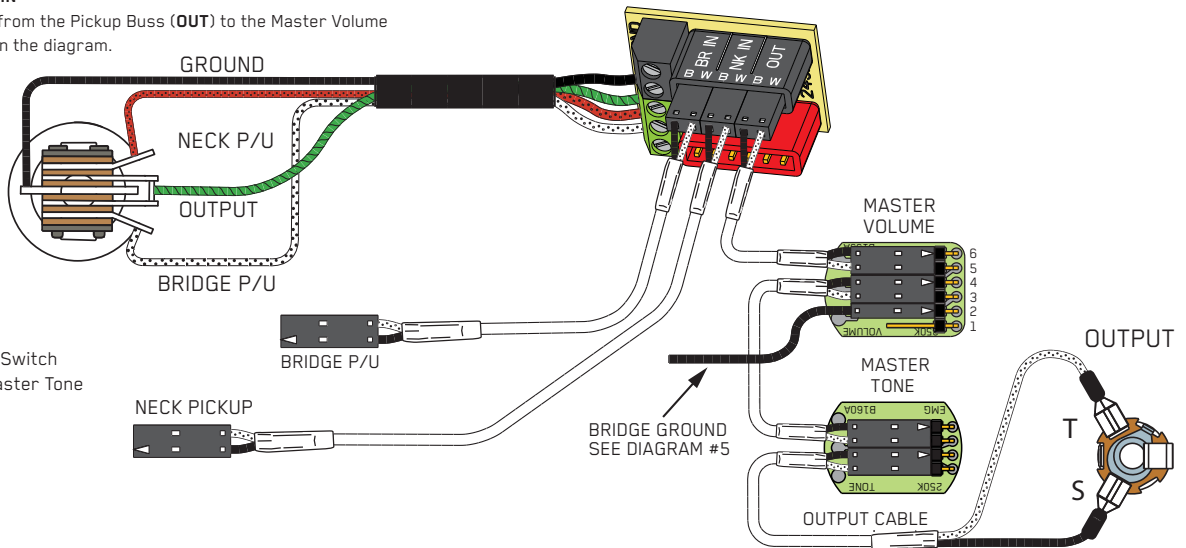
- 1) Install the Pickups and route the Pickup cables to the control cavity. If the cables are too long, wind up the excess and keep it under the pickup.
- 2) Mount the Volume and Tone controls into the body. Plug both Pickup cables into the Pickup Buss (BLACK Shroud) as shown, Refer to Diagram #5  
Bridge Pickup to **BR IN**  
Neck Pickup to **NK IN**
- 3) Plug a coax cable from the Pickup Buss (**OUT**) to the Master Volume control as shown in the diagram.

**\*\*\*\*Tips and Tricks\*\*\*\***

**Start your installation by:**

- 1) Remove the strings
- 2) Remove any existing Pickups and controls (remember the order and function of each control)
- 3) Determine a good spot for the Pickup Buss and make sure the cable or wires from the selection switch will reach the Pickup Buss,
- 4) Install the EMG Volume and Tone Controls and tighten them in.
- 5) Then install the pickups keeping any excess cable under the pickup rather than in the control cavity.

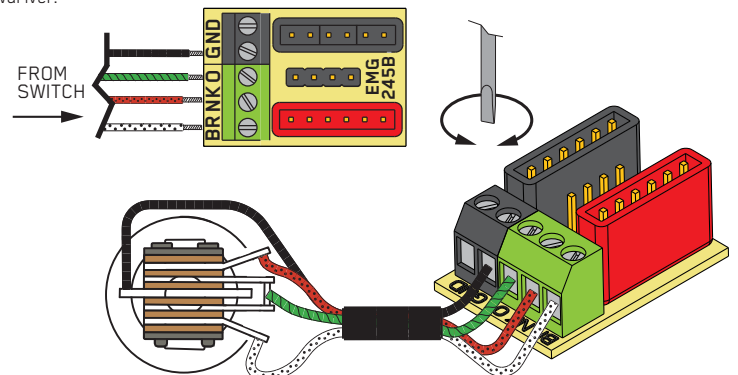
**Diagram #7**  
2 Pickups  
Toggle Style Select Switch  
Master Volume / Master Tone

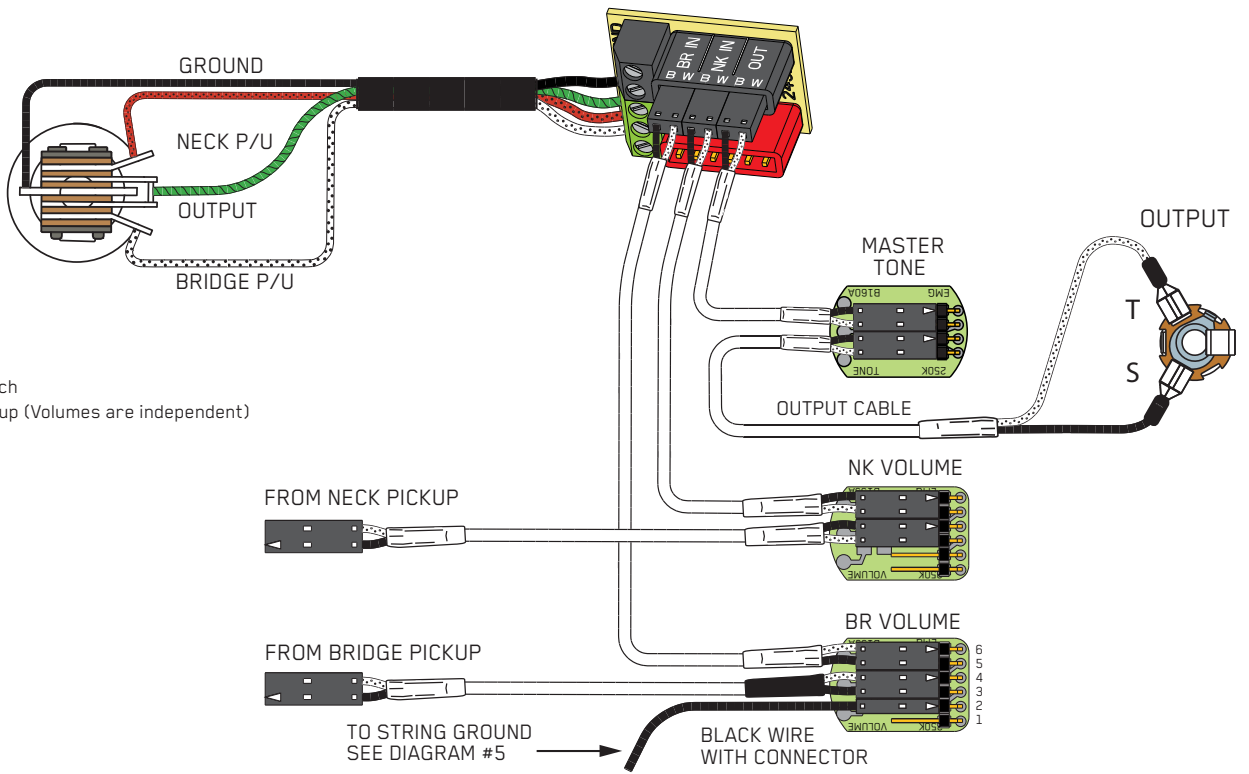


**Wiring the Selection Switch**

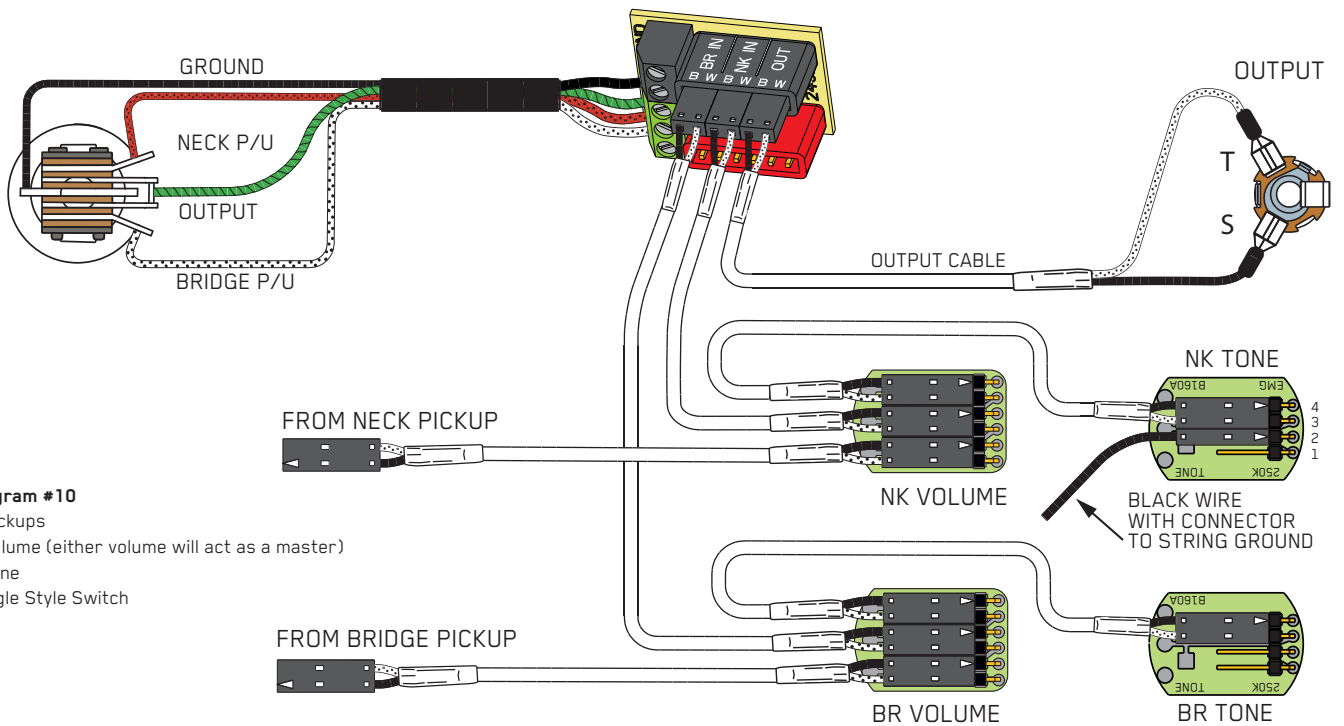
- 4) Refer to diagrams 8 and 8a, strip the insulation from the switch wires and Insert them into the GREEN Terminal Block and tighten the screws with a small screwdriver.  
The Bridge pickup to the **BR** Terminal  
The Neck pickup to the **NK** Terminal  
The Output of the switch to the **O** Terminal  
If there is a ground wire coming from the switch, insert it into one of the black (**GND**) terminals on the terminal block.
- 5) Plug the output cable onto the Master Volume control and connect the output wires to the output jack by pushing the connectors on as shown.  
**WHITE** wire onto the **TIP (T)** contact,  
**BLACK** wire onto the **SLEEVE (S)** contact  
We suggest that you plug in the instrument and test it before closing the control cavity.

**Diagram #8, 8a**





**Diagram #9**  
 2 Pickups  
 Toggle Style Switch  
 Volume each Pickup (Volumes are independent)  
 Master Tone



**Diagram #10**  
 2 Pickups  
 2 Volume (either volume will act as a master)  
 2 Tone  
 Toggle Style Switch

**Soldering to the 151 Panel Jack:**

If your instrument has a long Panel Jack like the one below you will have to solder the output cable as shown.  
 Ground (Black) to the Sleeve  
 Signal (White) to the Tip

