

KSM42 Large Dual-Diaphragm Side-Address Condenser Vocal Microphone

Overview

KSM42: This premium side-address, cardioid condenser microphone features a large dual-diaphragm capsule, optimized for world-class vocal recording and performance applications. With a tailored frequency response and extensive internal and external pop filtering, the single-pattern, dual-diaphragm design of the KSM42 exhibits exceptionally smooth proximity control and ultra-wide dynamic range. The KSM42 is the premier choice for capturing sophisticated, powerful and intimate vocal performances.

Specifications

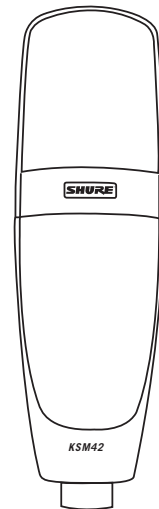
Transducer Type	Dual-Diaphragm, Front-Active, Externally Biased Condenser
Frequency Response	60 to 20,000 Hz
Polar Pattern	Cardioid
Output Impedance	147 ohms
Sensitivity (at 1 kHz, open circuit voltage)	-37 dBV/Pa (14.1 mV) 1 Pascal = 94 dB SPL
Maximum SPL (1 kHz at 1% THD)	1000 ohms load: 139 dB 2500 ohms load: 139 dB
Signal-to-Noise Ratio (referenced at 94 dB SPL at 1 kHz)	86 dB S/N ratio is difference between 94 dB SPL and equivalent SPL of self noise, A-weighted
Dynamic Range (at 1 kHz)	1000 ohms load: 131 dB 2500 ohms load: 131 dB
Common Mode Rejection (10 Hz to 100 kHz)	> 60 dB
Clipping Level (20Hz-20 kHz at 1% THD)	1000 ohms load: 6.5 dBV 2500 ohms load: 8 dBV
Self Noise (typical, equivalent SPL, A-weighted)	8.5 dB
Polarity	Positive pressure on diaphragm produces positive voltage on pin 2 with respect to pin 3
Weight	Net: 494 g. with shock mount and pop filter: 820 g
Connector	Three-pin professional audio (XLR), male
Power Requirements	11 to 52 Vdc phantom, 6 mA
Features	<ul style="list-style-type: none">• Highly consistent cardioid polar pattern creates a broad "sweet spot" and natural off-axis response• Dual-diaphragm design with an active front, ultra thin (2.5 micron) 24-karat gold, low mass, 1-inch Mylar® diaphragm• Passive back diaphragm delivers exceptional control of low frequency proximity effect• Tailored low-frequency roll-off minimizes low frequency room noise• Integrated three-stage mesh grille guards against wind and breath noise• Open cage ShureLock® rubber suspension shock mount with low-profile Popper Stopper™ magnetic pop filter produces a natural space between performer and microphone• Prethos™ Advanced Preamplifier Technology exhibits extremely low self-noise with superior dynamic range, transient response and ultra-low distortion for transparent recording• Premium electronic components and gold-plated internal and external connectors• Durable zinc die-cast housing and hardened low carbon steel grille• Internal shock mount to reduce unwanted handling and stand noise

Available Models

KSM42/SG	Includes ShureLock® Shock Mount, Popper Stopper™ Magnetic Pop Filter, Aluminium Carrying Case and Velveteen Pouch
----------	---



KSM42 Large Diaphragm Multi-Pattern Cardioid Condenser Microphone



KSM42 Microphone Front

SHURE[®]
LEGENDARY
PERFORMANCE™

www.shure.eu

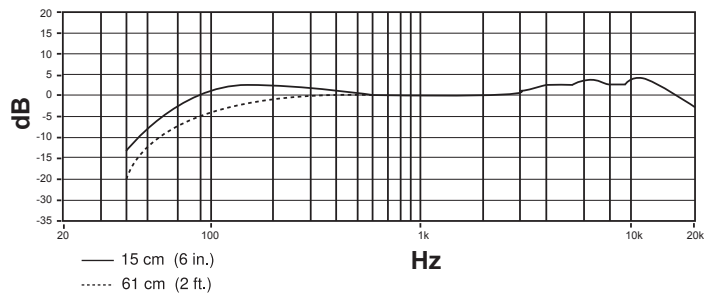
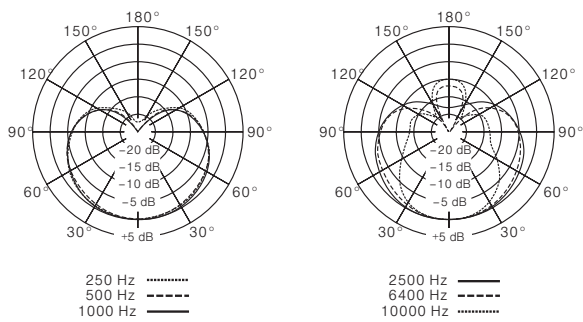
Condenser Microphone | KSM | 1

KSM42 Large Dual-Diaphragm Side-address Condenser Vocal Microphone

Accessories and Replacement Parts

A42VB	Protective Velveteen Pouch	A42SC	Aluminium Carrying Case	A42PF	PopperStopper™ Magnetic Pop Filter
A42SM	ShureLock® Rubber Suspension Shock Mount	A42OR	Suspension Mount O-rings (4)		

Polar Pattern & Frequency Response



SHURE[®]
 LEGENDARY
 PERFORMANCE™

www.shure.eu



QUALITY CAN NOT BE COPIED
 SHURE AGAINST COUNTERFEITING

© 2010 Shure Europe GmbH

07/2010

Whilst every effort has been made to ensure that the information in this document is correct, we accept no liability in respect of errors or omissions. All specifications within this document are subject to change without notice.